



HANDLING & STORAGE EQUIPMENT

PELLET HEATER, SELF-LEVELING HEATED DISPENSER

PROJECT NAME:

LOCATION:

ITEM NO:

QTY:

MODEL NO:

AIA NO:

SIS NO:

CSI SECTION:

AVAILABLE MODELS:

- ALC PEH2
- ALC PEH3

STANDARD FEATURES:

- Stainless steel is nickel-bearing, 200 series minimum, NSF recognized for corrosion resistance
- 208/220 VAC, 60 Hz, single phase, six foot grounded 20 amp power cord supplied
- (4) 5" non-marking poly swivel casters - 2 with brake
- NEMA 6-20P plug

CONSTRUCTION: Stainless steel is nickel-bearing, 200 series minimum. This material is NSF recognized for corrosion resistance. The outer unit is constructed of 18 gauge stainless steel. Inner walls are constructed of .063 high strength aluminum. All sides and lids of unit are insulated with fiberglass insulation.

LIDS: Unique hat channel design requires no gaskets.

HEATING SYSTEM: Thermostatically controlled, forced air heating system with 3200 watt element.

SELF-LEVELING DISPENSER: Individual, removable, self-adjusting and all stainless steel construction. Self-lubricating bearings ride over vertical guide rods. Available stacking height is 27-1/4".

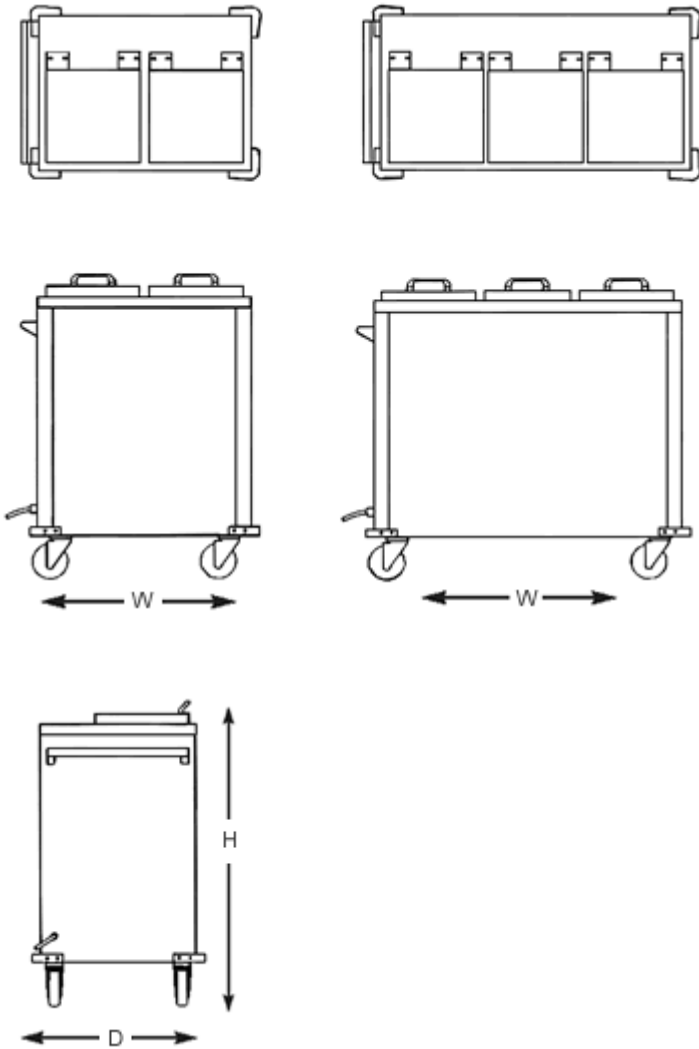
ORIGIN OF MANUFACTURE: Designed and manufactured in the United States.

ALC PEH2 Model shown.



OPTIONS/ACCESSORIES:

- 240VAC



Model No.	ALC PEH2	ALC PEH3
Width	33-3/8"	43-7/16"
Depth	23-3/4"	23-3/4"
Height	42-3/4"	42-3/4"
Caster Type	4 Swivel, 2 w/Brake	4 Swivel, 2 w/Brake
Caster Diameter	5"	5"
Watt	3200	3200
Amp	16.3 & 15	16.3 & 15
Volt	208/220, 60Hz & 240	208/220, 60Hz & 240
Thermostat Range	250 - 290°F	250 - 290°F
Case Cu. Ft.	24	31.1
Ship Wt. (lbs)	270	335