



# HANDLING & STORAGE EQUIPMENT

TRAY DISPENSER, SINGLE STACK (DOUBLE AVAILABLE ON REQUEST)

PROJECT NAME:

LOCATION:

ITEM NO:

QTY:

MODEL NO:

AIA NO:

SIS NO:

CSI SECTION:

## AVAILABLE MODELS:

- ALC TR1 – 1418
- ALC TR1 – 1323

## STANDARD FEATURES:

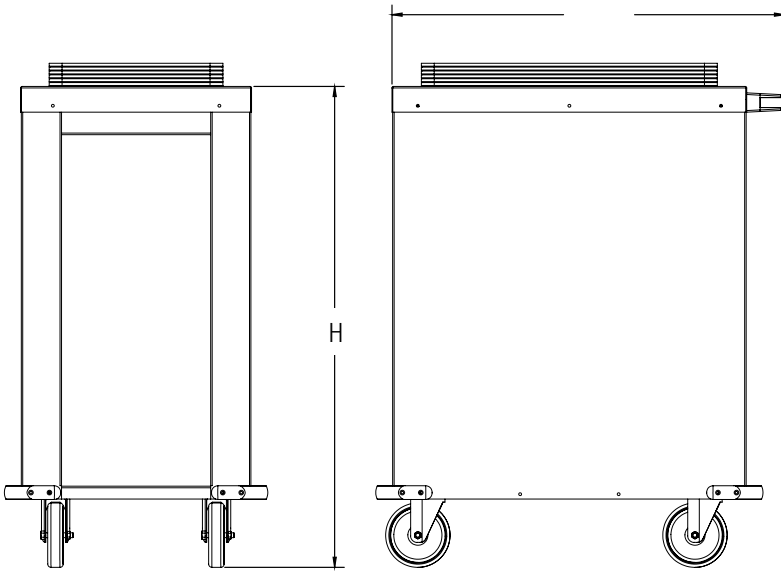
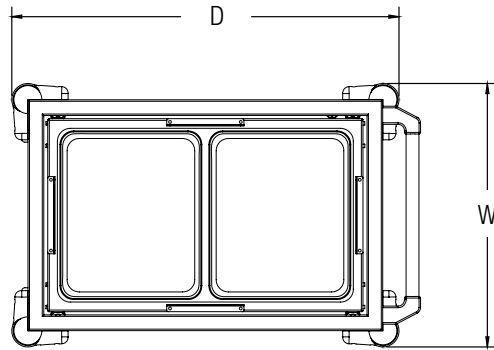
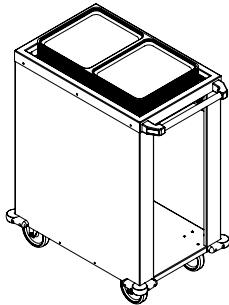
- Corner bumpers for protection
- Two rubber coated push handles for convenience
- (4) 5" non-marking poly swivel casters - 2 with brake
- Can be manufactured to fit any size tray
- Stainless steel springs can be added or removed for adjustability
- Customization available

**CONSTRUCTION:** Stainless steel is nickel-bearing, 200 series minimum. This material is NSF recognized for corrosion resistance. The platform and shelf are constructed of 16 gauge stainless steel. The top deck and body panels are constructed of 18 gauge stainless steel.

**ORIGIN OF MANUFACTURE:** Designed and manufactured in the United States.

ALC TR1 Model shown.





<b>Model No.</b>	ALC TR1-1418	ALC TR1-1323
<b>Width</b>	21-7/8"	20-1/2"
<b>Depth</b>	27-1/4"	30-1/2"
<b>Height</b>	37-3/8"	38-3/8"
<b>Caster Type</b>	4 Swivel, 2 w/Brake	4 Swivel, 2 w/Brake
<b>Caster Diameter</b>	5"	5"
<b>Tray Size</b>	14" x 18"	13-1/2" x 23"