



RANSERVE FOOD SHIELDS

PREMIUM SERIES BREATH GUARD MODEL RSW-STSSNA

Randell's Premium Series breath guard is a 1" diameter 90 degree welded tubing with a stainless steel #4 "satin" finish. The surface flange is a 1.25" x 3", with a standard cap. The single-tier, single sided design glass is a non-adjustable self service front with a glass top. Please consult factory for pricing or finish options.

PROJECT NAME:

LOCATION:

ITEM NO:

QTY:

MODEL NO:

AIA NO:

SIS NO:

CSI SECTION: 11400

AVAILABLE MODELS:

- RSW-STSSNA-24
- RSW-STSSNA-30
- RSW-STSSNA-36
- RSW-STSSNA-48
- RSW-STSSNA-60
- RSW-STSSNA-72
- RSW-STSSNA-86

NSF LISTED FINISH:

- Stainless steel #4 finish
- Other finishes available (contact factory)

GLASS:

- Standard side glass is 1/4" tempered
- Standard top and front glass is 3/8" tempered (additional leg set required after reaching 66" maximum top glass length)

LIGHT & WARMER OPTIONS:

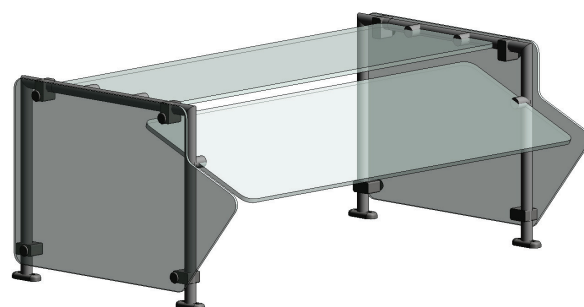
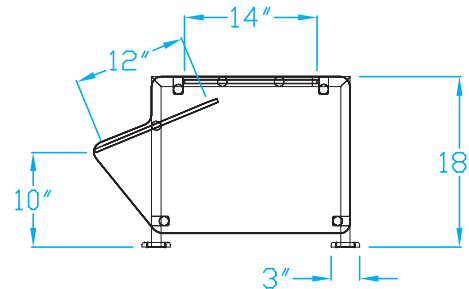
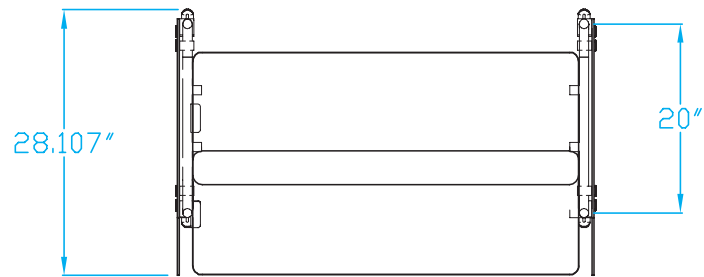
- LED light unit
- Heat only unit
- Heat and light combo unit

ORIGIN OF MANUFACTURE:

Designed and manufactured in the United States.

BREATH GUARD LENGTH GUIDE:

Unit Length	Center Line Length	Overall Length
24"	21.25"	23.75"
30"	27.25"	29.75"
36"	33.25"	35.75"
48"	45.25"	47.75"
60"	57.25"	59.75"
72"	69.25"	71.75"
86"	Contact Factory for Size Options	



Serving Lines
SP SHT1756 RevA
 Issued 06/17