



SERVING LINES, FIBERGLASS

CASHIERS STAND MODEL CA

Randell's CA Stainless Steel Top Cashiers Stand designed for virtually any cashiers application, the CA series is enclosed in brilliant one-piece fiberglass body and stainless steel top.

PROJECT NAME:

LOCATION:

ITEM NO:

QTY:

MODEL NO:

AIA NO:

SIS NO:

CSI SECTION: 11400

AVAILABLE MODELS:

- 14 GAUGE TOP: 16 GAUGE TOP:
 14GFG CA RANFG CA

AVAILABLE FIBERGLASS COLORS:

- Pitch Black
- Dark-Bark Brown
- Cabernet Wine
- British Racing Green
- Tin Man Gray
- True Blue
- Light Sky Blue
- Candy Apple Red
- Tiger Lilly Orange
- Canary Yellow
- White

STANDARD FEATURES:

- Concealed locking mechanism with easy to use spring-activated catch
- Can be rotated to operate either end or front use

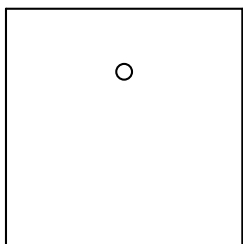
CABINET CONSTRUCTION: One-piece molded fiberglass body for smooth exterior finish. All corners and areas where accessories are mounted are reinforced internally with metal backers.

TOP CONSTRUCTION: Exterior top is standard in reinforced 14 or 16 gauge 300 series stainless steel with #4 finish.

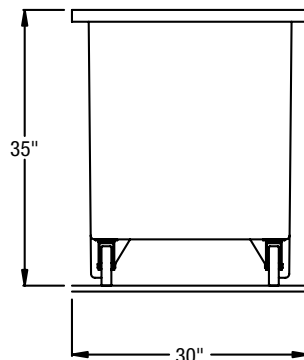
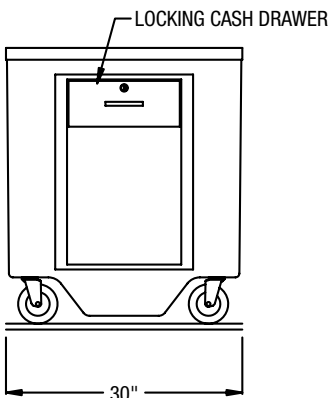
ORIGIN OF MANUFACTURE:

Designed and manufactured in the United States.

Serving Lines, Fiberglass Cashiers Stand. Model 14GFG CA shown with optional kick plate and trayslide.



MODEL	L	D	H	Ship Wt.
CA	30"	30"	35"	135



OPTIONS/ACCESSORIES:

- Canopy
- Overshelves
- Trayslides
- Corian top
- Kick Plate
- Graphics
- Sneeze Guards
- Elementary School Height
- Electrical Distribution System