

TRAY ASSEMBLY SYSTEM

TRAYSLIDE OPTIONS

Tray bridging sections are supported by shoulder pins mounted on modules with integrated tray slides. Bridge provides continuous slide for trays in front of equipment without integrated tray slides, i.e. Air Curtain, FX Refrigerated Draw (FX-1UCB).



PROJECT NAME:

LOCATION:

ITEM NO:

QTY:

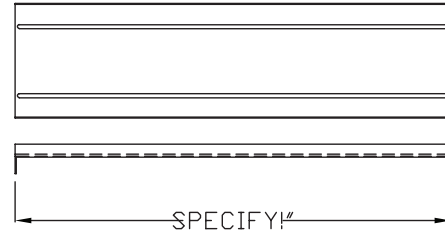
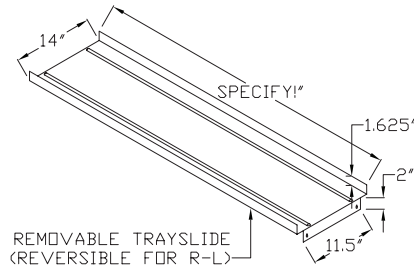
MODEL NO:

AIA NO:

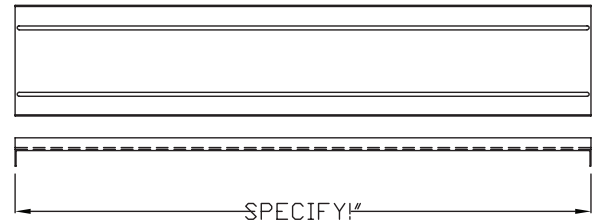
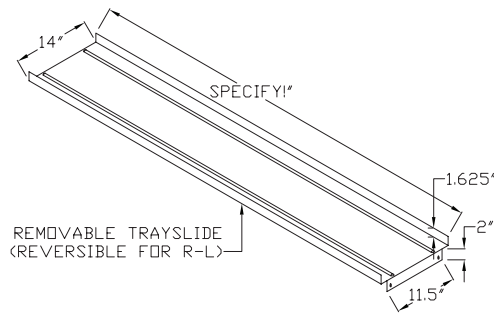
SIS NO:

CSI SECTION: 11400

- TAS INV-1**
Up to 36" long,
14" wide inverted "V"
trayslide with front lip.



- TAS INV-2**
From 37" to 60" long,
14" wide inverted "V"
trayslide with front lip.



- TAS INV-3**
From 61" to 84" long,
14" wide inverted "V"
trayslide with front lip.

