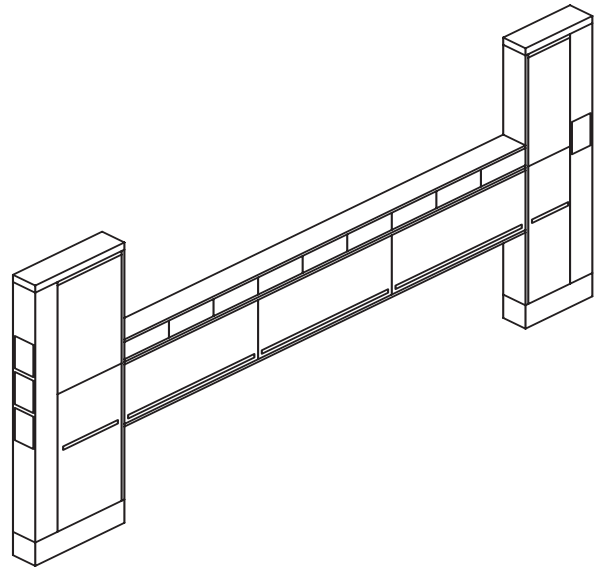


Utility Raceways M Series model MID

Description:

The M-series Raceway is a Utility Distribution System comprised of a stainless steel sheet metal housings enclosing cable bus electrical system and plumbing services that provide connections for individual appliances. Raceways with plumbing services are Listed by Underwriters Laboratories (UL) as Commercial Appliance Outlet Centers. Raceways with only electrical services are Listed by UL as Multi-outlet Assemblies. These raceways are intended primarily for use with cooking batteries, or cooking appliance line-ups, on both sides of the Raceway, or with appliances along one side and an aisle on the other side. Individual Point-of-use connection plates are located near the top along the length of the raceway.



Flat Top Shown

Specifications:

Dimensions: Horizontal Chase Width: 6" [generally for plumbing services less than 2" NPT] or 8" [generally for plumbing services 2" NPT or greater], Height: 18" – 30" plus 3-6" peaked top, Length: as required. Service Towers Width: 6-12" Height: Finished Floor to Exhaust Hood or Finished Ceiling, Length: 18" Nominal to 42" Nominal. Intermediate Pedestals Width: 5-8" Height: Finished Floor to bottom of Horizontal Chase, Length: 5-8". **Construction:** 300-series Stainless Steel. Removable panels held in place with threaded fasteners. **Electrical Data:** 30 to 150 amperes. 120/208-240 volts. Single- or three-phase. Water: 150 psig & 140° F (60° C) maximum. Gas (Natural gas or LP): 1.25 psig

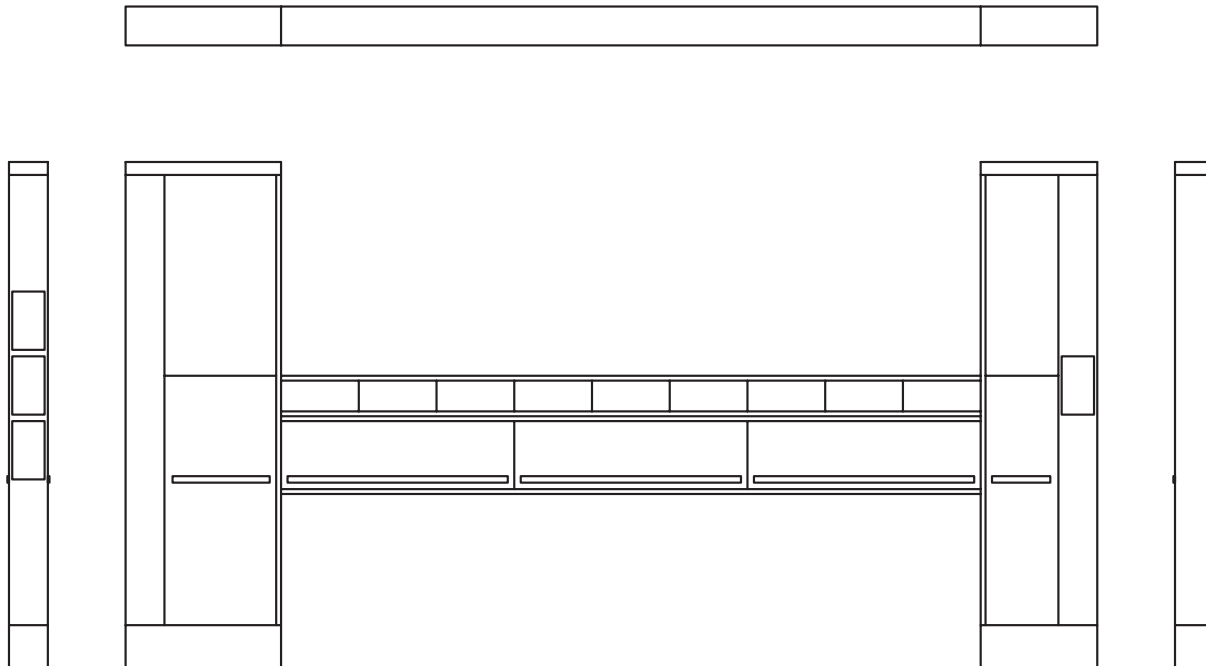
Standard Features:

- Point-of-use branch circuit protection with receptacle or flexible liquid tight metal conduit (pigtail) mounted adjacent to Point-of-use branch circuit protection on 4.5x12" connection plate. NOTE: For other voltage configurations, consult factory.
- Ground fault circuit interrupter for 15 & 20 amp, 120/1, straight blade receptacles
- Cable bus
- Copper hot and cold water supply lines, if required
- Black iron gas supply line, if required
- Black iron steam supply and condensate return lines, if required
- Quarter-turn shut-off valves on all individual connections
- Quarter-turn shut-off valves on main supply valves
- 2" High collar at top of service tower allows $\pm 1/2$ " vertical adjustment to compensate for floor and/or exhaust hood mounting irregularities

Optional Accessories:

- | | | |
|--------------------------------------------------------------------------------------------------------------------------------------------------------|---------------------------------------------------------------------------------------------------------------------------------------------------------------------------|-----------------------------------------------------------------------------|
| <input type="checkbox"/> Main electrical service circuit breaker with shunt trip | <input type="checkbox"/> Duplex convenience outlet in service tower(s) | <input type="checkbox"/> Panel mounted faucet or pot filler |
| <input type="checkbox"/> Quick-disconnect fittings for individual gas connections in addition to quarter-turn shut-off valves for movable appliances | <input type="checkbox"/> Gas delay reset (GDRI) | <input type="checkbox"/> Flat top in lieu of peaked top on horizontal chase |
| <input type="checkbox"/> Quick-disconnect fittings for individual water connections in addition to quarter-turn shut-off valves for movable appliances | <input type="checkbox"/> 120V AC fire-fuel shut-off solenoid valve(s) for gas supply. 1 1/2" And smaller located in service tower(s) (2" and larger are remotely located) | <input type="checkbox"/> Ventilation control panel mounted in tower |
| <input type="checkbox"/> Vent light switch in service tower | <input type="checkbox"/> Temperature/pressure gauge at water incoming service location | <input type="checkbox"/> Filtered water system |
| <input type="checkbox"/> Vent light switch with circuit breaker | <input type="checkbox"/> Security package (includes):
• exposed fasteners to be tamper-resistant, pin-in-head torx-head, shipped loose and installed in field | |
| | | • hinged doors equipped with eye for customer-supplied padlock |

Front, Top & Side Views



Flat Top Shown

