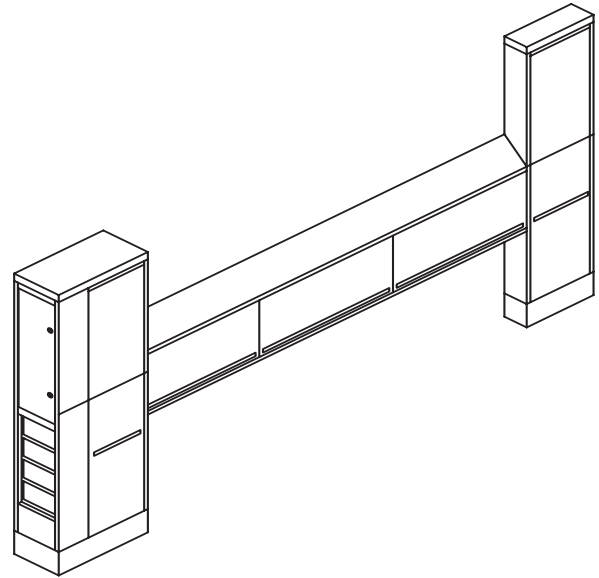


Utility Raceways R Series model RWD

Description:

The R-series Raceway is a Utility Distribution System comprised of a stainless steel sheet metal housing enclosing electrical and plumbing services that provide connections for individual appliances. Raceways with plumbing services are Listed by Underwriters Laboratories (UL) as Commercial Appliance Outlet Centers. Raceways with only electrical services are Listed by UL as Multi-outlet Assemblies. These raceways are intended primarily for use behind a cooking battery, or cooking appliance line-up. Individual Point-of-use connection plates are located on the bottom along the length of the raceway.



Specifications:

Dimensions: Horizontal Chase Width: 6" [generally for plumbing services less than 2" NPT] or 8" [generally for plumbing services 2" NPT or greater], Height: 18" – 36" plus 3-8" peaked top, Length: as required. Service Towers Width: 6-12" Height: Finished Floor to Exhaust Hood or Finished Ceiling, Length: 18" Nominal to 42" Nominal. Intermediate Pedestals Width: 5-8" Height: Finished Floor to bottom of Horizontal Chase, Length: 10". **Construction:** 430-series Stainless Steel. Removable panels held in place with threaded fasteners. **Electrical Data:** 50 to 225 amperes. 120/208-240/480 volts, single or three-phase. Water: 150 psig & 140° F (60° C) maximum. Gas (Natural gas or LP): 1.25 psig.

Standard Features:

- End mounted panel-board in service tower-125 amp maximum with main service breaker, 100 amp maximum with main service breaker. Maximum twenty-four (24) circuit breaker pole spaces available [four (4) positions used by main service breaker with shunt-trip]
- Receptacle or flexible liquid tight metal conduit (pigtail) mounted on 5X9" connection plates located along the bottom of the length of the horizontal chase
- Ground fault circuit interrupter for 15 & 20 Amp, 120/1, straight blade receptacles
- Copper hot and cold water supply lines, if required
- Black iron gas supply line, if required
- Quarter-turn shut-off valves on all individual connections
- 2" High collar at top of service tower allows $\pm 1/2$ " vertical adjustment to compensate for floor and/or exhaust hood mounting irregularities

Optional Accessories:

- Quick-disconnect fittings for individual gas connections in addition to quarter-turn shut-off valves for movable appliances
- Quick-disconnect fittings for individual water connections in addition to quarter-turn shut-off valves for movable appliances
- Vent light switch in service tower
- Duplex convenience outlet in Service tower(s)
- Gas delay reset (GDRI)
- 120V AC fire-fuel shut-off solenoid valve(s) for gas supply. 1 1/2" And smaller located in service tower(s) (2" and larger are remotely located)
- Ventilation system control panel
- Temperature/pressure gauge at water incoming service location
- Security package (includes):
 - exposed fasteners to be tamper-resistant, pin-in-head torx-head, shipped loose and installed in field
 - hinged doors equipped with eye for customer-supplied padlock

- Dormer mounted faucet or pot filler
- Dormer mounted point-of-use connection plate

Optional Electrical:

- 100 To 225 amperes ,480Y/277 volts, three-phase, Four-wire. Eighteen (18) single-pole positions (100 amp maximum)
- Main service breaker with shunt trip available. (Does not use any of the available branch breaker positions.)

Front, Top & Side Views

