



# SKEWER SOAK

## SKEWER WASHING SYSTEM MODEL SKS-70

The Skewer Soak System is a skewer washing system with wash jets located, evenly spaced, every 6" along the back wall of the wash tank. The patented Parallel Wash System's washing wave action continuously rotates skewers in hot soapy water removing baked-on food soils and virtually eliminates hand scrubbing to provide unparalleled results with an excellent ROI.

PROJECT NAME:

LOCATION:

ITEM NO:

QTY:

MODEL NO:

AIA NO:

SIS NO:

CSI SECTION: 11400

### AVAILABLE MODELS:

- SKS-70L-208-3 (208 Volt/3-Phase)
- SKS-70L-230-3 (230 Volt/3-Phase)
- SKS-70L-240-3 (240 Volt/3-Phase)
- SKS-70R-208-3 (208 Volt/3-Phase)
- SKS-70R-230-3 (230 Volt/3-Phase)
- SKS-70R-240-3 (240 Volt/3-Phase)

### STANDARD SPECIFICATIONS:

- Available left to right (L) or right to left (R) operation - 34" front to back overall, 69.5" overall length
- All tanks and tabling, 14 gauge, 304 stainless steel
- System conforms to ANSI/NSF Standard 2 with all welds to be heliarc (TIG) welds
- Backsplash to be 9.5" overall height - 6" vertical with 45 degree angle to wall with 1-1/2" turn up
- 1' end splash
- Wash tank shall be 28.75" I.D. front to back by 19" deep - 42", left to right or right to left operation
- Parallel Wash Flow with low profile wash jets spaced every 6" flush along the back wall of wash tank & above the wash pump intake
- 2 HP Wash Pump Motor (30-48" Tank) with stainless steel impeller, intake, pump housing and wash manifold
- Pump intake to run full length of the rear of the wash tank below wash jets
- Pump housing fully self-draining with no use of drain line or valve
- Dual liquid high & low water level sensors
- 7000 watt wash tank heater. Maintain wash tank temperature at 123° +/- 1/2 ° F
- Chemical injection points pre-drilled at factory
- Removable rotating skewer carousel with clips to hold skewers in place during washing
- Skewer carousel holds 16 skewers
- Perforated work tray to run full length of wash tank for rinsing of washed skewers
- Stainless steel hinged wash tank cover
- 3/4" combination pre-rinse with high flow faucet

- Sanitizer tank shall be 28.75" I.D. front to back by 19" deep - 13", left to right or right to left operation
- Bottom of wash tank to be creased to facilitate draining
- Drains and faucets included, but optional

### CONTROLS:

PS-200: Wash tank heat monitoring and sanitizer tank monitoring

- Low voltage power is supplied to all operator controls and sensors
- Operator controls - Green (ON) / Red (OFF) buttons
- Automatically monitors and regulates the wash water temp
- Monitors high and low liquid levels in both the wash tank and sanitizer tank
- Meets UL 50, category 4X specifications

### ELECTRICAL CONNECTION OPTIONS:

WASH TANK SIZES 42"

- 208V/60/1, 45.1 Amps
- 230V/60/1, 39.8 Amps
- 480V/60/3, 11.6 Amps

### WARRANTY:

Three year parts and three year labor warranty from the date of shipping (USA only)

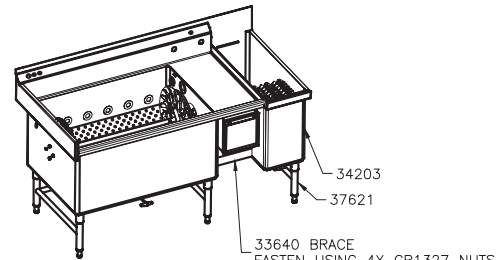
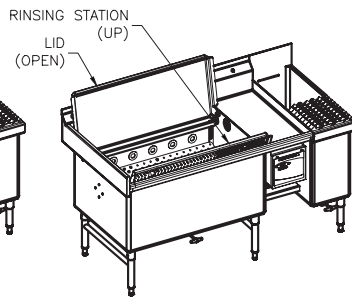
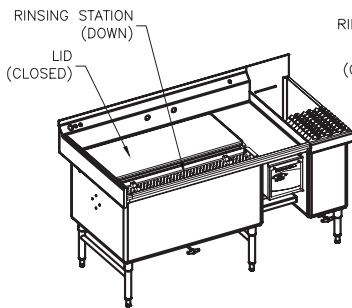
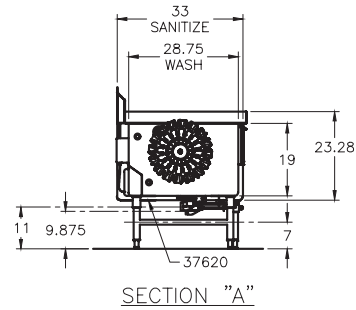
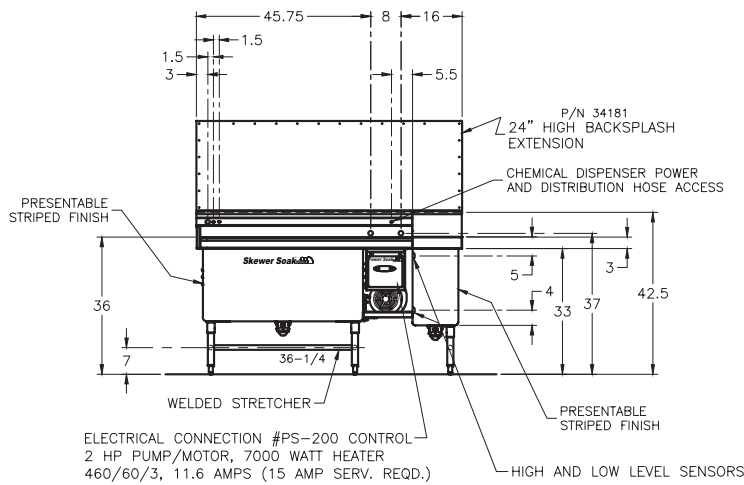
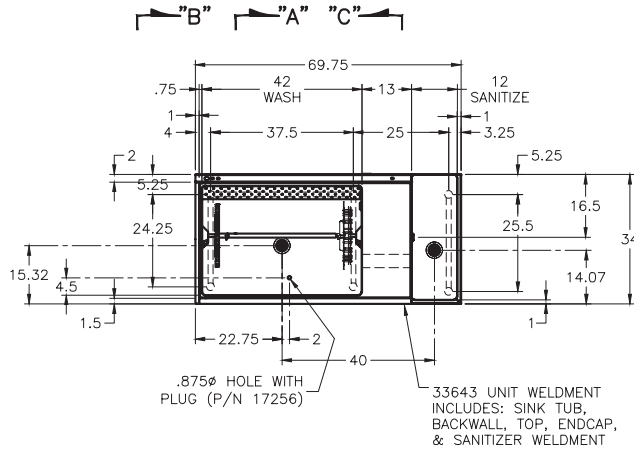
### ORIGIN OF MANUFACTURE:

Designed and manufactured in the United States.



### OPTIONAL ACCESSORIES:

- Hemmed end splash
- 1" end splash
- Channel end splash
- Backsplash end splash
- Filled end splash
- Turned up back splash
- Turned down back splash with "z" clips
- Back splash extensions
- Welded field joint
- Mechanical filed joint (JBZ)
- Welded leg sets
- Over shelves
- Automatic chemical dispenser



NOTE: LID (P/N 33587) AND TRAY (P/N 33584) NOT SHOWN FOR CLARITY

