



REACH-IN

SLIDE-TOP RECESSED COLD-WALL DEEP WELL REFRIGERATOR MODELS 4000DWR-290

Self-contained refrigerated deep well storage with wrapped coldwall opening. Recessed 16 gauge stainless steel top and covered corner interior includes drain for cleaning. Environmental safe R-290 refrigeration system is SNAP compliant (0) ozone depletion (ODP) and (3) global warming potential (GWP). Includes precise temperature electronic control and cordset for 115v operation. Top opening is constructed using wrapped refrigeration with foamed in place urethane insulation. Unit includes removable sliding poly covers and heavy duty locking casters.

PROJECT NAME:

LOCATION:

ITEM NO:

QTY:

MODEL NO:

AIA NO:

SIS NO:

CSI SECTION: 11400

AVAILABLE MODELS:

- 4337DWR-290
- 4939DWR-290

STANDARD FEATURES:

- Self-contained refrigeration system with electronic control, system utilizes "CFC free", R-290 refrigerant
- Stainless steel covered corner interior
- Stainless steel top with removable sliding poly covers
- 8' cordset provided
- 6" heavy duty casters (2 locking)
- SNAP compliant (0) ozone depletion (ODP) and (3) global warming potential (GWP).

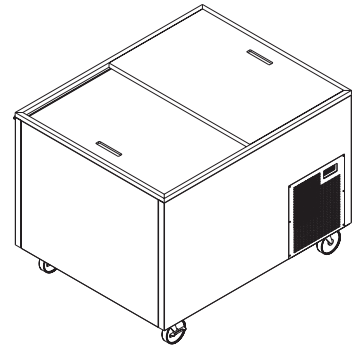
UNIT EXTERIOR: Sides panels to be 16 gauge stainless steel. Top to have opening with recessed cold-wall storage, fitted with removable poly sliding covers. Body exterior to be corrosion resistant steel.

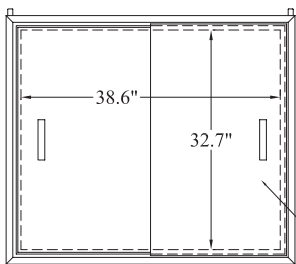
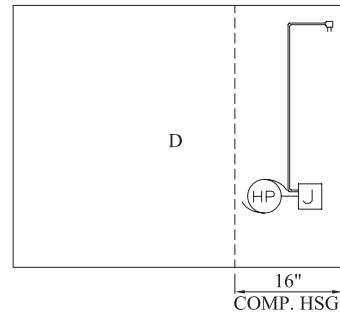
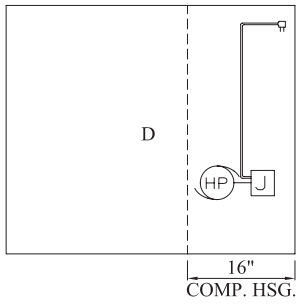
UNIT INTERIOR: Interior to be stainless steel, with covered corner construction and drain for easy cleaning. Insulation to be CFC free, foamed in place polyurethane.

REFRIGERATION: SNAP compliant (0) ozone depletion (ODP) and (3) global warming potential (GWP), R-290 refrigeration system to be wrapped refrigeration construction. Condensing unit, and electronic control for operator adjustability mounted just inside removable louvered panel mounted to unit body. 8' cordset (NEMA 5-15P) supplied for 115V operation.

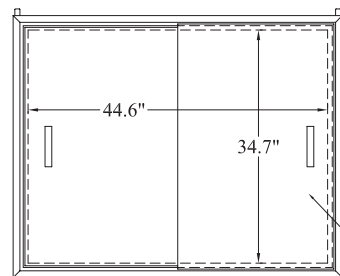
This equipment is intended for use in rooms having an ambient temperature of 86°F (30°C) or less.

ORIGIN OF MANUFACTURE: Designed and manufactured in the United States.

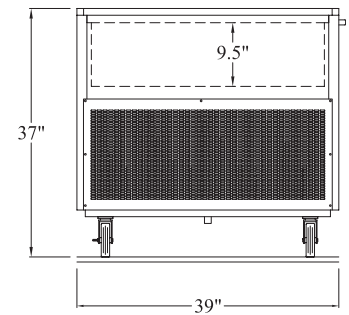
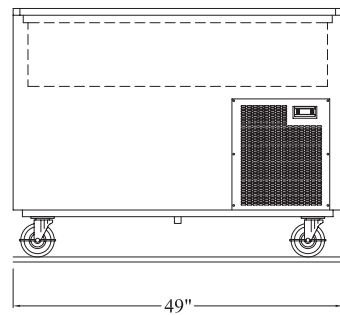
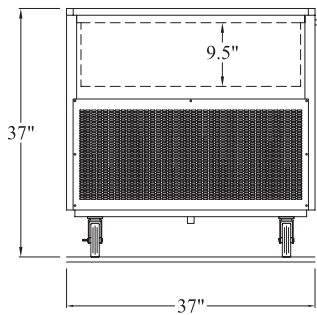
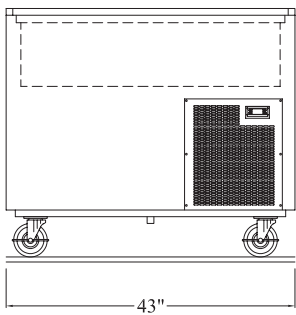




43" X 37" OPEN TOP REFRIG.
16GA S/S INTERIOR & EXTERIOR
W/POLY SLIDING COVERS



49" X 39" OPEN TOP REFRIG.
16GA S/S INTERIOR & EXTERIOR
W/POLY SLIDING COVERS



Model	L	D	H	No. of Openings	Storage per cavity Cu. Ft.	HP	Volt	Amps	NEMA	Ship Wt.
4337DWR-290	43"	37"	37"	1	7.15	1/4	115/60/1	1.7	5-15P	288
4939DWR-290	49"	39"	37"	1	8.7	1/4	115/60/1	1.7	5-15P	330