



CHINOOK VALUE VENTILATION

EXHAUST ONLY FILTER MODEL VCP

The Avtec model VCP is an exhaust only close proximity cap style conveyor oven canopy specifically designed for maximum capture with minimum exhaust. Canopy is mounted above the oven so that the oven can be rolled in and out for ease of cleaning and service. This model is intended for use with all makes and models of electric and gas conveyor ovens. The VCP is designed as a Type I grease hood.

SHORT FORM SPEC: The Avtec model VCP hood is a low proximity double eyebrow hood designed for use over conveyor pizza ovens. The filters are mounted above and parallel to the oven openings to maximize capture and minimize exhaust. The VCP model hood is designed as a Type I or Type II installations over single, double, and triple deck ovens.

STANDARD FEATURES:

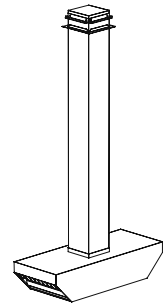
- Stainless steel construction on all visible surfaces
- UL Listed aluminum grease filters
- Canopy designed to match oven model
- Hanging brackets
- Exhaust collar provided
- Removable grease trough(s) and cup(s)
- Type 1 all welded hood construction

SPECIFICATIONS:

A single shell, direct draw cap style canopy specifically designed to ventilate conveyor ovens. The canopy is constructed of stainless steel on all exposed surfaces and aluminized steel on all non-exposed surfaces. Canopy is to meet NSF standards for construction and UL 710 standards for operation. Canopy shall have fluid welded exterior joints and seams. Canopy construction shall conform to NFPA 96 standards. All exposed welds are to be ground and polished to match finish requirements. Hanging brackets provided to hang hood one half inch above the oven. A clean out door shall be located in the bottom center of the canopy. Round or square duct is available upon request. UL Listed aluminum baffle style grease filters are located over both the loading and landing ends of the oven and shall be easily removable for cleaning.

Certifications:

PROJECT NAME:	
LOCATION:	
ITEM NO:	
QTY:	
MODEL NO:	
AIA NO:	
SIS NO:	
CSI SECTION:	11400



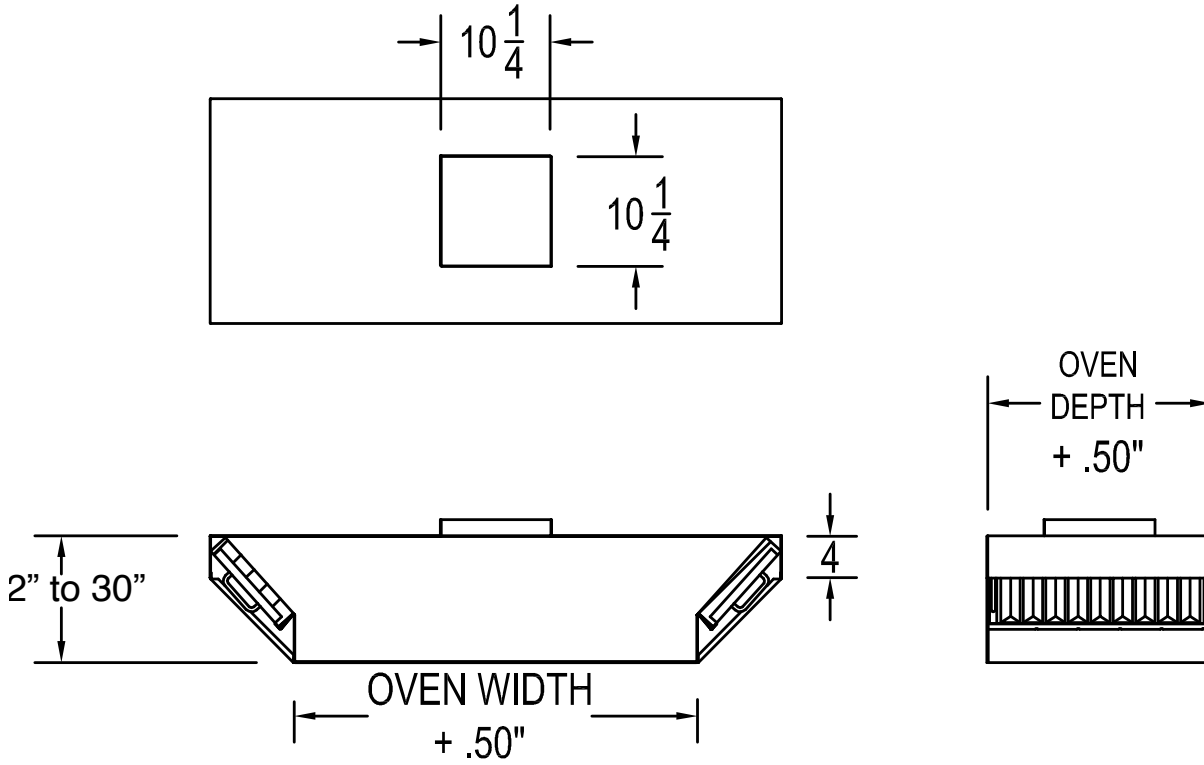
Model VCP shown

OPTIONS/ACCESSORIES:

- All 300 series stainless steel construction
- EcoAzur Energy Management System
- UL Listed exhaust volume damper
- Pre-plumbed fire suppression
- Insulated 3" air space
- Stainless steel top enclosure
- Stainless wall panel
- Exhaust fan/cooking equipment interlock
- Recessed LED lights
- Switch Panel

ADDITIONAL RESOURCES:

- [Request A Quote](#)
- [Product Videos](#)
- [Sales Tools](#)
- [Find A Rep](#)



Hood size is based on make and model of oven. Contact factory for design specifics for your make and model of pizza oven. Consult factory for specific exhaust CFM and collar size.