

INSTRUCTION SHEET

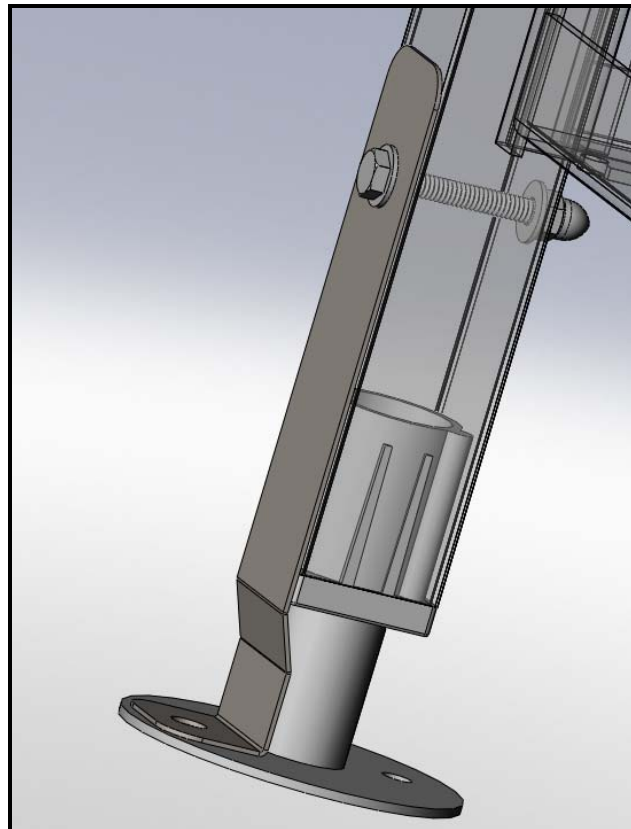
Flanged Foot/Seismic Mounting Kit Assembly and Mounting

Introduction:

The 159930 Flanged Foot/Seismic Mounting Kit is shipped in kit form for field installation on steamer and other style equipment stands that have 2-1/2 inch square tubular legs. The instructions below will guide you through the process of attaching the flanged feet and installing the seismic straps. All of the hardware required to attach the seismic straps to the stand legs is supplied in the kit.

1.0 Flanged Foot Installation

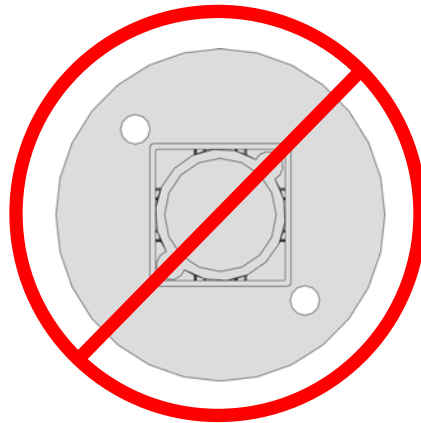
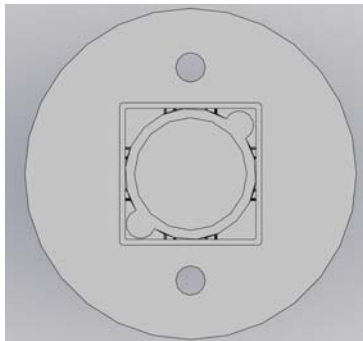
1.1 Determine the position location most appropriate for the steamer or stand. Inspect the floor to ensure it is reasonably level and clean. The four support legs will be bolted to the floor through the flanged feet supplied in the kit. A seismic strap will be secured under one of the flange bolts (as shown) and then attached to the leg with the enclosed hardware to complete the installation. Anchors and floor mounting bolts are not included in the kit, as they will vary by site and type of floor present.



Item No	Part No	Description	Qty
1	159917	Strap, Seismic, for 1-1/2" Square Tubular Leg	4
2	156055	Screw, Hex Head, 1/4-20 x 2"	4
3	090567	Nut, Dome, 1/4-20	4
4	005472	Washer, Plain, 1/4"	8
5	097615	Foot Insert, Flanged	4

1.2 Remove the four bullet foot inserts supplied with the steamer or stand. The feet are force fit into the legs and can be knocked out using a mallet.

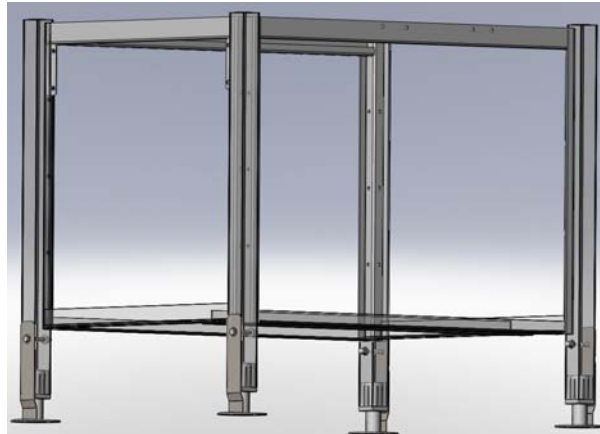
1.3 Install the four Flanged Foot Inserts (Item 5) into the legs where the bullet feet were removed. Move the steamer or stand to its correct location and adjust the flanged feet to level the appliance. When adjusting the flanged feet, make sure that the mounting holes are centered on two faces of the leg as shown below. Mark the mounting hole locations on the floor for installing anchors.



1.4 The mounting holes are 5/16" in diameter and intended for 1/4" lag screws. Drill for the anchors and install the steamer or stand. Place the tab end of a seismic strap (Item 1) under each lag screw and tighten the screws.

1.5 Center the upper portion of the seismic strap on the face of each leg and drill a 5/16" hole through each leg. Secure the straps to the legs using the four Hex Head Screws (Item 2), the eight 1/4" Washers (item 4) and the four Dome Nuts (Item 3).

1.6 The completed installation should appear similar to the illustration below:



1055 Mendell Davis Drive, Jackson, MS 39272 • 888.994.7636 • 888.864.7636 • unifiedbrands.net
ADDITIONAL MANUFACTURING LOCATION: 525 SOUTH COLDWATER ROAD, WEIDMAN MI 48893
© 2009 Unified Brands. All Rights Reserved. Unified Brands is a wholly-owned subsidiary of Dover Corporation.