



DIRECT STEAM KETTLE

PEDESTAL MOUNTED STATIONARY MODEL PT

Kettle shall be a Groen Model PT (Specify 20, 40, 60, 80, 100, 125 or 150-gallon) stainless steel, 2/3 steam jacketed unit operation from direct steam.

PROJECT NAME:

LOCATION:

ITEM NO:

QTY:

MODEL NO:

AIA NO:

SIS NO:

AVAILABLE MODELS:

- PT-20 (20 GALLON)
- PT-40 (40 GALLON)
- PT-60 (60 GALLON)
- PT-80 (80 GALLON)
- PT-100 (100 GALLON)
- PT-125 (125 GALLON)
- PT-150 (150 GALLON)

CONSTRUCTION: Kettle shall be of type 316 stainless steel, with solid one-piece welded construction. Unit shall be provided with a heavy, durable bar rim with a continuous seal weld on the underside to ensure maximum durability and sanitation. Unit provided with faucet bracket as standard.

FINISH: Interior of kettle shall be polished to a 180 emery grit finish. Exterior of kettle shall be finished to a bright high buff finish, ensuring maximum ease in cleaning and maintaining brilliant appearance.

ASME CODE: Unit shall be ASME shop-inspected, stamped and registered with the National Board for operation up to a maximum working pressure of 25 PSI.

SANITATION: Unit shall be designed and constructed to be NSF-listed, meeting NSF and all known health department and sanitation codes.

DRAWOFF: Unit shall have a 2" sanitary tangent drawoff which is a 316 stainless steel compression disc drain valve, for easy disassembly without tools. Larger 3" drawoff available. The drain outlet shall be equipped with a removable 1/4" perforated stainless steel strainer.

COVER: Cover furnished on 40-gallon and smaller units shall be hinged dome one-piece cover. 60 to 150-gallon units shall be furnished with No. 51 counterbalanced actuator, designed to maintain the cover in an open or closed position.

STEAM PRESSURE: Kettle shall operate dependably at any steam pressure between 5 and 25 PSI. Higher working pressures available.

MOUNTING: Unit shall be mounted on an all stainless steel pedestal base, with the outer circumference of the pedestal flanged down vertically to ensure proper sealing to the floor or deck.

INSTALLATION: Remote steam source required. Steam trap assembly is required and not provided unless ordered as an option. See dimension R on other side for steam inlet size and number.

ORIGIN OF MANUFACTURE: Designed and manufactured in the United States.

Stainless Steel 2/3 Steam Jacketed Kettle, Pedestal Mounted, Stationary, Direct Steam, 20 to 150-gallon capacities. Model PT-40 shown.

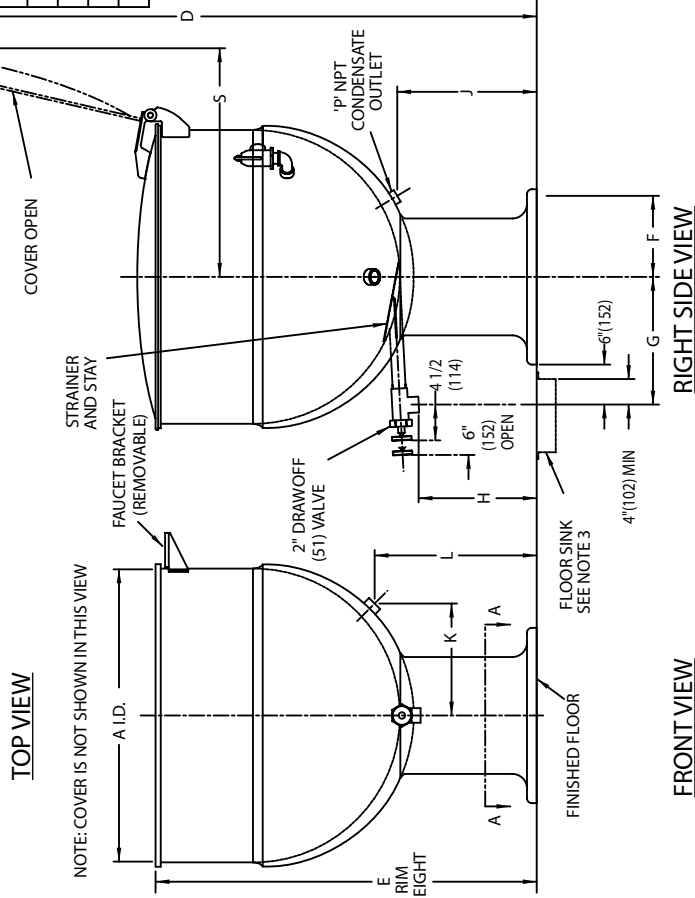
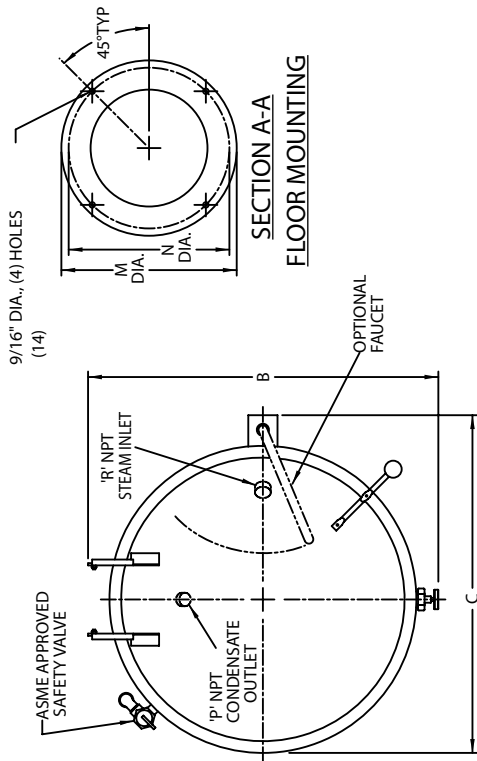


OPTIONS/ACCESSORIES:

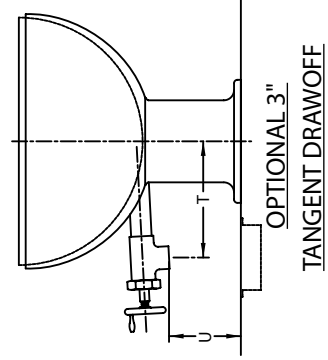
- Basket inserts (TRI-BC)
- Single pantry water faucet
- Double pantry water faucet
- Higher working pressure
- 3" tangent drawoff
- 1/8" perforated disc strainer
- 1/4" perforated disk strainer
- Solid disc strainer
- Cold water jacket cooling
- Steam trap assemblies
- Kettle brush kit
- Steam regulators
- Contour measuring strip
- Gallon etch marks
- Contour measuring strip
- Gallon etch marks

TABLE OF DIMENSIONS

GAL. CAP.	20		40		60		80		100		125		150		
	INCH	MM	INCH	MM	INCH	MM	INCH	MM	INCH	MM	INCH	MM	INCH	MM	
DIM.	A	20	504	26	660	30	762	32	813	36	914	38	965	42	1067
	B	26 1/4	667	31 3/4	806	36	914	39	991	40	1016	42	1067	46	1168
	C	22	559	28	711	32	813	34	864	38	965	40	1016	44 1/2	1130
	D	59	1499	65	1651	67	1702	73	1854	77	1956	83	2108	86	2184
	E	36	914	36	914	39	991	43	1092	44	1118	48	1219	48	1219
	F	5 1/2	140	7	178	8	203	8	203	8	203	12	305	12	305
	G	12	305	13 1/4	343	14 1/2	368	14 1/2	368	14 1/2	368	17 1/2	445	17 1/2	445
	H	15 1/2	400	11 3/4	298	11 3/4	298	11 3/4	298	11 3/4	298	11 3/4	298	11 3/4	298
	J	17	432	14	356	13 1/2	343	14	356	14	356	16	406	16 1/2	419
	K	8	203	10 1/4	260	11 1/2	292	12 1/4	311	13 1/2	343	14 1/4	362	15 3/4	362
	L	18 3/4	476	15 3/4	400	16 1/4	413	16 1/2	419	17 1/2	445	17 1/2	445	18	457
	M	12	305	16	406	18	457	18	457	18	457	24	610	24	610
	N	10 1/4	260	14 1/2	368	16 1/2	419	16 1/2	419	16 1/2	419	22 1/2	572	22 1/2	572
	P	1/2	13	1/2	13	1/2	13	3/4	19	3/4	19	3/4	19	3/4	19
	R	1/2	13	3/4	19	3/4	19	1	25	1	25	1	25	1	25
	S	18	457	25	635	-	-	-	-	-	-	-	-	-	-
	T	14	356	16	406	17	432	17	432	17	432	20	508	20	508
	U	14 3/4	375	10 3/4	273	10 3/4	273	10 3/4	273	10 3/4	273	10 3/4	273	10 3/4	273



- NOTES:
1. MODEL #51 COUNTERBALANCED COVER FURNISHED ON KETTLES MEASURING 60 GALS. AND LARGER.
 2. KETTLE MUST BE SECURELY ANCHORED TO THE FLOOR.
 3. POSITION CENTER OF TANGENT DRAWOFF SPOUT 4-5" OVER FLOOR SINK FOR PROPER OPERATION.
 4. DIMENSIONS IN BRACKETS () ARE MM.



P/N 123000 REV A