



FLOOR KETTLES

STATIONARY ELECTRIC MODEL EE

Kettle shall be a Groen Model EE (Specify 20, 40, 60, 80 or 100 gallon) stainless steel, self-contained, steam jacketed unit operating from an electric heated steam source contained within unit.

PROJECT NAME:

LOCATION:

ITEM NO:

QTY:

MODEL NO:

AIA NO:

SIS NO:

AVAILABLE MODELS:

- EE-20 (20 GALLON)
- EE-40 (40 GALLON)
- EE-60 (60 GALLON)
- EE-80 (80 GALLON)
- EE-100 (100 GALLON)

CONSTRUCTION: Kettle proper shall be of type 316 stainless steel, solid one-piece welded construction. All exposed surfaces shall be stainless steel. All controls shall be contained within the cabinet. Kettle body is sheathed in stainless steel and air gap insulated. Faucet mounting bracket is standard.

FINISH: Interior of kettle shall be polished to a 180 emery grit finish. Exterior of kettle shall be finished to a #3 finish, ensuring maximum ease in cleaning and maintaining brilliant appearance.

ASME CODE AND UL LISTING: Unit shall be ASME shop inspected, stamped and registered with the National Board for operation up to a maximum working pressure of 30 PSI. Unit shall be UL listed for sale in USA and Canada. Unit shall be registered in Canada with a CRN number.

SANITATION: Unit shall be designed and constructed to meet NSF and known health department and sanitation codes, and be NSF listed.

DRAWOFF: Unit shall have a 2" sanitary tangent drawoff with a 316 stainless steel compression disk drain valve for easy disassembly without tools. Larger 3" drawoff available. The drain outlet shall be equipped with a removable 1/4" perforated stainless steel strainer.

COVER: Cover shall be a one-piece, hinged design dome cover on units up to 40 gallons. 60-100-gallon units shall have a one-piece domed cover with No. 51 counter balanced spring-assisted actuator.

CONTROLS: All controls shall be contained in a stainless steel enclosure within easy reach of the operator. Controls include a thermostat, pilot light, pressure/vacuum gauge, contactor, water level sight glass, safety valve and low water cut-off.

SELF-CONTAINED STEAM SOURCE: Kettle shall have an electric, self-contained steam source to provide kettle temperatures from 150 to approximately 270°F. Unit shall be factory charged with chemically-pure water and rust inhibitors to ensure long life and minimum maintenance.

PERFORMANCE: Unit to be thermostatically controlled to shut off automatically when desired temperature is reached and turn on when product temperature falls below desired setting. Outer sheathing and air insulating gap retains heat and keeps kettle exterior cooler to the touch.

INSTALLATION: Unit requires single electrical connection. Specify 208, 240, or 480 Volt, three phase, 50 or 60 HZ. 20 and 40 gallon models available in single phase.

ORIGIN OF MANUFACTURE: Designed and manufactured in the United States.

Stainless Steel Steam Jacketed Kettle, Floor Mounted, Stationary, Self-Contained, Electric Heated, 20,40,60,80 or 100- Gallon Capacity. Model EE-40 shown.



OPTIONS/ACCESSORIES:

- 3" tangent drawoff valve with 1/4" perforated disk strainer
- 1/8" perforated disk strainer
- 1/4" perforated disk strainer
- Solid disk strainer
- Basket inserts (TRI-BC)
- Swing faucets
- Automatic water filler
- Kettle brush kit
- Contour measuring strip
- Gallon etch marks
- Single Phase Terminal Block Kit

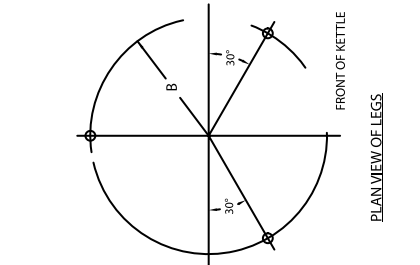
TABLE OF DIMENSIONS
CAPACITY (GALLONS/LITRES)

DIM'S.	20/76			60/228			80/304			100/380		
	IN.	MM	IN.	MM	IN.	MM	IN.	MM	IN.	MM	IN.	MM
A	20	508	26	660	30	762	32	813	32	813	32	813
B	24	610	30	762	34	864	36	914	36	914	36	914
C	26	660	32	813	36	914	38	965	38	965	38	965
D	21-3/4	552	24-3/4	629	26-3/4	679	27-3/4	705	27-3/4	705	27-3/4	705
E	13	330	10	254	10	254	10	254	6	152	6	152
F	9	229	6	152	6	152	6	152	6	152	6	152
G	37	940	37	940	40	1016	44	1118	50	1270	50	1270
H	60	1524	66	1676	68	1727	74	1879	80	2032	80	2032
J	16	406	12	305	12	305	12	305	12	305	12	305
K	18	432	25	508	22	559	23	584	23	584	23	584
L	32-1/8	816	38-1/8	968	42-1/8	1070	44-1/8	1121	44-1/8	1121	44-1/8	1121
M	15	381	11	279	11	279	11	279	11	279	11	279
N	17-3/4	451	20-3/4	527	22-3/4	578	23-3/4	603	23-3/4	603	23-3/4	603

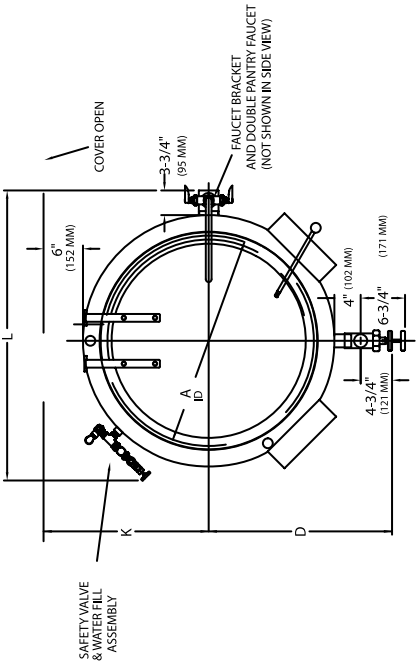
ELECTRICAL TABLE

KETTLE MODEL	208V/3PH			240V/3PH			480V/3PH		
	KW	AMP	KW	AMP	KW	AMP	KW	AMP	
EE-20	10.8	30	12	29	12	14			
EE-40	21.6	60	24	58	24	28			
EE-60	32.4	90	36	87	36	44			
EE-80	32.4	90	36	87	36	44			
EE-100	32.4	90	36	87	36	44			

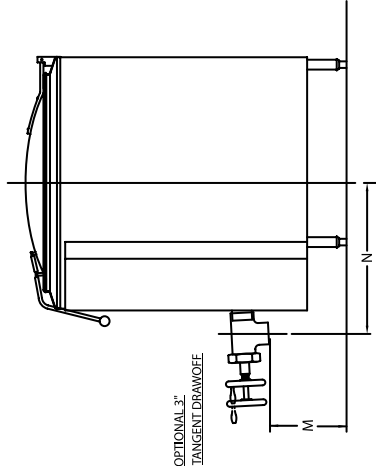
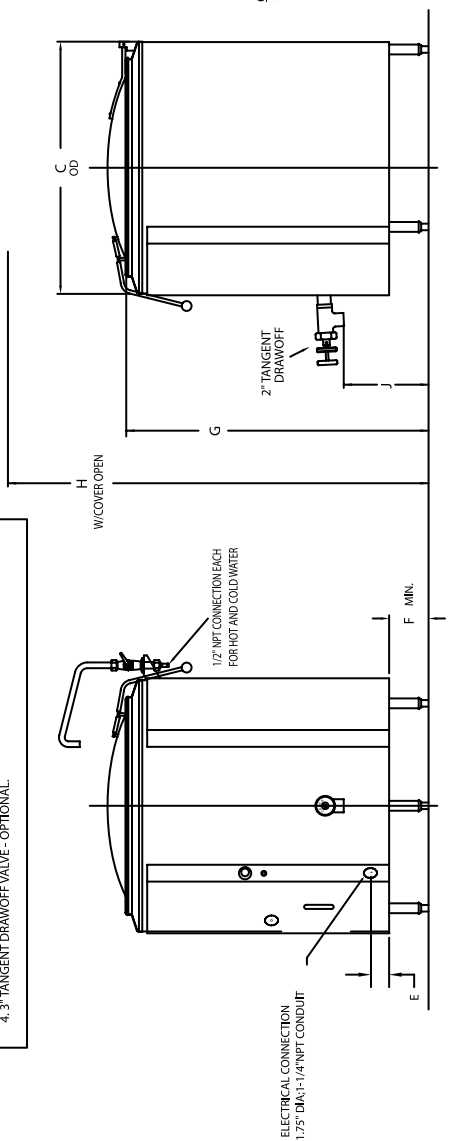
- ELECTRICAL NOTES:
- OTHER VOLTAGES ARE AVAILABLE ON MOST MODELS.
 - SINGLE PHASE OPERATION AVAILABLE ON 20 & 40 GAL. KETTLES ONLY.
 - USE KIT 170960 IF SWITCHING 3 PHASE TO 1 PHASE



PLAN VIEW OF LEGS



- NOTES:
- MODEL #51 COUNTERBALANCED COVER FURNISHED ON 60, 80 & 100 GAL. SIZES ONLY.
 - MODEL #41 COVER (SHOWN) IS STANDARD ON 20 & 40 GAL. SIZE.
 - SINGLE/DOUBLE PANTRY FAUCETS - OPTIONAL.
 - 3" TANGENT DRAW-OFF VALVE - OPTIONAL.



P/N 121500 REV H