



# TILTING FLOOR KETTLE

## GAS MODELS DH-80C & DH-80A

Kettle shall be a Groen Model DH-80, 80-gallon (specify Classic or Advanced Controls) stainless steel floor model, manual tilting steam jacketed unit, operating with a self-contained gas heated steam source contained within the unit.

PROJECT NAME:

LOCATION:

ITEM NO:

QTY:

MODEL NO:

AIA NO:

SIS NO:

### AVAILABLE MODELS:

#### CLASSIC CONTROLS:

DH-80C (80 GALLON)

#### ADVANCED CONTROLS:

DH-80A (80 GALLON)

**CONSTRUCTION:** Kettle shall have a type 316 stainless steel interior with solid one-piece welded construction. The console and all exposed surfaces shall be stainless steel. All controls shall be mounted in a water resistant IPX6-rated enclosure right of the kettle body. The kettle body shall be mounted in a heavy-duty stainless steel combination kettle support tilt trunnion, supported by a stainless steel open base. The base shall have stainless steel tubular legs with adjustable flanged feet. The trunnion and controls enclosure shall contain a smooth operating, self locking manual crank tilt mechanism, with interior accessible for installation or maintenance. The unit shall have a heavy reinforced bar rim with a welded in butterfly shaped pouring lip for maximum sanitation and durability. Faucet mounting bracket is standard.

**FINISH:** Kettle interior shall be polished to a 180 emery grit finish. Exterior of kettle shall be finished to a bright high buff finish, ensuring maximum ease in cleaning and maintaining brilliant appearance.

### A.S.M.E. CODE, C.S.A. DESIGN

**CERTIFIED:** Unit shall be A.S.M.E. shop inspected, stamped and registered with the National Board for operation up to a maximum working pressure of 50 PSI. Unit shall be design certified by CSA International. (Natural and Propane only.)

**SANITATION:** Unit shall be designed and built to meet NSF and known health department and sanitation codes and be NSF listed.

**DRAWOFF:** When drawoff is specified, outlet shall be equipped with removable 1/4" perforated stainless steel strainer.

### SELF-CONTAINED STEAM SOURCE:

Kettle shall have a gas-heated (natural, butane, propane) self-contained steam source to provide kettle temperatures of 150 to approximately 295°F. Unit shall be factory charged with chemically-pure water and rust inhibitors to ensure long life and minimum maintenance.

**CONTROLS:** Controls to be located in right-side water resistant (IPX6-rated) trunnion enclosure:

**Classic -C Model** includes: Power ON-OFF switch with indicator light, temperature control knob with 0 to 10 increments, HEAT(ing) indicator light and LOW WATER warning light. **Advanced -A Model** includes: Power ON-OFF switch with indicator light, temperature & time set knob, HEAT(ing) indicator light, LED display of set heat level or cook time, buttons for reset of Low Temp and High Temp presets, MANUAL mode button for knob-setting of heat level, and TIMER set button with indicator light, and LOW WATER warning light.

**SAFETY SYSTEMS:** Safety systems to include kettle-mounted: pressure-vacuum gauge, pressure relief valve, pressure limit control, water sight glass; plus low-water cutoff, gas regulator valve and kettle tilt automatic gas shutoff.

**PERFORMANCE FEATURES:** Patented fin tube burner assembly delivers 62-65% efficient combustion. DH-80 Models have 150,000 BTU/HR firing rate with 93,000 BTU/HR into the product. Electronic ignition is standard. Unit shall be thermostatically controlled to automatically shut off when desired temperature is reached and turn on when product temperature drops below setting.

**INSTALLATION:** Specify natural, propane, butane, or specific propane/butane mixture. Unit requires 1/2" IPS gas line connection and 115 volt electrical connection. No remote steam source required.

**ORIGIN OF MANUFACTURE:** Designed and manufactured in the United States.

DH-20C Model shown with optional TDO.



### OPTIONS/ACCESSORIES:

- Basket insert set (TRI-BC)
- Lift-off cover (No. 31)
- Hinged cover kit (No. 51)
- Pan carrier
- Kettle brush kit
- Single or double pantry faucet
- Pouring lip strainer
- 2" tangent draw-off valve with 1/4" perforated disk strainer
- 1/8" perforated disk strainer
- 1/4" perforated disk strainer
- Solid disk strainer
- Contour measuring strip
- Gallon etch marks

**FLOOR KETTLE**  
**175747 RevC**  
Revised 09/18



P/N 150925 REV A

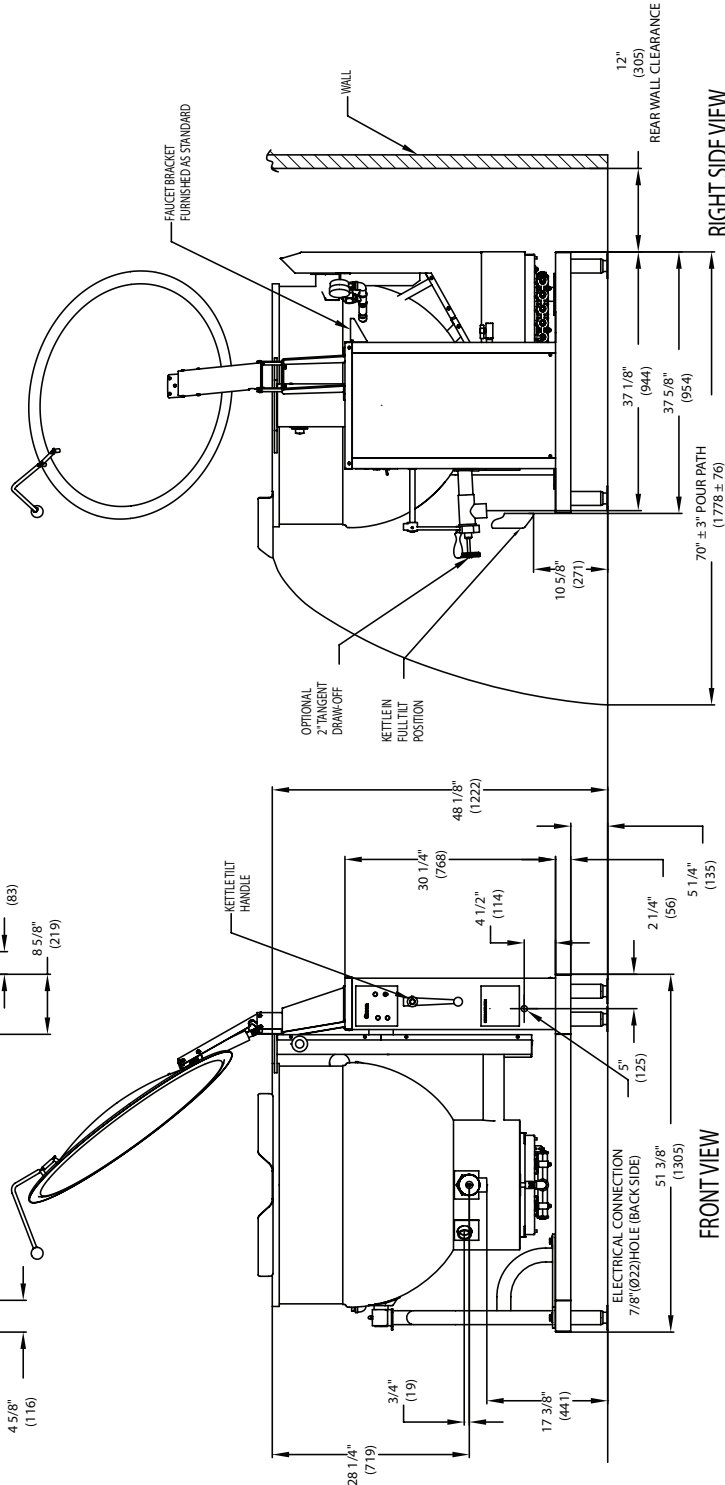
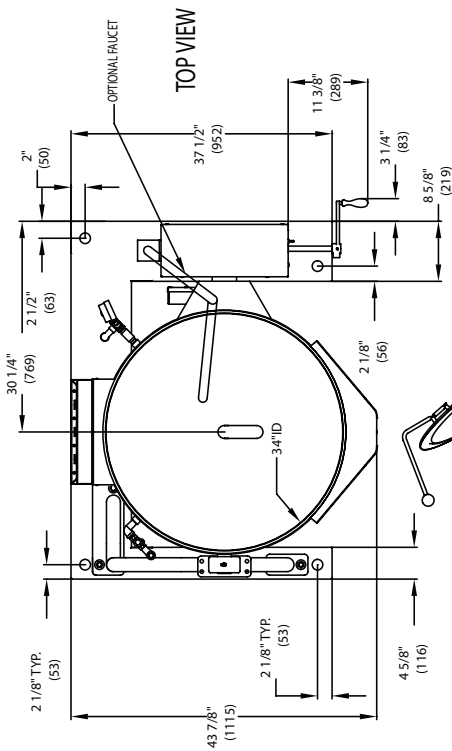
INCOMING GAS PRESSURE TABLE		
TYPE OF GAS	MIN. SUPPLY GAS PRESSURE	MAX. SUPPLY GAS PRESSURE
NATURAL	4.5 W.C.	14.0 W.C.
PROPANE	11.0 W.C.	14 W.C.

FIRING RATE (BTU/HR) FOR BOTH NATURAL AND LP	
DH/80	150,000

OPERATING GAS PRESSURE	
NATURAL	PROPANE
3.5 in W.C.	10.0 in W.C.

**OPTIONAL EXTRA COST FEATURES:**

1. 2" TANGENT SANITARY DRAW-OFF.
3. COUNTERBALANCED COVER MODEL # 51
4. OPTIONAL FAUCET WITH SWING SPOUT.
5. DIMENSIONS IN BRACKETS ( ) ARE MM.



CLASSIC CONTROL



ADVANCED CONTROL

FRONT VIEW  
SHOWN WITH OPTIONAL TDO

RIGHT SIDE VIEW  
SHOWN WITH OPTIONAL TDO