



TILTING TABLE TOP KETTLES

GAS MODELS TDH-20/24/40/48C & TDH-20/24/40/48A

Kettle shall be a Groen Model TDH (specify 20, 24, 40 or 48 quart and Classic or Advanced Controls) stainless steel, manual tilting, self-contained steam jacketed unit with a gas heated steam source contained within unit.

PROJECT NAME:

LOCATION:

ITEM NO:

QTY:

MODEL NO:

AIA NO:

SIS NO:

AVAILABLE MODELS:

CLASSIC CONTROLS:

- TDH-20C (20 QUART)
- TDH-24C (24 QUART)
- TDH-40C (40 QUART)
- TDH-48C (48 QUART)

ADVANCED CONTROLS:

- TDH-20A (20 QUART)
- TDH-24A (24 QUART)
- TDH-40A (40 QUART)
- TDH-48A (48 QUART)

CONSTRUCTION: Kettle shall be of Type 304 stainless steel, one-piece welded construction. All exposed surfaces shall be stainless steel. All controls shall be contained in a water resistant IPX6-rated enclosure. Unit shall have a heavy reinforced rim with a welded in butterfly shaped pouring lip for durability and pouring control. Right and left hand tilt handle mounts provided. Faucet bracket is standard and mounted on rear of controls/trunnion enclosure.

FINISH: Interior of kettle shall be polished to a 180 emery grit finish. Exterior of kettle shall be finished to a bright high buff finish, ensuring maximum ease in cleaning and maintaining brilliant appearance.

ASME CODE, CSA CERTIFIED: Unit shall be ASME shop inspected, stamped and registered with the National Board for operation up to a maximum working pressure of 50 PSI. Unit shall be design certified by CSA International.

SANITATION: Unit shall be designed and constructed to meet NSF and known health department and sanitation codes, and NSF listed.

SELF-CONTAINED STEAM SOURCE: Kettle shall have a gas-heated (natural and propane gas CSA certified; consult factory for butane or butane/propane mixture), self-contained steam source to provide kettle temperatures of 150° to approximately 295°. Unit shall be factory charged with water and rust inhibitors to ensure long life and minimum maintenance.

CONTROLS: Controls to be located in right-side water resistant (IPX6 rated) trunnion enclosure:

Classic -C Models include: Power ON-OFF switch with indicator light, temperature control knob with 1 to 10 increments, HEAT(ing) indicator light and LOW WATER warning light. **Advanced -A Models** include: Power ON-OFF switch with indicator light, temperature & time set knob, HEAT(ing) indicator light, LED display of set heat level or cook time, buttons for reset of Low Temp and High Temp presets, MANUAL mode button for knob-setting of heat level, and TIMER set button with indicator light.

SAFETY SYSTEMS: Kettle shall have safety tilt cut-off (cuts off heat when tilted more than 12°), pressure relief valve, high limit pressure switch, low water cut-off and 24 volt control system. Gas supply shuts off automatically when unit is tilted.

PERFORMANCE/FEATURES: Patented fin tube burner assembly delivers efficient combustion. The 20/24 quart units shall have 31,000 BTU/hr firing rate and the 40/48 quart units shall have a 52,000 BTU/hr firing rate. Electronic spark ignition is standard. Unit shall be thermostatically controlled to automatically shut off when desired temperature is reached and turn on when product temperature drops below desired setting. Design shall make it easy for one person to precisely tilt kettle, when filled to capacity. Pouring height allows filling of 4" deep pans on the table top. Tilt handle is field reversible for right or left hand tilt.

INSTALLATION: Specify natural, propane, butane or specific propane/butane mixture. Unit requires 1/2" NPT gas line connection and 115 volt electric supply. Remote steam source is not required.

ORIGIN OF MANUFACTURE: Designed and manufactured in the United States.

TDH-40A Model shown on optional support stand.



OPTIONS/ACCESSORIES:

- Etch marks, gallons
- Etch marks, liters
- Correctional package
- 316 stainless steel liner
- Single pantry faucet
- Double pantry faucet
- Single pantry pre-rinse
- Double pantry pre-rinse
- Wire basket insert
- Nylon basket liner
- Liner retaining ring
- Lift off cover
- Cover holder
- Cover strainer
- Kettle support stand
- Drain cart
- Drain cart plumbing kit

Table Top Kettles

175741 RevD

Issued 09/17

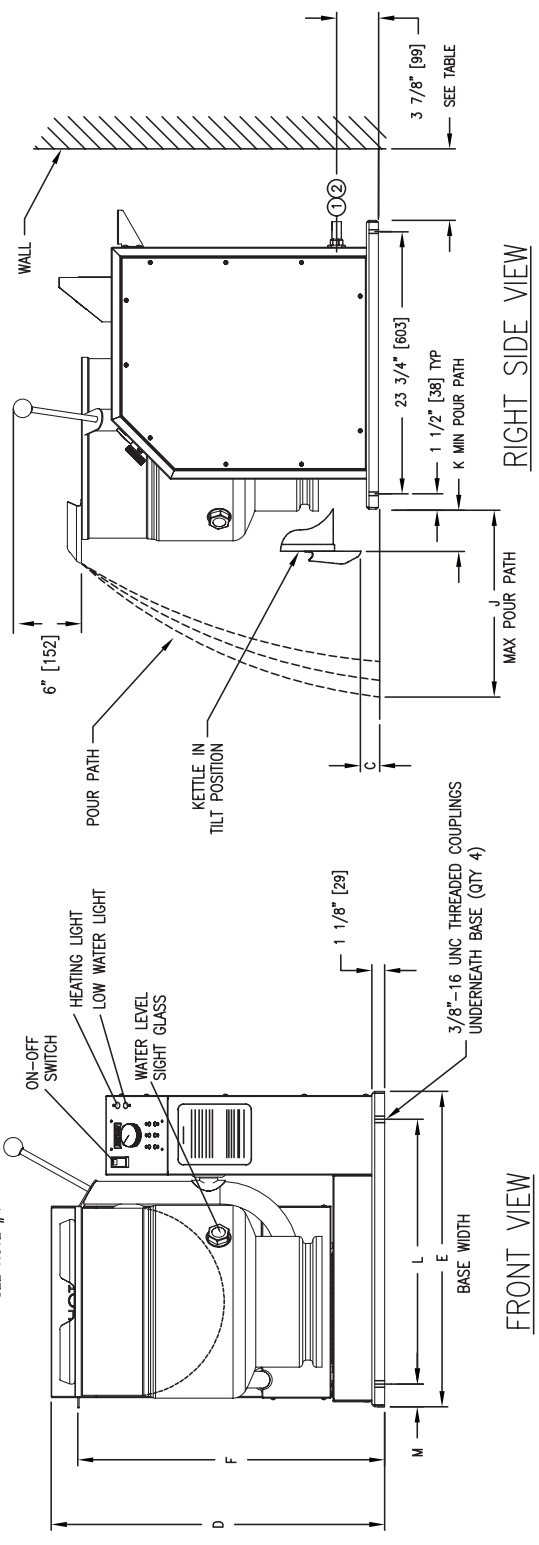
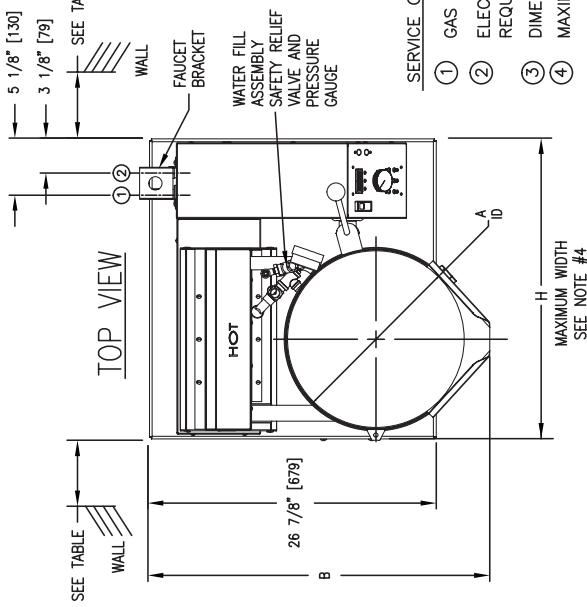


P/N 175840 REV B

MODEL	TABLE OF DIMENSIONS			
	TDH-20	TDH-24	TDH-40	TDH-48
DIM	INCHES	MM	INCHES	MM
A	14	356	16 1/2	419
B	30 3/8	772	30 3/8	772
C	5 1/2	140	5 1/2	140
D	25 3/8	645	25 3/8	645
E	24	610	24	610
F	23 1/4	591	24 3/4	629
H	25 3/4	654	25 3/4	654
J	18	457	18	457
K	4 1/2	114	6	152
L	21	533	21	533
M	1 1/2	38	1 1/2	38
				FIRING RATE
				TDH-20
				TDH-24
				TDH-40
				TDH-48
				BTU/HR
				52,000
				BTU/HR
				52,000

NATURAL		PROPANE	
GAS OPERATING PRESSURE	3.5" W.C.	GAS OPERATING PRESSURE	10" W.C.
RECOMMENDED INCOMING GAS PRESSURE	5" W.C. MIN 14" W.C. MAX	RECOMMENDED INCOMING GAS PRESSURE	12" W.C. MIN 14" W.C. MAX

INSTALLATION CLEARANCES	
MINIMUM DISTANCE FROM COMBUSTIBLE WALLS	RECOMMENDED DISTANCE
LEFT SIDE - 1"	1"
RIGHT SIDE - 0"	12" FOR SERVICING
REAR - 1"	3" FOR FAUCET BRACKET



CLASSIC CONTROL



ADVANCED CONTROL