



# OPERATOR MANUAL

IMPORTANT INFORMATION, KEEP FOR OPERATOR

1055 Mendell Davis Drive, Jackson, MS 39272  
888-994-7636, fax 888-864-7636  
unifiedbrands.net



OPERATORS AND INSTALLATION TECHNICIANS SHOULD READ, UNDERSTAND AND FOLLOW ALL WARNINGS AND INSTRUCTIONS PROVIDED IN THIS SHEET.

**NOTIFY CARRIER OF DAMAGE AT ONCE** It is the responsibility of the consignee to inspect the container upon receipt of same and to determine the possibility of any damage, including concealed damage. Unified Brands suggests that if you are suspicious of damage to make a notation on the delivery receipt. It will be the responsibility of the consignee to file a claim with the carrier. We recommend that you do so at once.

Manufacture Service/Questions 888-994-7636.

This manual provides information for:

## CASTER KIT INSTALLATION

The following instructions are applicable to the flanged feet kits supplied as optional equipment for Groen Braising Pans; Groen Steamers: Vortex100™, SmartSteam100™, HyPerSteam™, and Intek™; Groen ComboEase™ Steamer/Ovens; and small kettles/small braising pan mounted on Groen TS/10 Stands.

**THE RESTRAINING DEVICE MUST ALWAYS BE CONNECTED WHEN THE APPLIANCE WITH CASTERS IS IN SERVICE.**

**DISCONNECT, THEN RECONNECT – ONLY FOR MAINTENANCE**

**A RESTRAINING DEVICE IS REQUIRED FOR ALL UNITS WITH CASTERS PER EITHER OF THE FOLLOWING STANDARDS: UL/ANSI 197, ANSI Z83.11/CSA 1.8**

### 146354 KIT FOR BPM AND BPP MODELS, ELECTRIC OR GAS, AND TS/10 STANDS

**WARNING:** WHEN INSTALLING A RESTRAINING CABLE ON A GAS BRAISING PAN EQUIPPED WITH CASTERS, THE GAS QUICK-DISCONNECT SUPPLY HOSE OR THE PERMANENTLY CONNECTED FLEXIBLE SUPPLY HOSE MUST BE LONGER THAN THE RESTRAINT CABLE USED TO SECURE THE BRAISING PAN.

WHEN INSTALLING A RESTRAINING CABLE ON AN ELECTRIC BRAISING PAN EQUIPPED WITH CASTERS, THE LENGTH OF THE FLEXIBLE ELECTRICAL CONDUIT MUST BE LONGER THAN THE RESTRAINT CABLE USED TO SECURE THE BRAISING PAN.

1. Raise the Braising Pan about 8" above the floor.
2. Unscrew the installed bullet feet adapters from the four legs of the Braising Pan.
3. Screw the two locking casters into the front legs of the Braising Pan and screw the two non-locking casters into the rear legs of the Braising Pan.
4. Level the Braising Pan front-to-back and left-to-right by adjusting the amount the casters screw into the legs.
5. Anchor the restraining cable bracket to a secure structure (typically the wall or the floor). One of the preferred locations is on a concrete floor near the braising pan using anchor bolts (installer provided) as shown in Figure 1.
6. Install the label (P/N 170036) included in the restraining cable kit as shown in Figure 2.
7. Connect the clip on the restraining cable to the hole in the rear of the braising pan stand frame as shown in Figure 3.
8. The completed assembly should appear as shown in Figure 4.
9. After installation, pull out the braising pan to the full length of the restraining cable and verify that the gas hose or electrical conduit are not under tension or stretched.



FIGURE 1



FIGURE 2



FIGURE 3



FIGURE 4

## 098611 KIT FOR VORTEX100, SMARTSTEAM100, HYPERSTEAM, AND INTEK STEAMER STANDS

**CAUTION:** DO NOT INSTALL CASTERS ON HY-PLUS MODEL

**WARNING:** WHEN INSTALLING A RESTRAINING CABLE ON A GAS STEAMER STAND EQUIPPED WITH CASTERS, THE GAS QUICK-DISCONNECT SUPPLY HOSE OR THE PERMANENTLY CONNECTED FLEXIBLE SUPPLY HOSE MUST BE LONGER THAN THE RESTRAINT CABLE USED TO SECURE THE STEAMER.

WHEN INSTALLING A RESTRAINING CABLE ON AN ELECTRIC STEAMER STAND EQUIPPED WITH CASTERS, THE LENGTH OF THE FLEXIBLE ELECTRICAL CONDUIT MUST BE LONGER THAN THE RESTRAINT CABLE USED TO SECURE THE STEAMER.

**CAUTION:** DO NOT TILT THE STEAMER AND INSTALL (2) CASTERS, THEN TILT TO THE OTHER SIDE TO INSTALL THE LAST PAIR THIS WILL DAMAGE THE STAND

**WARNING:** SUPPORT THE STEAMER AND STAND SECURELY BEFORE LIFTING SO THAT IT DOES NOT TIP OVER DURING INSTALLATION.

NOTE: THE RESTRAINING CABLE KIT (PART NUMBER 150518) IS NOT SUPPLIED WITH THE CASTER KIT. IT IS INCLUDED IN THE 140144 QUICK-DISCONNECT GAS HOSE KIT. WHEN INSTALLING GAS UNITS WITH FLEXIBLE GAS HOSE OR ELECTRICAL UNITS WITH FLEXIBLE CONDUIT, ORDER THE CABLE KIT SEPARATELY.

1. On Steamer(s), all four legs must be raised at the same time to properly install casters.
2. Remove the four bullet foot inserts from the stand legs. They are force-fit into the ends of the legs and can be driven out with a small hammer and a screwdriver.
3. Insert the locking casters into the two front legs of the stand and the non-locking casters into the two rear legs of the stand. Be sure compression sleeve washer is snugly held to stand leg. They are fitted with a rubber compression sleeve and a hex head bolt on the underside between the sleeve and the wheel that is tightened to secure the caster within the leg, as indicated in Figure 5.
4. Drill a 13/32" (or 9 mm) diameter hole through one of the rear legs of the steamer stand approximately 3" to 6" below the top of the stand as shown in Figure 6.
5. Attach the eyebolt to the stand leg using the washers and nut included in the restraining cable kit, as shown in Figure 7.
6. Anchor the restraining cable bracket to a secure structure (typically the wall or the floor). One of the preferred locations is on a concrete floor near the braising pan using anchor bolts (installer provided) as shown in Figure 1 on previous page.
7. Install the label (P/N 170036) included in the restraining cable kit as shown in Figure 8. The label **must** be installed adjacent to the restraining cable eyebolt.
8. Attach the restraining cable clip to the eye of the eyebolt, as shown in Figure 9.
9. After installation, pull out the steamer to the full length of the restraining cable and verify that the **gas hose or electrical conduit are not under tension or stretched.**

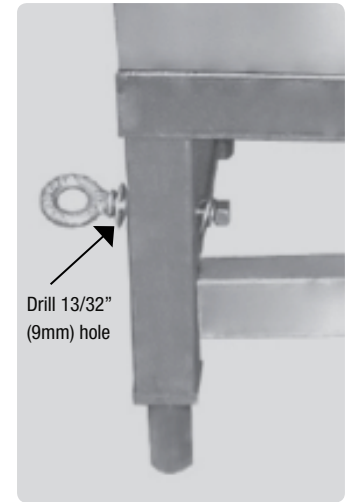
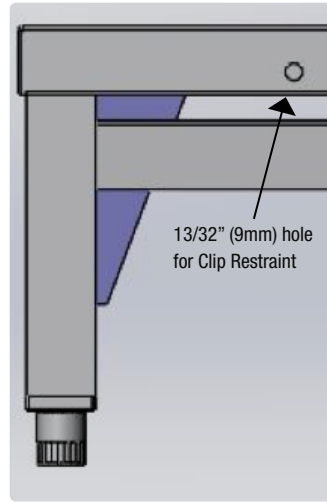
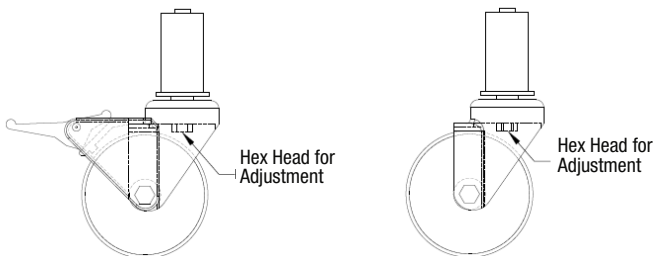


FIGURE 6 (STAND FOR STEAMER)

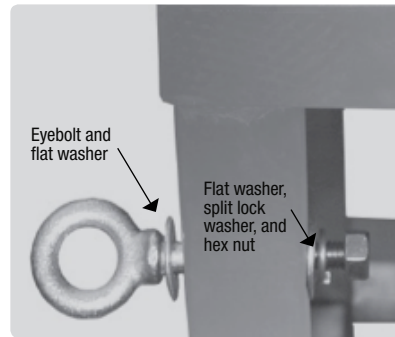


FIGURE 7

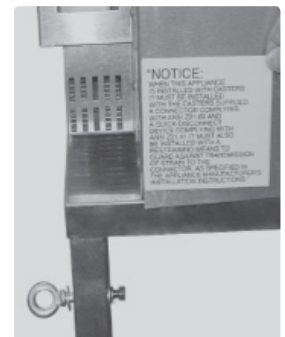


FIGURE 8



FIGURE 9



FIGURE 10

## 150518 RESTRAINING KIT FOR COMBOEASE STANDS

**WARNING:** COMBOEASE STEAMER/OVENS COME FACTORY-EQUIPPED WITH CASTERS, THE GAS QUICK-DISCONNECT SUPPLY HOSE OR THE PERMANENTLY CONNECTED FLEXIBLE SUPPLY HOSE MUST BE LONGER THAN THE RESTRAINT CABLE USED TO SECURE THE COMBOEASE.

1. Anchor the restraining cable bracket to a secure structure (typically the wall or the floor). One of the preferred locations is on a concrete floor near the braising pan using anchor bolts (installer provided) as shown in Figure 10.
2. Attach the restraining cable clip to the eye of the factory-installed eyebolt on the lower left rear of the ComboEase.
3. After installation, pull out the ComboEase to the full length of the restraining cable and verify that the gas hose is not under tension or stretched.