



CHINOOK VALUE VENTILATION

EXHAUST ONLY FILTER MODEL VPO

The Avtec model VPO is a cap style exhaust only canopy is designed to mount directly on top of any deck style oven. The flue for gas ovens discharges directly into the hood. An adjustable damper allows for proper flue exhaust adjustment. The cap style hood is designed for all deck style baking ovens, electric, gas, or convection. Includes a warming pocket below the filters. For use in Type II applications only.

SHORT FORM SPEC: The Avtec model VPO hood is an exhaust only cap style hood designed to sit on top of deck or door style ovens. The front mount filters allow for easy access for cleaning, while maximizing capture. Includes a warming pocket and adjustable flue bypass for ovens with top mounted flues.

STANDARD FEATURES:

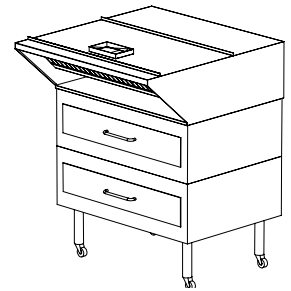
- Stainless steel construction on all exposed surfaces
- Specifically designed per oven model
- Warming pocket for hot pizza storage
- Type II construction
- Exhaust collar installed
- UL Listed aluminum grease filters
- Adjustable damper for flue gases

SPECIFICATIONS: This is a single shell cap style canopy of Type II construction and suitable for use with all types of deck ovens. Canopy is constructed of stainless steel on all exposed surfaces and aluminized steel on all non-exposed surfaces. Canopy is complete with UL Listed baffle type aluminum grease filters. Canopy shall be constructed using the standing seam method for optimum strength. An adjustable air volume control damper shall be provided for gas ovens with flues. The hood shall overhang the front edge of the oven by 18". A pizza warming pocket is to be supplied directly below the UL Listed filters.

ORIGIN OF MANUFACTURE: Designed and manufactured in the United States.

Certifications:

PROJECT NAME:	
LOCATION:	
ITEM NO:	
QTY:	
MODEL NO:	
AIA NO:	
SIS NO:	
CSI SECTION:	11400



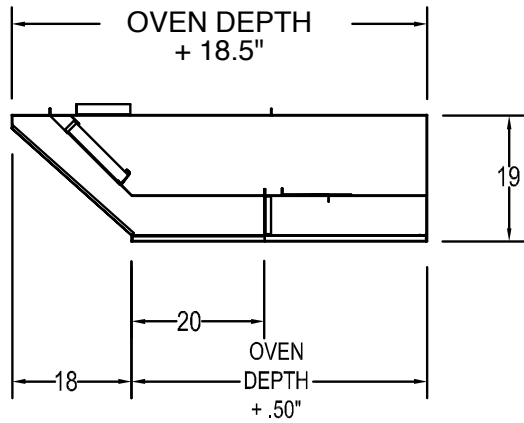
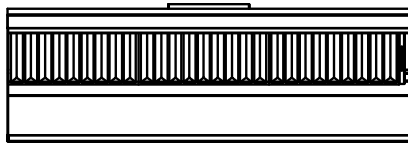
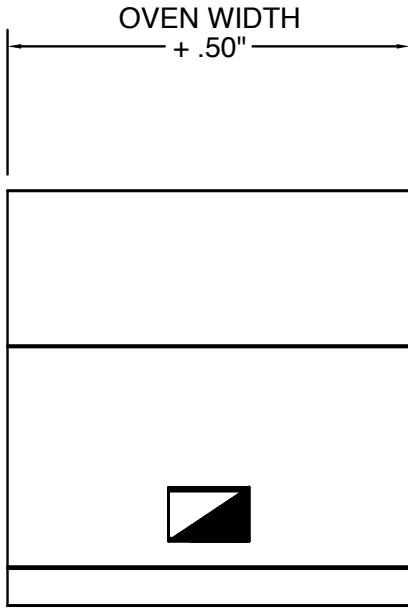
Model VPO shown

OPTIONS/ACCESSORIES:

- All 300 series stainless steel construction
- EcoAzur Energy Management System
- UL Listed exhaust volume damper
- Pre-plumbed fire suppression
- Insulated 3" air space
- Stainless steel top enclosure
- Stainless wall panel
- Exhaust fan/cooking equipment interlock
- Recessed LED lights
- Switch Panel

ADDITIONAL RESOURCES:

- [Request A Quote](#)
- [Product Videos](#)
- [Sales Tools](#)
- [Find A Rep](#)



Hood size is based on make and model of oven. Consult factory for specific exhaust CFM and collar size.