



CUSTOM

ADD ON UNITS MODEL 80000

PROJECT NAME:

LOCATION:

ITEM NO:

QTY:

MODEL NO:

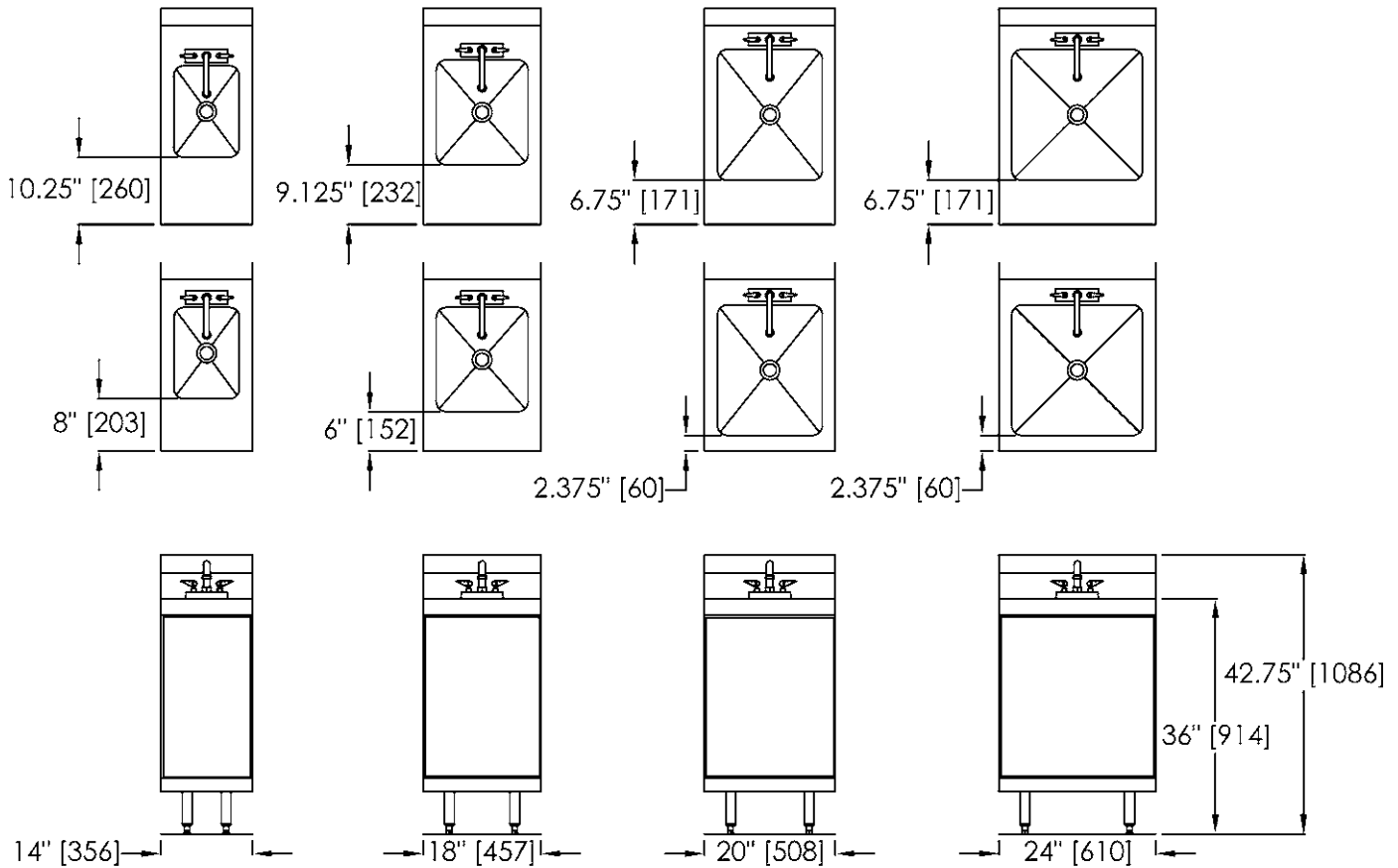
AIA NO:

SIS NO:

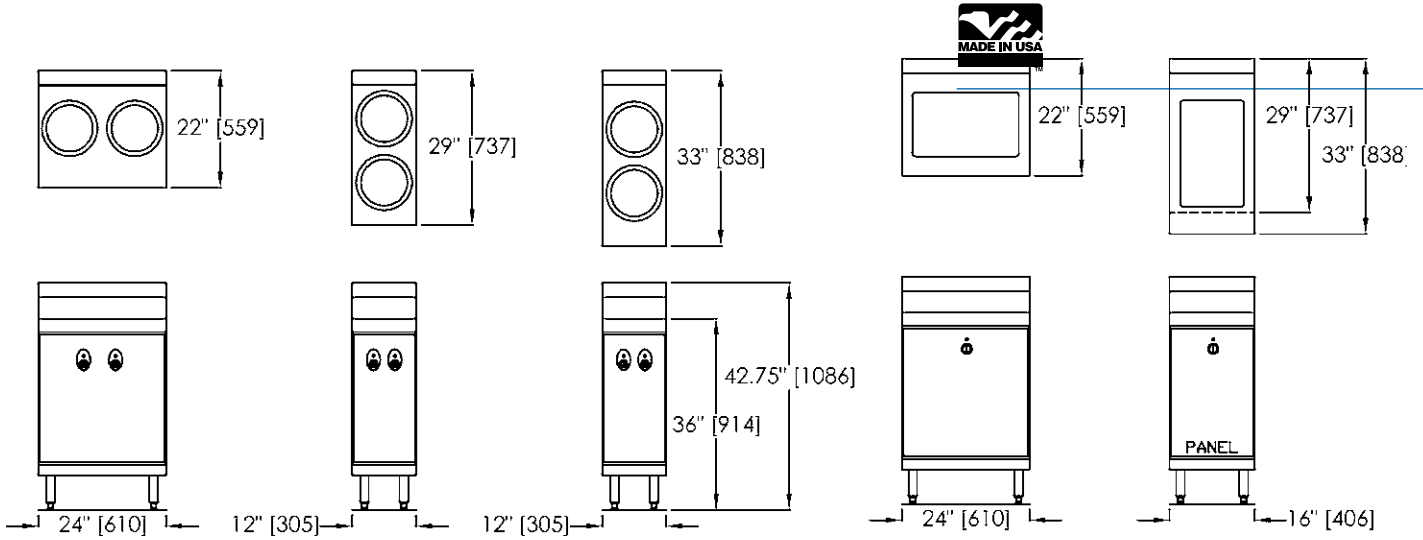
CSI SECTION: 11400

AVAILABLE MODELS:

- | | | | | |
|--------------------------------|--------------------------------|--------------------------------|--------------------------------|--------------------------------|
| <input type="checkbox"/> 83214 | <input type="checkbox"/> 83318 | <input type="checkbox"/> 83224 | <input type="checkbox"/> 87212 | <input type="checkbox"/> 88216 |
| <input type="checkbox"/> 83314 | <input type="checkbox"/> 83220 | <input type="checkbox"/> 83324 | <input type="checkbox"/> 87312 | <input type="checkbox"/> 88316 |
| <input type="checkbox"/> 83218 | <input type="checkbox"/> 83320 | <input type="checkbox"/> 87124 | <input type="checkbox"/> 88124 | |



83000 Series
Stainless steel top extension with front panel. Sink with deck mounted faucet, and drain basket - shipped loose. Unfinished ends.



87100 Series
 29" long x 22" deep top extension with front panel, supplied with two round soup wells, (Specify 7 qt. or *11 qt. & voltage.) *11 qt. requires 30" long unit.

87200 Series
 12" long top extension with front panel, supplied with two 7 qt. round soup wells.

87300 Series
 14" long top extension with front panel, supplied with two 11 qt. round soup wells.

88100 Series
 24" long x 22" deep top extension with front panel, supplied with (1) 12" x 20" electric hot food well mounted below die stamped opening in top. (Specify Voltage -120, 208 or 240V).

88200, 88300 Series
 16" long top extension with front panel, supplied with (1) 12" x 20" electric hot food well mounted below die stamped opening in top. (Specify Voltage 120, 208 or 240V).