



# POWER PREP

## ADVANCED FREE FLOWING WASH ACTION MODELS PPA2B-66L/R

The Power Prep provides patented, free flowing wash action, reaching hard to reach areas on produce in a 2-bay configuration. NSF approved for washing whole, uncut and cut, unpeeled, fruits and vegetables.

### AVAILABLE MODELS:

- PPA2B-66L-115-1
- PPA2B-66R-115-1
- PPA2B-66L-208-1
- PPA2B-66R-208-1
- PPA2B-66L-230-1
- PPA2B-66R-230-1

### STANDARD SPECIFICATIONS:

- Left to right (L) or right to left (R) configurations
- Patented wash flow design allows for washed produce to be automatically collected into the stainless steel unloading baskets
- Removable wash jet channel
- Removable wash pump intake screen
- Three positional reverse flushing system of wash pump housing, wash pump impeller and wash pump manifold
- Hemmed end splash
- 18" Solid drain board
- Wash tank available as 2 bay only
- 30" Clean drain board
- 1/2" faucet with pre-rinse
- 1-1/2" Ball drain valve
- Custom configurations available, including tabling, shelving, and accessories
- Low profile wash jets average every three inches along the back wall of wash tank above the wash tank intake with removable jet block – wash jets provide free flowing uniform wash action
- Wash tank to have ultra-high molecular weight polyethylene (UHMW) flexible tank dividers, (UHMW) wash tank bay flow guides, high density polyethylene (HDPE) rib system integrally connected with stainless steel rods
- Stainless steel self-draining pump housing and impeller, all wetted parts of the pump assembly are stainless steel
- Wash tanks supported by 1-5/8" stainless diameter legs with 1-1/4" stainless cross members and adjustable stainless steel bullet feet

- Type 304 stainless steel construction throughout tanks, drain boards, splashes and channel rims (14 gauge)
- High quality 1/2" faucet assembly with pre-rinse spray
- Rear-exit stainless ball valve drain for 100% drainage
- 3/4 HP heavy duty (TEFC) wash pump motors (high service factor) are provided with all stainless steel pump assemblies
- Modular design allows quick and easy access to: motor, pump and all major components
- 208-240V/60/1, 4.1 Amps, 115V/60/1, 8.4 Amps, or 220-240V/50/1, 4.8 Amps
- Flow guides

### CONTROLS:

PS-50: Pistol Grip ON/OFF mechanical Start/Stop switch

### WARRANTY:

- Three year parts and three year labor warranty from the date of shipping (USA only)
- Flow guides 1 year

### ORIGIN OF MANUFACTURE:

Designed and manufactured in the United States.

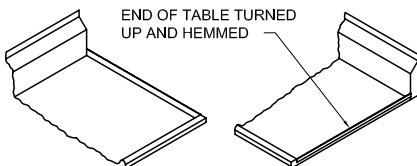
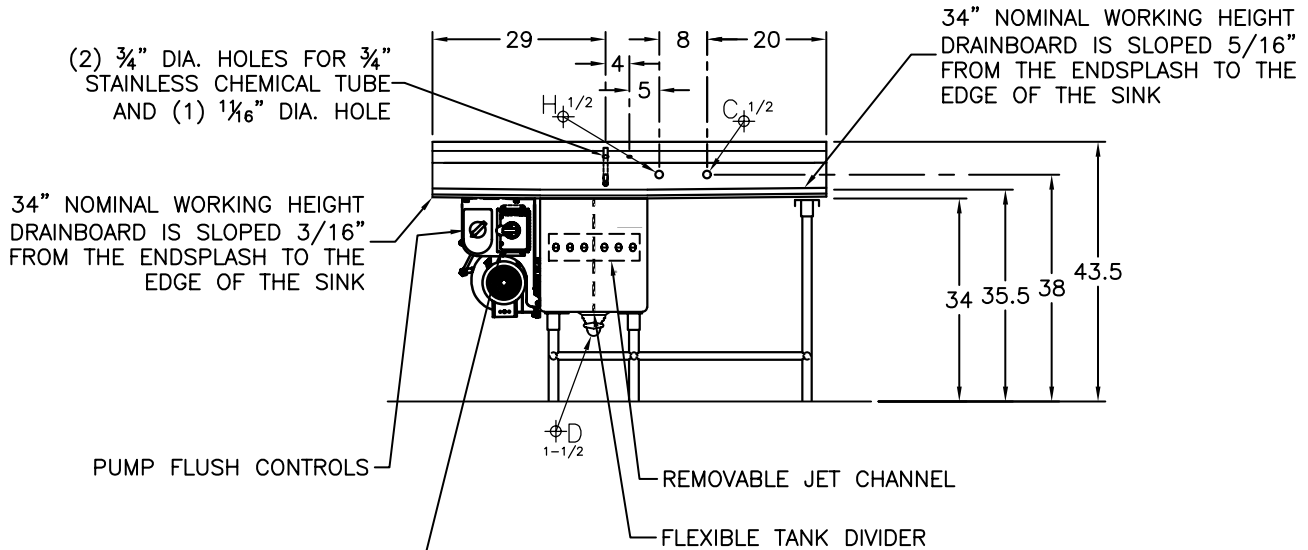
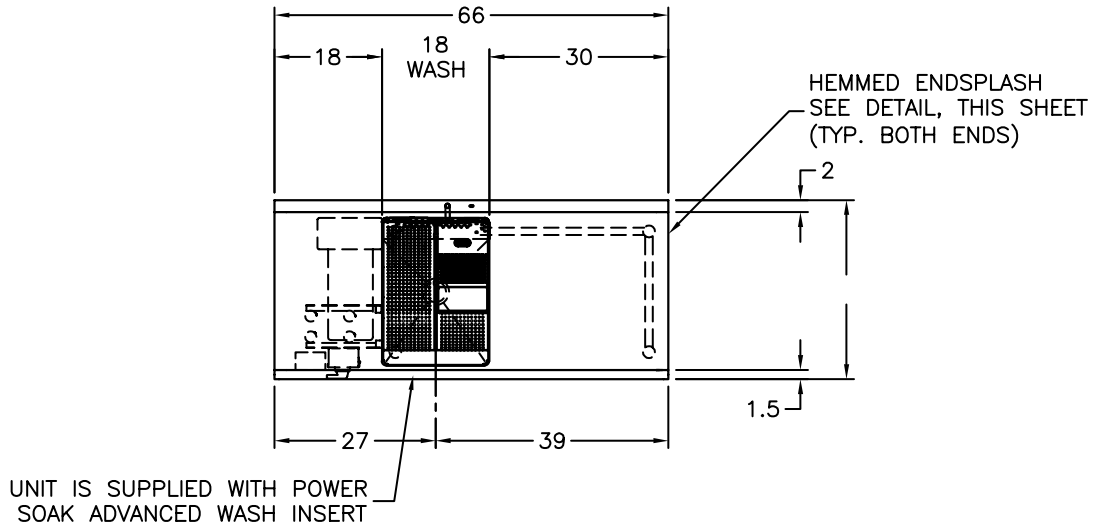


PROJECT NAME:	
LOCATION:	
ITEM NO:	
QTY:	
MODEL NO:	
AIA NO:	
SIS NO:	
CSI SECTION:	11400

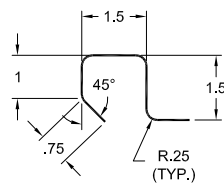


### OPTIONAL ACCESSORIES:

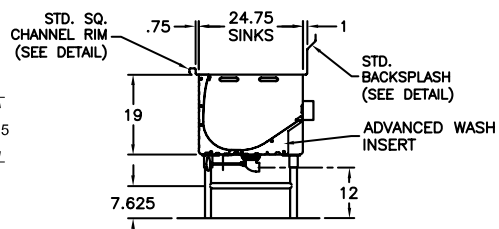
- Stainless steel backsplash extensions
- Unload baskets
- Strainer for unload basket
- Over and under shelves
- Fry cutter basket



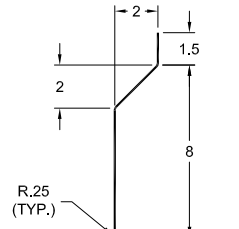
HEMMED ENDSPLASH DETAIL



SQ. CHANNEL RIM DETAIL



SECTION "A"



BACKSPLASH DETAIL