



# COOK-CHILL SYSTEMS

## BASKET HOIST SYSTEM MODEL CKH/R

Basket Hoist is a CapKold® chain hoist for lifting and movement of Cook Tank baskets and/or Pasta Kettle baskets.

PROJECT NAME:

LOCATION:

ITEM NO:

QTY:

MODEL NO:

AIA NO:

SIS NO:

### AVAILABLE MODELS:

- CKH-1 (1 Ton, Manual Trolley)
- CKH-1E (1 Ton, Motorized Trolley)
- CKR-2E (2 Ton, Motorized Trolley)

### STANDARD FEATURES:

- Overhead four wheel trolley with water-resistant construction
- Heavy duty motor:  
H-1 = 1/2 horsepower  
H-1E = 3/4 horsepower  
R-2E = 1 1/2 horsepower
- Heavy duty industrial cable suspended push button operating control
- Chain with 1" gap hook and chain container which holds all unused hoist chain just below the trolley

### SIZING ORDERING GUIDE:

Basket Hoist Systems are recommended to speed and simplify the loading and unloading of Cook Tank Baskets and/or Pasta Kettle Baskets. Depending on the production equipment specified, building layout, building construction and space constraints, individual Hoist and Rail Systems can be specified for: 1) one or more Cook Tanks; 2) one or more Pasta Kettles and/or INA/2-TO (Tilt-Out) Kettles; or 3) a single Hoist and Rail System can serve both a Cook Tank and one or more Pasta Kettles. A Manual Trolley requires one or more operators to push or pull the empty or loaded basket and hoist along the rail. A motorized trolley moves the basket and hoist along the stainless steel rail under its own power.

The following hoist models are recommended for:

Model	Capacity	Trolley	Cook Tank	Pasta Kettle/ Size
CKH-1	1 Ton	Manual	CKCT-5/10	N-80,100 or 200P
CKH-1E	1 Ton	Motorized	CKCT-10	N-100 or 200P
CKR-2E	2 Ton	Motorized	CKCT-20	All Kettle Sizes

**NOTES:** Required rail components, rail heights, hood and ceiling clearances are site dependent and will be listed on the quotation and stack up drawings.

**ORIGIN OF MANUFACTURE:** Designed and manufactured in the United States.

CKH Basket Hoist System.



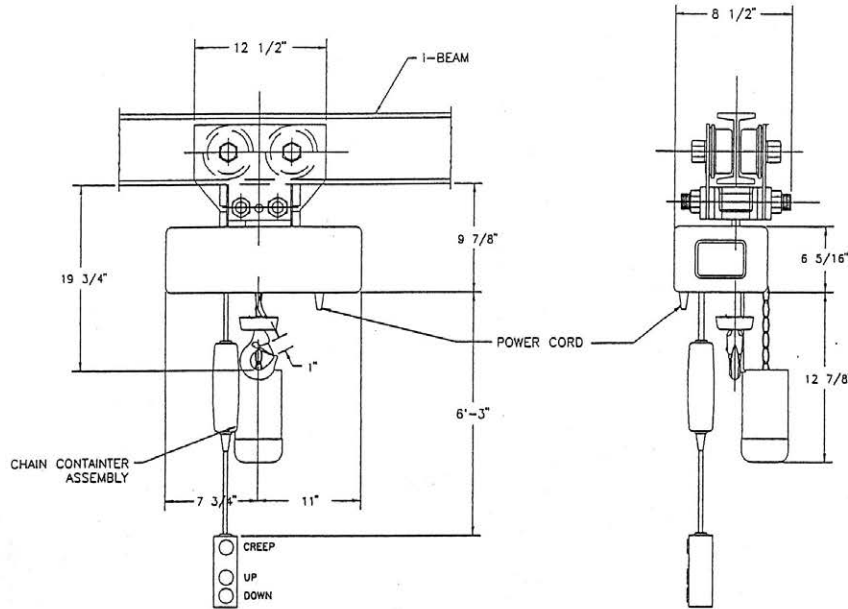
### OPTIONS/ACCESSORIES:

- Messenger cable assembly to support electric power cable.
- Automatic power cord reel (motorized trolley only)



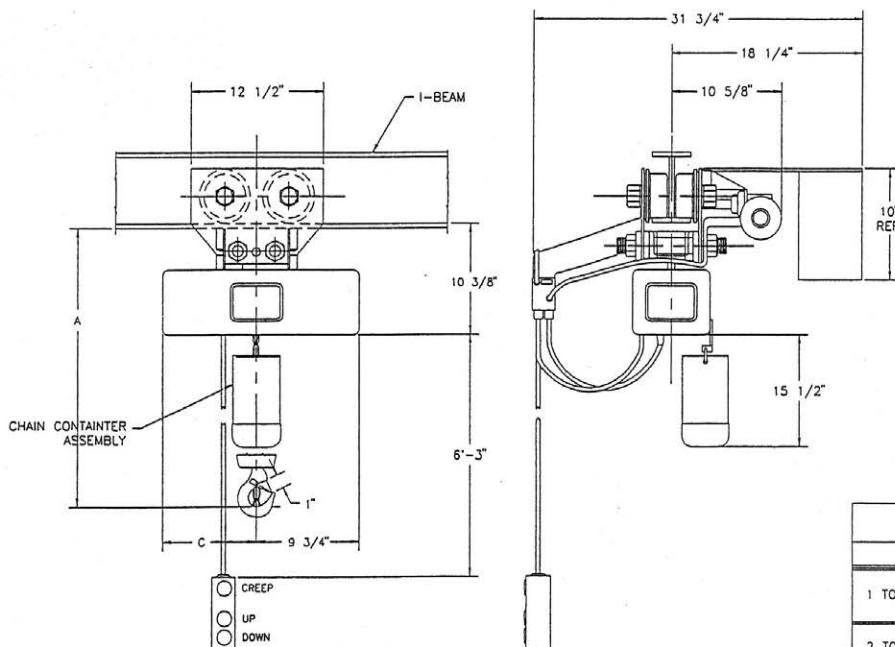
160660 REV A

**Model CKH-1 Hoist - Manual Trolley**



UTILITY REQUIREMENT S	
EP = POWER SUPPLY	
1/2 HP	
115/230/1/60 SINGLE SPEED	
OR 208 OR 230/460/3/60	
(CUSTOMER TO SPECIFY REQUIREMENTS)	

**Models CKH-1E CKR-2E Hoist - Motorized Trolley**



UTILITY CONNECTION	
EP = POWER SUPPLY	
1 TON	3/4 HP
2 TON	1 1/2 HP
115/230/1/60 SINGLE SPEED	
OR 208 OR 230/460/3/60	
(CUSTOMER TO SPECIFY REQUIREMENTS)	

TABLE OF DIMENSIONS				
		A	B	C
1 TON	INCH	19 3/4	8 7/8	7/8
2 TON	INCH	23 3/4	10 11/16	1 1/2