



# HYPLUS PRESSURE BOILER

## CABINET BASE GAS MODEL CNGB-24

HyPlus cabinet base 200,000 BTU gas boiler.

PROJECT NAME:

LOCATION:

ITEM NO:

QTY:

MODEL NO:

AIA NO:

SIS NO:

**CONSTRUCTION:** Cabinet base shall be manufactured of stainless steel with louvered lift off front panel for access to boiler. Cabinet exterior shall be uniformly polished to a #3 finish with control face plates of smudge resistant polyester film.

**CERTIFICATIONS:** Cabinet-mounted boiler shall be ASME Code constructed and National Board registered for operation up to 15 PSI. Gas boiler shall be design certified by CSA. Unit shall be designed and manufactured to meet regulatory known health department sanitation codes.

**CONTROLS:** Gas boiler shall be provided with a gas control valve, power ON switch, RESET light, start switch, low water sensor, pop safety valve, water level sight glass on front panel and an outside cabinet mounted pressure gauge.

**PERFORMANCE FEATURES:** Unit shall shut off if water level is low or the unit builds up too much pressure. When the power switch is turned "OFF" the boiler automatically drains after the water has cooled to 170 degrees F. Boiler shall be provided with electronic ignition and a 200,000 BTU gas fired generator producing approx. 3.7 BHP of steam.

**INSTALLATION:** Unit requires gas service via 1/2" NPT pipe or approved equivalent. (Specify gas type.) Unit requires 1/2" NPT cold water supply line, 1-1/4" free venting drain, and 115/60/1, 15 AMP electrical service. (4 AMP max load hard wired connection)

**STEAM SOURCE FOR EQUIPMENT:** Boiler is provided with a 1/2" NPT power take off valve. To ensure proper performance boiler must be properly sized to meet BHP requirements of equipment to be powered. Appropriate steam traps and piping must be professionally installed.

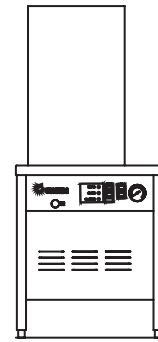
### WATER SUPPLY REQUIREMENTS:

Water Pressure:	30-60 PSI
PH:	7 to 9
Hardness:	less than 60 ppm
TDS:	30-60 ppm
Chlorine & Chloramine:	less than 0.1 ppm
Total Chloride:	less than 30 ppm
Silica:	less than 12 ppm
Undissolved Solids:	less than 5 micron

### ORIGIN OF MANUFACTURE:

Designed and manufactured in the United States.

200,000 BTU gas boiler in stainless steel cabinet. Provides 3.7 boiler horsepower. (model CNGB-24 shown)



### OPTIONS/ACCESSORIES:

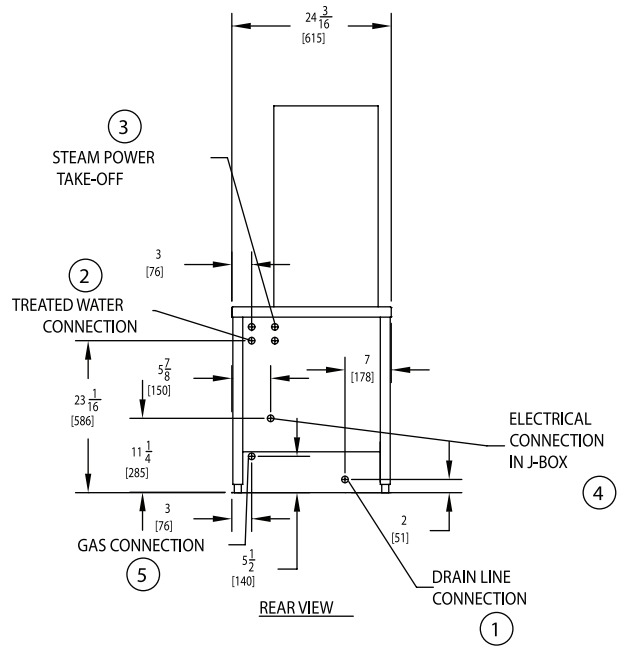
- Prison Package
- Delimer/Descaler
- Degreaser
- 1/2" Gas Quick Disconnect
- Field Drain Tempering Kit
- Interconnecting Piping 12'
- Interconnecting Piping 6'
- Flanged Feet
- Puresteam Replacement Cartridge
- Pre-filter System
- Propane Burner Assembly
- Water Connection



174296 REV D

SERVICE CONNECTIONS AND NOTES :

- ① DRAIN CONNECTION: 1 1/4" [42] NPT
- ② TREATED WATER SUPPLY: 1/2" [21] NPT
- ②A UN-TREATED WATER SUPPLY: 1/2" [21] NPT
- ③ STEAM POWER TAKE-OFF: 1/2" [21] NPT
- ④ ELECTRICAL CONNECTION: 7/8" [22] DIA. HOLE (REF. 1/2" CONDUIT KNOCK-OUT)
- ⑤ GAS CONNECTION: 1/2" [21] NPT
- ⑥ MIN. CLEARANCE FROM COMBUSTIBLE MATERIALS
  - RIGHT SIDE 2" [51]
  - LEFT SIDE 4" [102]
  - REAR 6" [153]
- ⑦ DO NOT INSTALL STEAMER OVER DRAIN OR FLOOR SINK AS HUMIDITY OR STEAM MAY DAMAGE ELECTRICAL COMPONENTS.

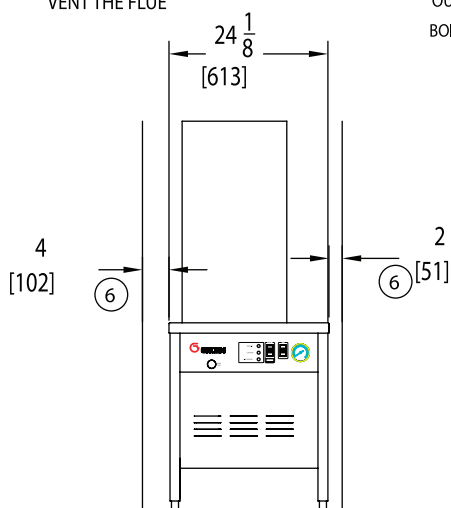


	RECOMMENDED INCOMING GAS PRESSURE *		OPERATING GAS PRESSURE *
NATURAL	5" W.C. (MIN.)	14" W.C. (MAX.)	3.5" W.C.
PROPANE	11" W.C. (MIN.)	14" W.C. (MAX.)	10.0" W.C.

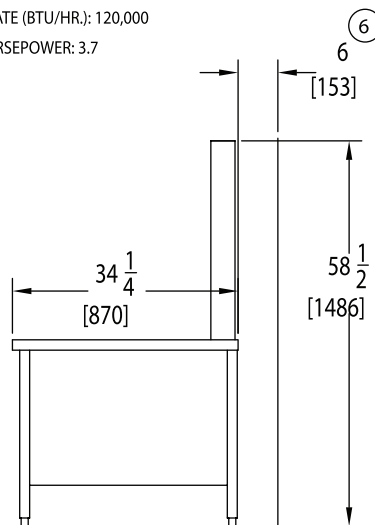
\* INCHES WATER COLUMN

DO NOT DIRECTLY VENT THE FLUE

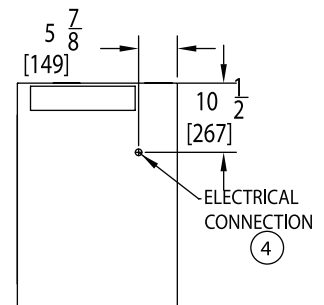
INPUT RATE (BTU/HR.): 200,000  
 OUTPUT RATE (BTU/HR.): 120,000  
 BOILER HORSEPOWER: 3.7



FRONT VIEW



END VIEW



TOP VIEW