



COOK-CHILL SYSTEMS

COOK TANK BASKETS & HANDLING ACCESSORIES

PROJECT NAME:

LOCATION:

ITEM NO:

QTY:

MODEL NO:

AIA NO:

SIS NO:

STANDARD BASKETS PROVIDED:

One set of stacking Cook Tank Baskets comes with each CapKold® Model CKCT Cook Tank. Baskets are designed to maximize the effective product load cooking/cooling capacity, while ensuring efficient water circulation around and between individual packaged product. The basket set consists of:

	CKCT-5	CKCT-10	CKCT-20
# BASKETS	5	5	8
SECTIONS/BASKET	4	5	5
LIFTING RACK	1	1	2

BASKET CONSTRUCTION:

- 3/16" diameter Type 304 electro-polished stainless steel wire form construction
- Each basket nests in lower basket

OPTIONAL COOK TANK LOADING

ACCESSORIES:

Lifting Frame

Lifting frame for _____ (specify CKCT-5,10 or 20) Cook Tank consists of stainless steel all welded construction. Lifting frame attaches to lifting racks and hoist to enable lifting and lowering of Cook Tank baskets.

- Lifting Frame provided with two 3" swivel hooks with spring loaded locking tab for easy connection to Lifting Rack, and two "J" hooks

- Lifting Rack** (Designed to hold a full set of Cook Tank baskets. One (1) lifting rack recommended for each complete set of Cook Tank baskets.)
Lifting Rack for _____ (Specify CKCT-5,10 or 20) consists of stainless steel all welded construction, designed to hold full set of product loading baskets and provide four point load balanced attachment of

hoist using lifting frame device for rapid loading and unloading of Cook Tank. Lifting Rack includes the following standard features:

- Heavy Type 304 stainless steel welded construction
- Heavy 'U' bolt lift points at four corners of Lifting Rack

- Lifting Rack/Basket Dolly** (For the transport of lifting rack and Cook Tank basket set. One (1) transport dolly recommended for each complete set of Cook Tank baskets.)

Lifting Rack/Basket Dolly for _____ (Specify CKCT-5, 10 or 20) Cook Tank consist of stainless steel frame with four casters, designed to hold corresponding size Basket Lifting Rack, provide a safe and sanitary place for loading cooking baskets and for easier movement of full or empty cooking basket sets. Dolly to include the following standard features: Lifting Rack/Basket Dolly Construction

- Heavy Type 304 stainless steel welded frame
- Heavy duty 5" casters, two fixed and two swivel type, with locking brakes

NOTES: One set of baskets, one lifting frame, one lifting rack and one dolly provided with each Cook Tank.

ORIGIN OF MANUFACTURE:

Designed and manufactured in the United States.

Lifting rack and basket assembly

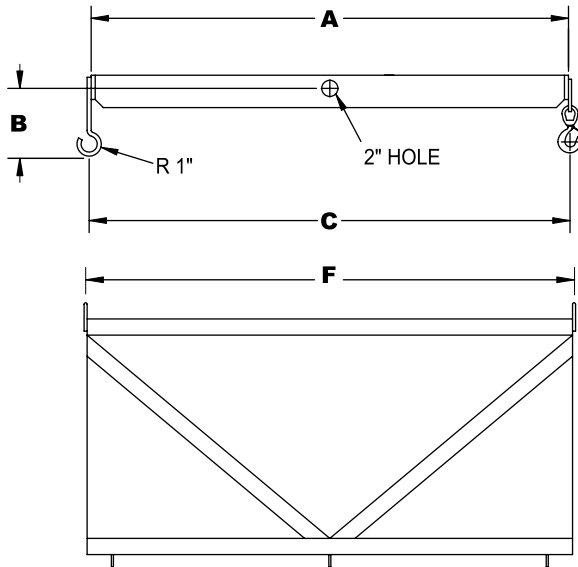
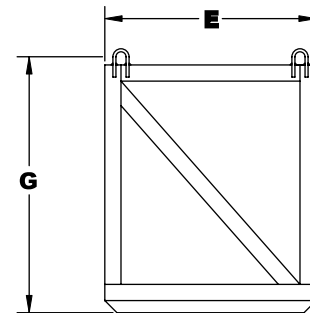
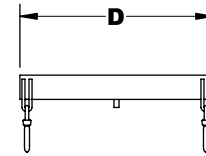
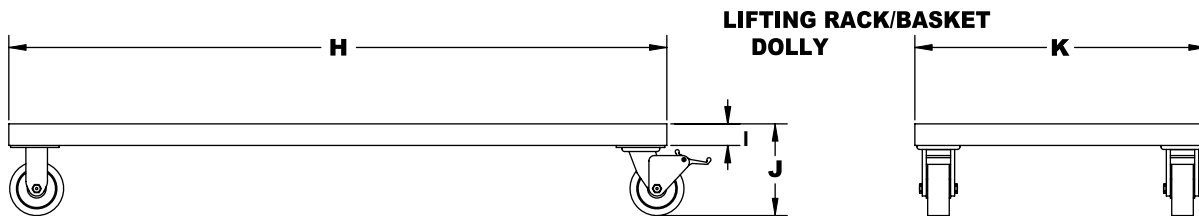


OPTIONS/ACCESSORIES:

- Additional Cooking Basket Sets (For pre-loading/staging)
- Manual loading of baskets is possible. Optional hoists are available (See CKH)



160598 REV A


**LIFTING
FRAME**

**LIFTING
RACK**

**LIFTING RACK/BASKET
DOLLY**
FRONT VIEWS
SIDE VIEWS
PHYSICAL DIMENSIONS

MODEL	A	B	C	D	E	F	G	H	I	J	K
CKCT-5 FRAME	49-3/4"	6-5/8"	49-3/8"	23-3/4"	-	-	-	-	-	-	-
CKCT-10 FRAME	62-1/2"	10"	62-1/2"	23-7/8"	-	-	-	-	-	-	-
CKCT-20FRAME	90-3/8"	9"	90-3/8"	32-3/8"	-	-	-	-	-	-	-
CKCT-5 RACK	-	-	-	-	26-1/8"	49-3/4"	26-5/8"	-	-	-	-
CKCT-10 RACK	-	-	-	-	26-1/8"	60-3/4"	32-5/8"	-	-	-	-
CKCT-20 RACK	-	-	-	-	31"	92-1/8"	47-1/2"	-	-	-	-
CKCT-5 DOLLY	-	-	-	-	-	-	-	50-1/2"	3"	9-1/2"	27-1/2"
CKCT-10 DOLLY	-	-	-	-	-	-	-	61"	3"	9-1/2"	27"
CKCT-20 DOLLY	-	-	-	-	-	-	-	93-1/4"	4"	13-1/2"	31-7/8"