



CHEF SERVICE COUNTER

CUSTOM ENCLOSURE MODELS 23000

Stainless steel enclosure with stainless steel adjustable legs.

SHORT FORM SPEC: Randell 23000 series enclosure utility stand with 18 gauge stainless steel interior and integral 6.75" covered backsplash with 45° return at top. Open to the floor with stainless steel finished interior, shipped on 6" high adjustable legs mounted to 2" wide end supports.

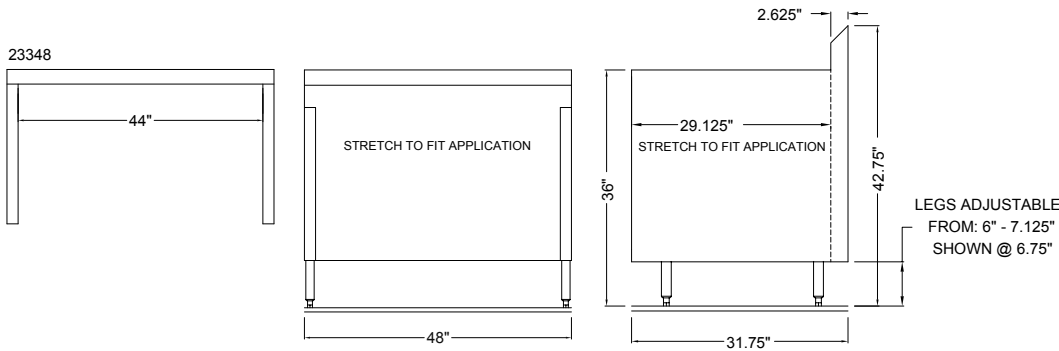
AVAILABLE MODELS:

23348	23396
23360	233108
23372	233120
23384	

STANDARD FEATURES:

- Stainless steel interior with inside clearance of unit length less 4"
- 45° integral stainless backsplash
- 6" high adjustable legs

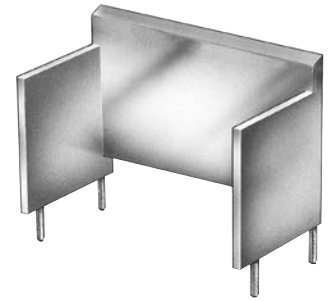
SPECIFICATIONS: Stainless steel enclosure with finished 18 gauge interior sides and back. Backsplash to be covered cornered, with 45° return at top and overall height of 6 3/4". Ends fitted with recessed heavy duty steel bars for splining units together, producing a hairline seam.



MODEL	LENGTH	DEPTH	WORK HEIGHT	OVERALL HEIGHT	SHIP WT. LBS
23348	48"	31.75"	36"	42.75"	180
23360	60"	31.75"	36"	42.75"	210
23372	72"	31.75"	36"	42.75"	240
23384	84"	31.75"	36"	42.75"	270
23396	96"	31.75"	36"	42.75"	300
233108	108"	31.75"	36"	42.75"	330
233120	120"	31.75"	36"	42.75"	360

Certifications:

PROJECT NAME:	
LOCATION:	
ITEM NO:	
QTY:	
MODEL NO:	
AIA NO:	
SIS NO:	
CSI SECTION:	11400



Shown with optional finished end

OPTIONS/ACCESSORIES:

- Dimensional Modification (Length, Height, Depth)
- Stainless Steel End(s), Back Panel
- Laminated End(s), Back Panel
- Backsplash Removed, Modified
- 90° Stainless Backsplash
- Electrical Connections
- Flanged Feet

ADDITIONAL RESOURCES:

- [Request A Quote](#)
- [Sales Tools](#)
- [Find A Rep](#)

