



CHEF SERVICE COUNTER

CUSTOM OPEN BASE UTILITY STAND MODELS 11000

Open base utility stand with 16 gauge reinforced stainless top, and integral backsplash with 45° return. Reinforced stainless steel storage shelves. 6" high adjustable and movable legs.

SHORT FORM SPEC: Randell 11000 series open shelf utility stand with 16 gauge stainless steel top reinforced with two full length channel braces and integral 6.75" covered backsplash with 45° return at top. Base shelving is 22 gauge stainless steel reinforced with welded channel bracing. Unit shipped on standard 6" high adjustable legs mounted to full length channel frame assembly allowing movement of legs to avoid floor obstacles.

AVAILABLE MODELS:

- 11318
- 11324
- 11330
- 11336
- 11342
- 11348
- 11354
- 11360
- 11372

STANDARD FEATURES:

- Available under one piece top with other modular equipment up to 16' in length
- 6" high legs—adjustable and movable
- 45° integral stainless backsplash is standard. 90° stainless backsplash is optional.

UNIT TOP: Top to be one piece of die formed 16 gauge stainless steel with 2 5/8" nosing. Backsplash to be covered cornered, with 45° return at top and overall height of 6 3/4". Ends at top fitted with recessed heavy duty steel bars for field bolting units together, producing a hairline seam. Top reinforced with (2) full length channel braces.

UNIT BODY: Body ends to be die formed stainless steel, finished and polished on the inside, with corrosion resistant exterior. Shelves to be 22 gauge stainless steel, 6 5/8" covered cornered turn up at rear, and integrally welded channel bracing. Legs to be 6" high stainless steel with adjustable bullet foot. Legs mounted to full length channel frame assembly which is integrally welded to bottom of body assembly. Legs can be moved left to right to avoid floor obstacles during installation.

NOTE: Multiple units may be built under a common top to get to longer lengths.



PROJECT NAME:	
LOCATION:	
ITEM NO:	
QTY:	
MODEL NO:	
AIA NO:	
SIS NO:	
CSI SECTION:	11400



Model 11348 shown with optional stainless steel finished end

OPTIONS/ACCESSORIES:

- Dimensional modification (L,D,H)
- Cutout in top, trash chute
- Mitered/angled corner
- Backsplash removed, modified
- Stainless riser/divider, end splash
- Urn trough
- 14 gauge top
- Cutting board
- Marine edge top, shelves
- Adjustable shelves
- Additional shelves
- Sliding doors
- Hinged door(s)
- Drawers
- Stainless steel end(s), back panel
- Laminated end(s), back panel, doors
- Electrical connections, breaker panel
- Sinks; Handwash, Utility, Dipperwell
- Built-in coldpan
- Built-in hot well, soup well
- Curb mount
- Channel base
- Casters

ADDITIONAL RESOURCES:

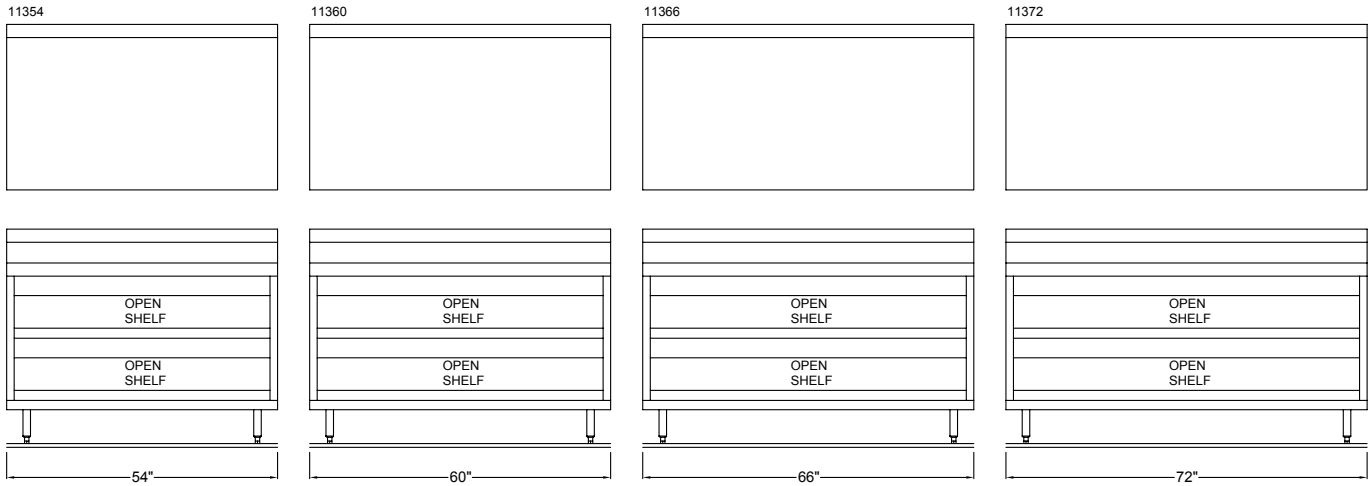
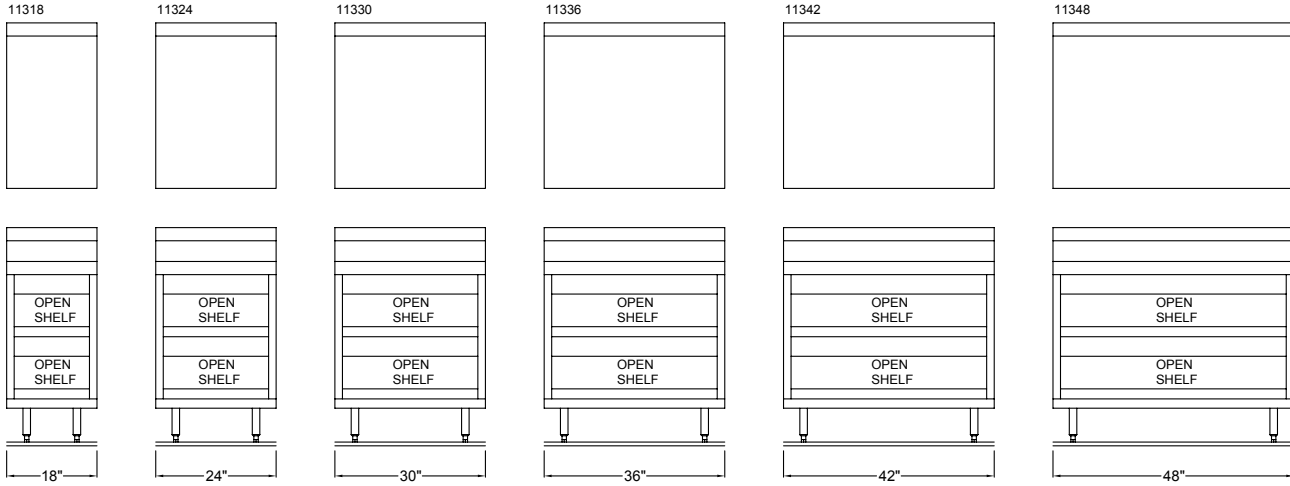
- [Request A Quote](#)
- [Sales Tools](#)
- [Find A Rep](#)
- [KCL AutoCAD/Revit](#)



Model 11348 shown with sliding doors and optional stainless steel finished end

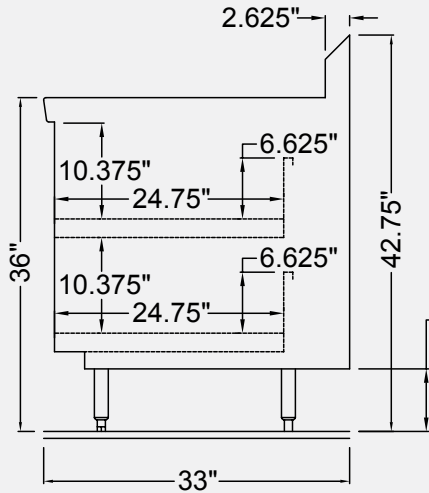


Model 11348 shown with hinged doors and optional stainless steel finished end



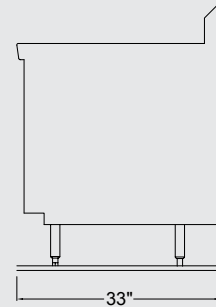
MODEL	L	D	WORK H	OVERALL H	SHIP WT. LBS
11318	18"	33"	36"	42.75"	127
11324	24"	33"	36"	42.75"	166
11330	30"	33"	36"	42.75"	180
11336	36"	33"	36"	42.75"	204
11342	42"	33"	36"	42.75"	228
11348	48"	33"	36"	42.75"	251
11354	54"	33"	36"	42.75"	277
11360	60"	33"	36"	42.75"	303
11366	66"	33"	36"	42.75"	328
11372	72"	33"	36"	42.75"	352

DIMENSIONAL DETAIL:

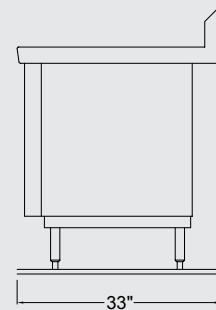


LEGS ADJUSTABLE
FROM: 6" - 7.125"
SHOWN @ 6.75"

Stainless Steel Finished End:

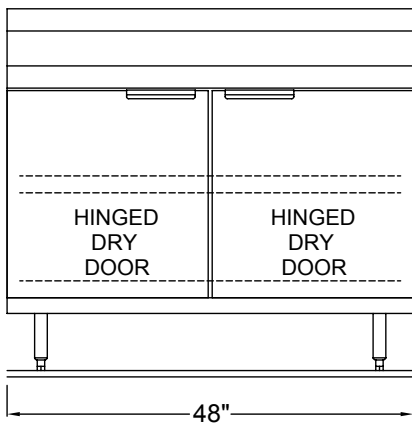


Unfinished End:



EXAMPLES:

Example: Hinged Doors (optional)



Example: Sliding Doors (optional)

