



CUSTOM

ENCLOSURE MODEL 23000

Stainless steel enclosure with stainless steel adjustable legs.

PROJECT NAME:

LOCATION:

ITEM NO:

QTY:

MODEL NO:

AIA NO:

SIS NO:

CSI SECTION: 11400

AVAILABLE MODELS:

- 23348
- 23360
- 23372
- 23384
- 23396
- 233108
- 233120

STANDARD FEATURES:

- Stainless steel interior for enclosing floor model cooking equipment
- 6" high adjustable legs
- Can be ordered with vent system to make complete freestanding assembly
- If unit is fitted with vent, then backsplash will be 3" thick to meet NFPA 96
- 45° integral stainless backsplash is standard. 90° stainless backsplash is optional.

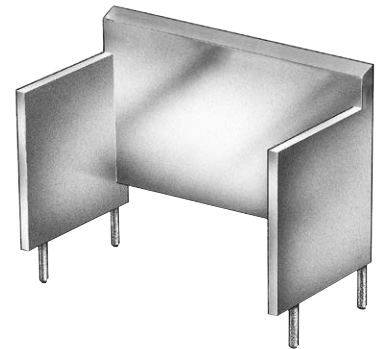
SPECIFICATIONS:

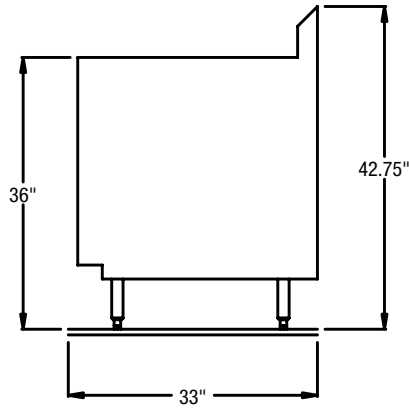
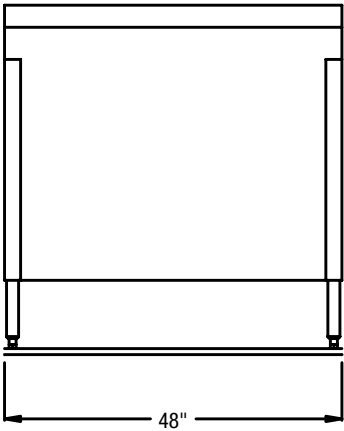
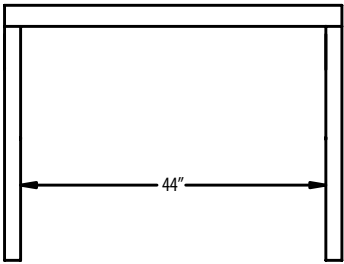
Stainless steel enclosure with finished 18 gauge interior sides and back. Backsplash to be covered cornered, with 45° return at top and overall height of 6 3/4". (If fitted with vent system, standard backsplash to be omitted and unit fitted with 3" thick backsplash to meet NFPA 96). Ends fitted with recessed heavy duty steel bars for splining units together, producing a hairline seam. Standard corrosion resistant exterior ends.

This equipment is intended for use in rooms having an ambient temperature of 86°F (30°C) or less.

ORIGIN OF MANUFACTURE: Designed and manufactured in the United States.

Custom, Enclosure. Model shown with optional finished end.





29" Deep									
Length	42"	48"	60"	66"	72"	84"	96"	108"	120"
Height*	36"	36"	36"	36"	36"	36"	36"	36"	36"
Ship Wt. (lbs)	175	190	218	232	247	275	304	332	361
33" Deep									
Length	42"	48"	60"	66"	72"	84"	96"	108"	120"
Model No.	23342	23366	23378	23396	23602	23608	23614	23620	233108
Height*	36"	36"	36"	36"	36"	36"	36"	36"	36"
Ship Wt. (lbs)	175	190	218	232	247	275	304	332	361

- Equipment shelf depth is 25" deep on 29" deep equipment.
- Equipment shelf depth is 29" deep on 33" deep equipment.
- Inside clearance = total unit length less 3"

* All units 6" high adjustable legs.