



SMARTSTEAM100 BOILERLESS STEAMER

GAS MODEL SSB-5G/GF

Steamer shall be a Groen Model SSB-5G/GF SmartSteam100™ stainless steel, boilerless, convection steamer with a self-contained atmospheric 58,000 BTU/hr gas steam generating reservoir.

CONSTRUCTION: Steamer cavity and cabinet shall be all stainless steel construction, with removable right and left-side panels, providing access to internal components. Steamer shall have no side vents for increased water/spray resistance. Steamer door shall be all stainless steel with a strong continuous hinge and field-reversible for left or right swing. Door shall be insulated and provided with a one-piece, replaceable seal. Hands free door handle and latch shall provide positive lock and seal when door is pushed or slammed shut. A hidden magnetic door switch shall cut power to blower fan and shut down power to the steam generating reservoir when the door is opened. Pan support racks shall be stainless steel and removable for easy cleaning. A stainless steel condensate collection tray shall be positioned under the cavity door.

FINISH: Cabinet exterior, including door, shall be a #3 uniform finish. Cavity interior shall be polished stainless steel. Control panel face plate shall be smudge-resistant polyester film, ensuring maximum ease in cleaning and maintenance of an attractive appearance.

CSA LISTING: Steamer shall be CSA (formerly CGA) design certified.

SANITATION: Steamer shall be designed and manufactured to meet NSF requirements and all known health codes. Steamer shall be NSF listed.

CONTROLS: Steamer controls shall include an on-off rocker switch; electronic timer, with continuous steam, timed steam and stop buttons; READY light which indicates when cavity is warm and ready for steaming.

PERFORMANCE FEATURES: Steamer cavity shall have a powerful, side-mounted blower to increase steam velocity and provide efficient steam distribution throughout the cavity and between loaded pans. Steam generator shall deliver 11,600 BTU/hr of power input per 2-1/2" deep steam pan. Steamer shall have a steam lid positioned over the steam generating reservoir to ensure

that adding/removing food does not lower the water temperature. Heat up time to READY shall typically be 15 minutes or less. Cavity is kept warm and ready for instant steam between loads. No cavity warm up required after READY light comes on.

ATMOSPHERIC STEAM GENERATING RESERVOIR: Steamer shall have a gas-heated steam generating reservoir to provide atmospheric steam to the cavity at a temperature of approximately 212° F. The high-efficiency steam generating reservoir shall have water level sensors. Gas heater shall have infrared burners with a firing rate of 58,000 BTU/hr. Acidic products and other commercial chemicals shall not be used to clean the steamer. A daily wipe down of the steamer cavity, steam lid and floats is sufficient to maintain optimal operation of the steamer. However, Groen Descaler or approved equal may be required.

PAN CAPACITY:

Pan Size/ Type	Total
12 x 20 x 1"	10
12 x 20 x 2 1/2"	5
12 x 20 x 4"	3

INSTALLATION: Each steamer shall require natural or propane (specify) gas service via a 1/2 NPT gas supply line or approved equivalent. Each cavity shall have (2) 3/4" NH cold water supply line connections and a single 1-1/2" free venting drain connection. Each steamer shall require 115 Volt, single-phase electrical service.

WATER SUPPLY REQUIREMENTS: Steamer must be connected to an on-site water supply. Water supply at 30 - 60 PSIG with flow at .75 - 1.5 GPM per cavity.

ORIGIN OF MANUFACTURE: Designed and manufactured in the United States.

PROJECT NAME:

LOCATION:

ITEM NO:

QTY:

MODEL NO:

AIA NO:

SIS NO:

5-Pan Boilerless Convection Steamer, table top or stand-mounted, stainless steel, self-contained, gas heated. (Model SSB-5EF shown)



OPTIONS/ACCESSORIES:

- Factory Stacking Kit
- Stainless Steel Support Stand
- Pan Rack Kit (for support stand)
- Flanged Foot Kit (for support stand)
- Caster Kit (for support stand)
- High Altitude Kit (above 2000', specify)
- Heat Shield Kits
- 4" Adjustable Legs (table top only)
- Single water connection

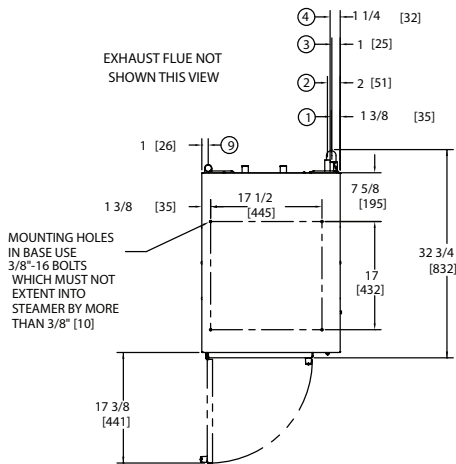


SERVICE CONNECTIONS & NOTES:

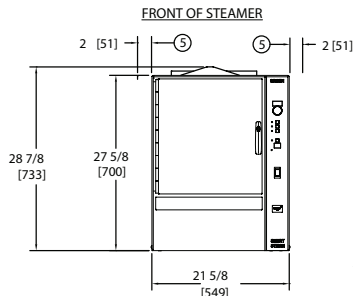
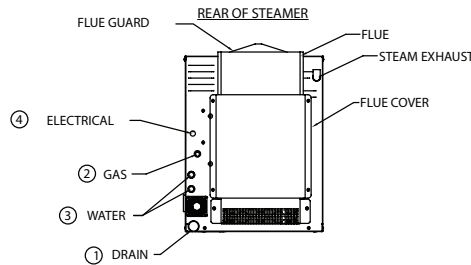
- ① DRAIN CONNECTIONS: 1 1/2" [38] TUBE FREE VENTING
DO NOT CONNECT DIRECTLY TO DRAIN. ALLOW 2" AIR GAP
- ② GAS CONNECTION: 1/2" NPT
GAS LINE MUST DELIVER 100,000 BTU'S MINIMUM
- ③ WATER SUPPLY: (2) 3/4" MALE HOSE CONNECTION.
30-60 PSIG WITH A FLOW RATE OF 1.50 GPM.
ONE EACH MAIN & CONDESATE, PRESSURE REGULATOR
REQUIRED FOR WATER PRESSURE OVER 60 PSI

- ④ ELECTRICAL CONNECTION: 120VAC, 60Hz, 15AMP
CONDUIT SIZE: 13/16" HOLE
- ⑤ CLEARANCES:
EACH SIDE = 2" [51]
REAR = 6" [152]
- ⑥ DIMENSIONS IN BRACKETS [] ARE MM.
- ⑦ STEAM FREE ZONE: STEAMERS FLOOR DRAIN
NOT TO BE LOCATED WITHIN ZONE. ALTERNATE
EQUIPMENT THAT DRAIN CAUSING STEAM
NOT TO BE DRAINED IN STEAM FREE ZONE
- ⑧ DO NOT INSTALL STEAMER DIRECTLY
ABOVE STEAM VENTING FLOOR DRAINS
- ⑨ STEAM EXHAUST

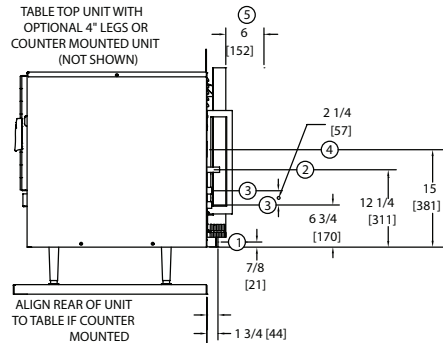
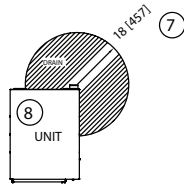
P/N 145120 REV M



EACH COMPARTMENT	NATURAL GAS	PROPANE GAS
GAS OPERATING PRESSURE	4.3" W.C.	10.5" W.C.
MAX. INPUT-BTU/HR	58,000	58,000
RECOMMENDED INCOMING GAS FEED RATE	5"W.C. MIN 14"W.C. MAX	12"W.C. MIN 14"W.C. MAX



STEAM FREE ZONE
SEE NOTES



OPTIONAL SUPPORT STAND

