

# CUSTOM

## HOT FOOD TABLE ACCESSORIES

PROJECT NAME:

LOCATION:

ITEM NO:

QTY:

MODEL NO:

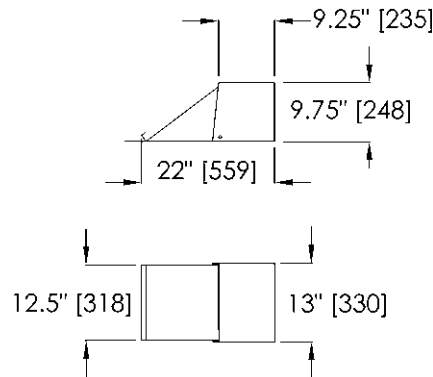
AIA NO:

SIS NO:

CSI SECTION: 11400

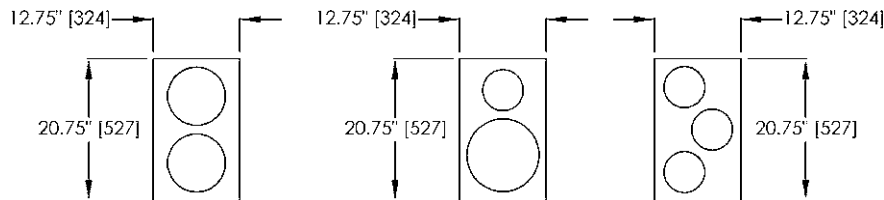
**TELESCOPING ROLL COVERS:**

18 gauge stainless steel telescoping cover with hinge pins in friction-free nylon bushings. Chrome plated handle is provided. Stainless steel condensation frame provided to direct drippage into heated well.



**ADAPTOR PLATES:**

Stainless steel plate with edges turned down, and cut-outs for inserts. (Inserts by others).



**COUNTER PROTECTOR:**

Stainless steel tubular frame assembly with removable glass panels on top, back, and sides. Glass rimmed with stainless steel molding, mounted to allow cleaning of unit top.

