



STEAMERS

HYPERSTEAM PRESSURELESS STACKED ELECTRIC MODEL (2)HY-5EF

Steamer shall be Groen Model (2)HY-5EF stainless steel stacked pressureless steamers, each with a self-contained atmospheric 15.5KW electric steam generator.

CONSTRUCTION: Each steamer cavity and cabinet shall have all stainless steel construction with removable right side and left side panels providing access to internal components. Inter-unit water catch pan with rear drain shall separate units. Steamer doors are all stainless steel with strong continuous hinge and are field reversible for left or right swing. Doors shall be insulated and provided with a one piece, replaceable seal. Hands free door latch shall provide positive lock and seal when door is pushed or slammed shut. Hidden magnetic door switch cuts power to convection fan and shuts down power to the steam generator when the door is opened. Pan support racks shall be polished stainless steel and removable for easy cleaning. A stainless steel condensate collection tray is positioned under each cavity door.

FINISH: Cabinet exterior, including doors, shall be finished to a #3 uniform finish. Cavity interiors are mirrored stainless steel. Control panel face plates shall be smudge resistant polyester film, ensuring maximum ease in cleaning and maintaining an attractive appearance.

UL & CUL LISTING: Steamers shall be UL and Canadian UL listed.

SANITATION: Unit shall be designed and manufactured to meet NSF codes and be NSF listed. Unit shall allow operator to delime each steam generator through delimiting ports on top, without tools or service call. Push button auto-clean feature is standard.

CONTROLS: Steamer controls for each unit shall include an ON/OFF power button; 60-minute mechanical timer, with continuous steam setting; and READY light which indicates when cavity is ready for steaming. Auto-clean button initiates delimiting cycle.

PERFORMANCE FEATURES: Each steamer shall have a powerful side-mounted convection fan, which increases steam velocity and provides efficient steam distribution throughout cavity and between loaded pans. Steam generator delivers 3.1 KW power input per 2-1/2" deep

steam pan. Heat up time to READY shall be 10 minutes or less under normal conditions. Cavity is kept warm and ready for instant steam between loads. No cavity warm up required, after READY light comes on. Delime indicator light warns operator of need to delime steam generator. Unit will shut off if water level is low. When power is turned off, unit automatically drains that steam generator, to reduce sediment build-up.

ATMOSPHERIC STEAM GENERATORS: Each unit shall have an electric heated rear mounted steam generator, to provide atmospheric steam to the chamber at a temperature of approximately 212°F. Each steam generator has an electric water sensor and 8KW electric heating element which is replaceable from the side.

PAN CAPACITY:

Pan Size/Type	Per cavity	Total
12 x 20 x 1"	10	20
12 x 20 x 2-1/2"	5	10
12 x 20 x 4"	3	6

INSTALLATION: Unit requires two 208, 240 or 480 volt, single or three phase electrical service connections. Unit requires two 3/4" NH cold water supply lines and 1-1/2" free venting drain.

WATER QUALITY REQUIREMENTS:

Containment	Water Supply
pH	7 to 9
Total Dissolved Solids (TDS)	30 to 60 ppm
Hardness	less than 60 ppm
Chlorine and Chloramine	less than .1 ppm
Chlorides	less than 30 ppm
Silica	less than 12 ppm
Undissolved Solids	less than 5 microns

CONTINUED ON BACK...

Certifications:

PROJECT NAME:	
LOCATION:	
ITEM NO:	
QTY:	
MODEL NO:	
AIA NO:	
SIS NO:	
CSI SECTION:	11400



Model (2)HY-5EF shown

OPTIONS/ACCESSORIES:

- 153119 - PureSteam™ Water Treatment System
- 175995 - QT11+CR Water Treatment System
- Reverse Osmosis Systems
- 144475 - Single Water Connection (Cold Water) Adaptor
- 152408 - Field Drain Tempering Kit
- Z098611 - Caster Kit
- 146301 - Flanged Foot Kit
- 159453 - Steamer Shelf
- 114800 - Delimer/Descaler (4) Pack
- 154585 - 1-Year Warranty Extension

ADDITIONAL RESOURCES:

[Request A Quote](#)

[Sales Tools](#)

[Find A Rep](#)

HyPerSteam
140808 RevG

02/25

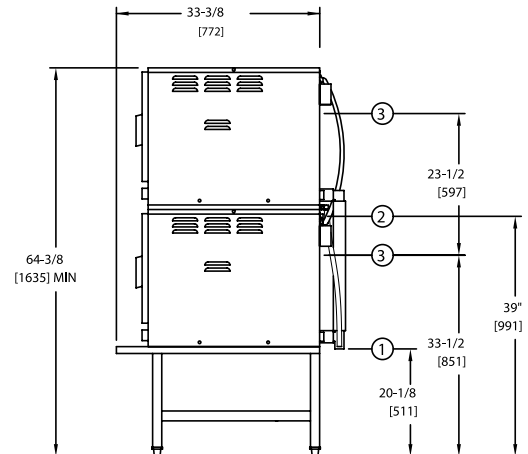
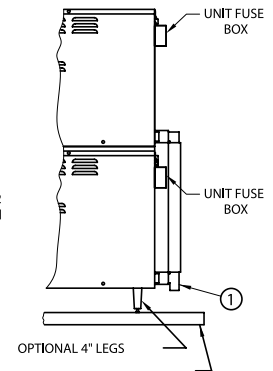
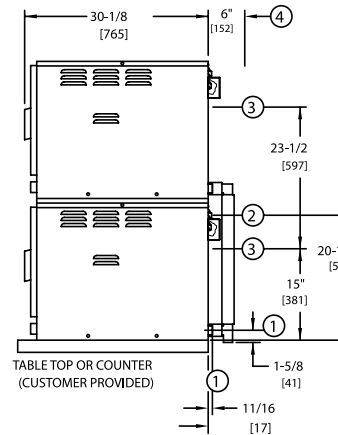
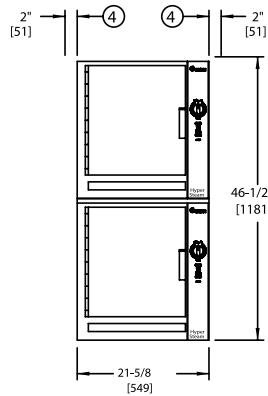
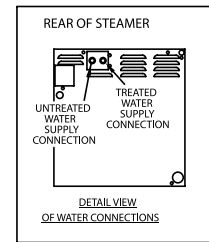
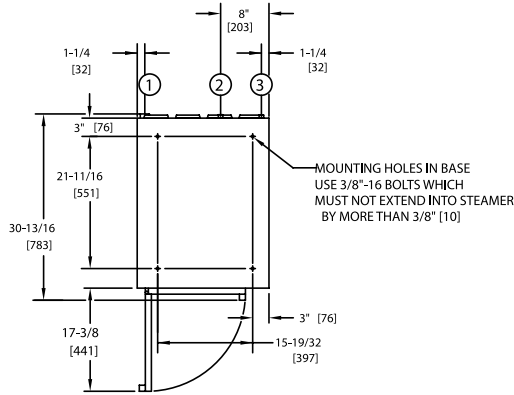
In order to accurately choose the correct water treatment solution, a water quality test must be performed. If a "Free Start-up" is requested, the ASA will perform a water quality test and Groen will be able to suggest the best solution for your water quality. If it isn't, your local manufacturing representative can coordinate this for you.

After the "Free Start-up" is performed, Groen will add an additional 1-year parts and labor warranty. If Groen suggests a water treatment system, the system is purchased from Groen, installed, and maintained. Water related service issues will be covered for the duration of the warranty period.

SERVICE CONNECTIONS & NOTES:

- ① DRAIN CONNECTION: 2" [51] TUBE (DRAIN FREE VENTING).
- ② TREATED & UNTREATED WATER SUPPLY AT 30 TO 60 PSIG WITH A FLOW RATE OF 0.75-1.50 GPM PER CAVITY (1.50-3.00 GPM TOTAL) AND WITH TWO 3/4" NH CONNECTIONS.
- ③ TWO ELECTRICAL CONNECTIONS: 1" [25] CONDUIT FITTING.
- ④ MINIMUM REAR AND SIDE CLEARANCE: REAR = 6" [152] LEFT SIDE = 2" [51] RIGHT SIDE = 2" [51]
- ⑤ DIMENSIONS IN BRACKETS [] ARE MM.

ELECTRICAL REQUIREMENTS (EACH UNIT)			
VOLTAGE	PHASE	AMPS	MAX. KW
208	1	74.5	15.5
	3	44	15.5
240	1	64.6	15.5
	3	38.2	15.5
480	1	32.3	15.5
	3	19.1	15.5



SIDE VIEW