



9000K OPTIONAL GLASS LID

Finally, full visibility of your products — even with the lid closed. Now keep your products fresh and visible at the same time, while also reducing the labor to manage multiple lids.



shown with exclusive pass-over shelf and optional stainless steel back



protector different than shown



GLASS LID FEATURES:

- Lift-assist design lifts the lid in one easy motion for a safe operation and easy-to-clean surfaces
- Unlike standard lids that have metal to metal contact, our 9000K glass lid has a rubber bumper to ease wear and tear on surface of unit

K-SERIES MODELS:

- 9030K-7M-
- 9040K-7M-
- 9045K-7M-

NUMBER OF PANS:

- (3) Full size or (18)1/6 size pans
- (4) Full size or (24)1/6 size pans
- (5) Full size or (30)1/6 size pans

HINGED GLASS COVER ONLY:

- SMCVRHG48
- SMCVRHG60
- SMCVRHG72

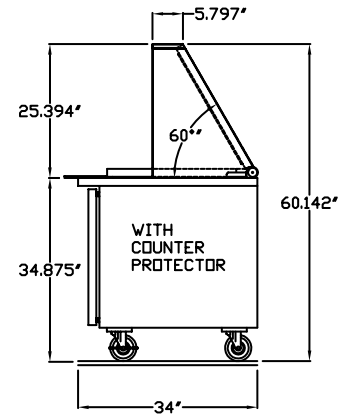
HINGED GLASS COVER PLUS EXCLUSIVE PASS-OVER SHELF WITH LED LIGHTING:

- SMCVRHGCP48
- SMCVRHGCP60
- SMCVRHGCP72

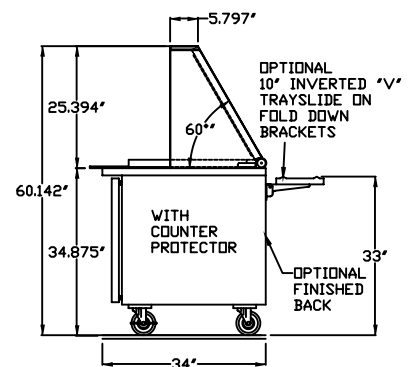
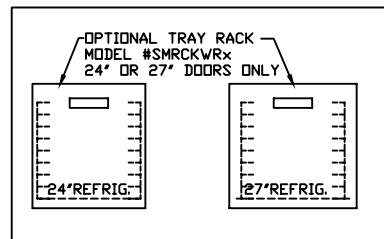
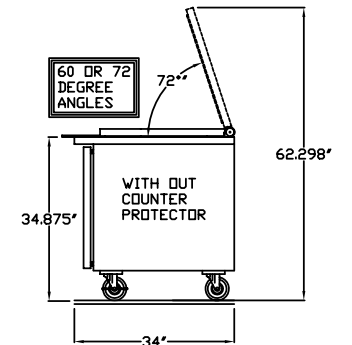
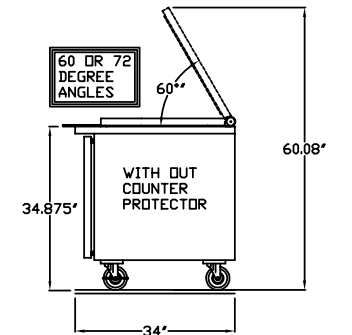
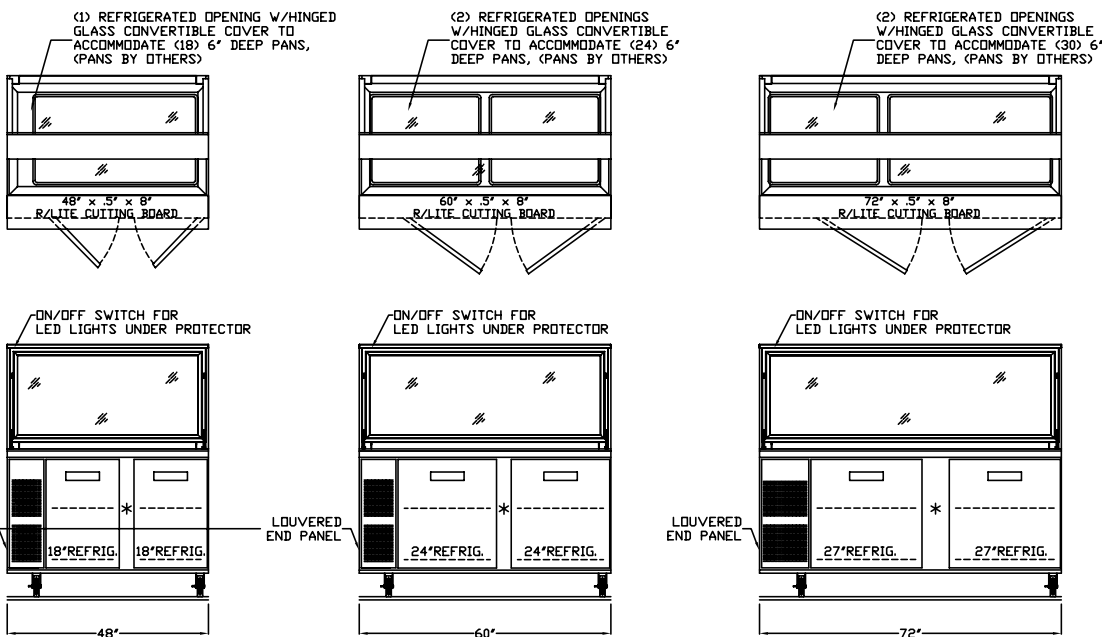
9000K OPTIONAL GLASS LID SPECIFICATIONS:

	Part No.	Length	Depth	Height	Doors	Pan Capacity	HP	VOLT	AMPS	NEMA	Approx. Weight
GLASS LID	9030K-7M-	48"	34"	34.875"	(2)18"	(3)1/1 or (18)1/6	1/3	115/60/1	9	5-15P	380
	9040K-7M-	60"	34"	34.875"	(2)24"	(4)1/1 or (24)1/6	1/3	115/60/1	9	5-15P	500
	9045K-7M-	72"	34"	34.875"	(2)27"	(5)1/1 or (30)1/6	3/8	115/60/1	12	5-15P	545
GLASS LID WITH LED LIGHTS	9030K-7M-	48"	34"	34.875"	(2)18"	(3)1/1 or (18)1/6	1/3	115/60/1	12	(2)5-15P	410
	9040K-7M-	60"	34"	34.875"	(2)24"	(4)1/1 or (24)1/6	1/3	115/60/1	12	(2)5-15P	530
	9045K-7M-	72"	34"	34.875"	(2)27"	(5)1/1 or (30)1/6	3/8	115/60/1	15	(2)5-15P	545

SIDE VIEW:



FRONT VIEWS:



888.994.7636
unifiedbrands.net

Unified Brands and its Groen, Randell, Avtec, A la Cart, and Power Soak product lines have leading industry positions in cooking equipment, cook-chill production systems, custom fabrication, foodservice refrigeration, ventilation, conveyor systems, and continuous motion ware washing systems. As an operating company within the Refrigerated and Food Equipment Segment of Dover Corporation, Unified Brands is headquartered in Conyers, GA, and has operations in Michigan, Mississippi and Oklahoma.

© 2015 Unified Brands. All Rights Reserved. Unified Brands is a wholly-owned subsidiary of Dover Corporation. 07/15