



HYPLUS PRESSURELESS STEAMER

PRESSURELESS STEAMER & ELECTRIC BOILER MODEL HY-10SE

Groen HyPlus pressureless steamer with electric heated pressure boiler mounted in a cabinet base. All stainless steel construction, with two independent steamer chambers each with powerful blower to circulate steam within cavity and individual 60 minute timer with constant steam setting. Doors are insulated, field reversible with easy open latch and hidden magnetic door switch. Drip sink with condensate drain is provided under cavity doors. Five (2 1/2" deep) pan capacity per chamber. Cabinet base has stainless steel frame, all stainless steel exterior with front access panel and adjustable bullet feet. Boiler is constructed for 15 PSI maximum, with choice of 24, 36 or 48KW power input. Power takeoff to divert steam to adjacent equipment is standard on all 36 and 48KW units. Unit comes standard with automatic boiler drain.

CONSTRUCTION: Steamer cavities and cabinet base are all stainless steel construction. Steamer unit has a unitized body, with removable right side panel providing access to internal components. Steamer doors are all stainless steel with strong continuous hinge and are field reversible for left or right swing. Doors are insulated and provided with a one piece, replaceable seal. Easy open handle and latch provides positive lock and seal when door is pushed or slammed shut.

Hidden magnetic door switch cuts power to blower and steam flow to that cavity, when the door is opened. Pan support racks are polished stainless steel and removable for easy cleaning. Wide drip sink with condensate drain is positioned under cavity doors.

Cabinet base has a stainless steel frame with all stainless steel top deck, with hinged front access panel and removable side and rear panels standard. Front and rear legs have adjustable bullet feet.

FINISH: Cabinet exterior including doors are finished to a #3 uniform finish. Cavity interiors are polished stainless steel. Control panel face plates are smudge resistant polyester film, ensuring maximum ease in cleaning and maintaining a brilliant finish.

CONTROLS: Steamer cavity controls are mounted on the front panel for easy replacement or repair and include separate ON-OFF/60 minute timer control with constant steam setting, for each cavity. Electric boiler is provided with a power-ON switch, RESET light, start switch, low water sensor, pop safety valve, water level sight glass and outside cabinet mounted pressure gauge.

PERFORMANCE FEATURES: Unit will shut off if water level is low or unit builds too much pressure. When power switch is turned "off", the boiler automatically drains to reduce sediment build-up, after water has cooled to 130°F. Each steamer cavity has a powerful side mounted blower, which increases steam velocity and provides efficient steam distribution throughout cavity and between loaded pans.

CABINET BASE STEAM SOURCE: Unit has an electric heated cabinet mounted pressure boiler to provide atmospheric steam to each chamber at a temperature of approximately 212°F. Boiler is constructed for 15 PSI maximum, 24KW model delivers 2.2 boiler horsepower, the 36KW model delivers 3.5 boiler horsepower and the 48 KW model delivers 4.7 boiler horsepower.

PAN CAPACITY:

Pan Size	Per Cavity	Total
12 x 20 x 1"	10	20
12 x 20 x 2 1/2"	5	10
12 x 20 x 4"	3	6

INSTALLATION: Specify 208, 240 or 480 Volt, 3 phase, 60 cycle electrical service. Unit requires two 1/2" NPT cold water supply line and 1 1/4" NPT free venting drain.

STEAM SOURCE FOR ADJACENT EQUIPMENT:

A 1/2" NPT power take-off valve is standard on all 36 and 48KW units. To ensure proper performance, boiler must be properly sized to meet boiler horsepower requirements of steamer cavities and additional equipment. Appropriate steam traps and piping must be professionally installed.

WATER SUPPLY REQUIREMENTS:

All water boiler systems are subject to contamination and failure due to mineral content found in most water supplies. To minimize service problems, a water treatment (softening) system is recommended when water quality is found to exceed limits stated below and in operator manual. Recommended MINIMUM water quality standards are: Total dissolved solids (TDS) content should not exceed 30 parts per million; and the water pH should be 7.0 to 9.0.

ORIGIN OF MANUFACTURE:

Designed and manufactured in the United States.

PROJECT NAME:

LOCATION:

ITEM NO:

QTY:

MODEL NO:

AIA NO:

SIS NO:

10 Pan Capacity Stainless Steel Pressureless Steamer With Electric Pressure Boiler In Cabinet Base.



OPTIONS/ACCESSORIES:

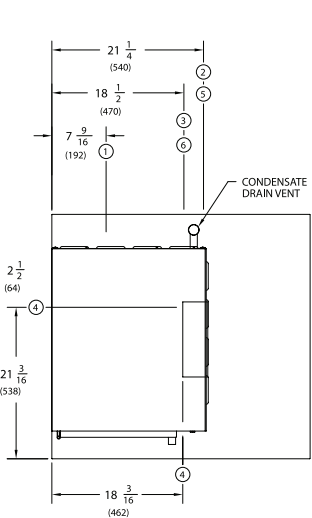
- Flanged mounting feet
- Single water connection



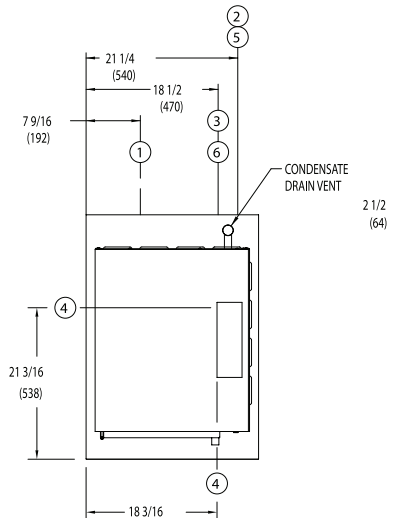
SERVICE CONNECTIONS:

- ① DRAIN CONNECTION: 1 1/4"(42) NPT (INCLUDES AUTOMATIC & MANUAL BOILER, STEAMERS, & CONDENSATE SPRAY)
- ② TREATED WATER SUPPLY: 1/2"(21) NPT (FOR BOILER & CONDENSATE SPRAY)
- ③ UN-TREATED WATER SUPPLY: CONDENSATE SPRAY 3/8"(17) NPT
- ④ MAIN ELECTRICAL CONNECTION (ALL UNITS): 1 31/32"(51) DIA. HOLE (REF. 1 1/2" CONDUIT KNOCK-OUT)
- ⑤ AUX. ELECTRICAL CONNECTION (208V/240V 48KW ONLY): 1 3/32"(28) DIA. HOLE (REF. 3/4" CONDUIT KNOCK-OUT)
- ⑥ STEAM POWER TAKE-OFF: 1/2"(21) NPT
- ⑦ MINIMUM CLEARANCE REQUIRED
- ⑧ DIMENSIONS IN BRACKETS () ARE MM.

162023 REV C



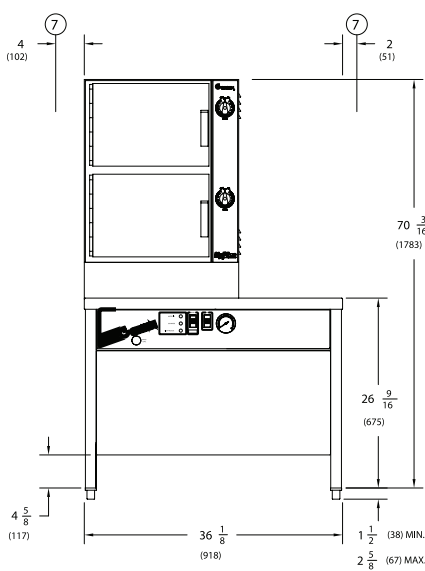
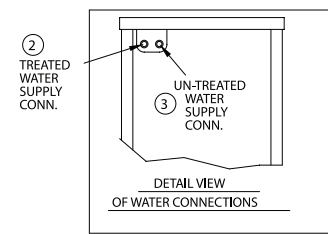
TOP VIEW
36" CABINET



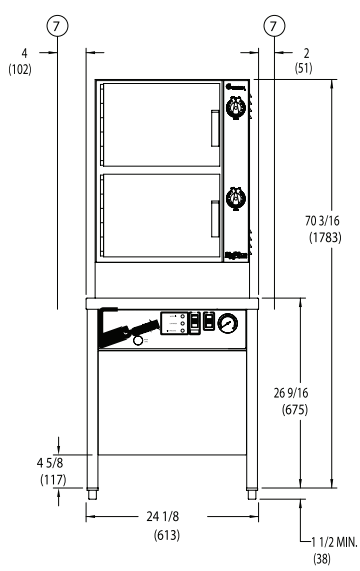
TOP VIEW
24" CABINET

	MAXIMUM HEATER ELEMENT CURRENT *		
	208V	240V	480V
24KW	67A	58A	29A
36KW	100A	87A	44A
48KW	134A	116A	58A

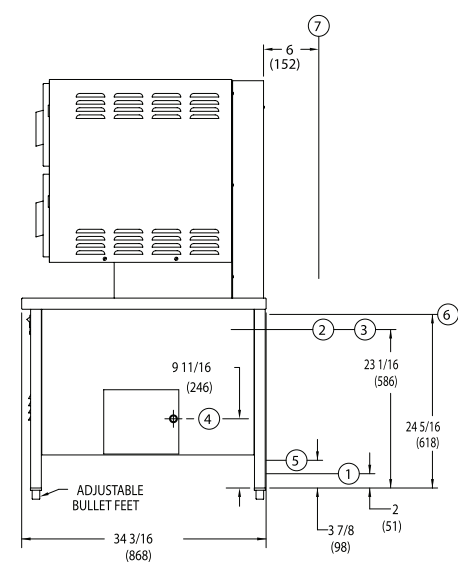
* AMPS (EACH LINE). 3 PHASE



FRONT VIEW
36" CABINET



FRONT VIEW
24" CABINET



RIGHT SIDE VIEW
ALL CABINETS