



HYPLUS PRESSURE BOILER

PRESSURELESS STEAMER & GAS BOILER MODEL HY-6SG

Steamer shall be a Groen HyPLUS™ Model HY-6SG stainless steel twin cavity, 6-pan pressureless steamer, with cabinet-mounted 200,000 BTU gas steam boiler.

CONSTRUCTION: Steamer cavities and cabinet base shall be all stainless steel construction. Steamer unit shall have a unitized body, with removable lift-off panels providing access to internal components. Steamer doors are all stainless steel with strong continuous hinge and are field-reversible for left or right swing. Doors shall be insulated and provided with a one-piece, replaceable seal. Easy-open handle and latch shall provide positive lock and seal when door is pushed or slammed shut. Hidden magnetic door switch cuts power to blower and steam flow to that cavity, when the door is opened. Pan support racks shall be electro-polished stainless steel and removable for easy cleaning. Wide drip sink with condensate drain is positioned under cavity doors. 24" wide cabinet base shall have stainless steel frame with all stainless steel top deck, removable lift-off panels standard. Front and rear legs shall have adjustable bullet feet. Flanged feet are an available option.

FINISH: Cabinet exterior, including doors, shall be finished to a #3 uniform finish. Cavity interiors are electro-polished stainless steel. Control panel face plates shall be smudge-resistant polyester film.

ASME CODE, AGA & UL LISTINGS:

Cabinet-mounted boiler shall be ASME Code-constructed and National Board registered for operation up to 15 PSI. Gas boiler shall be design-certified by the American Gas Association and steamer unit is UL-listed.

SANITATION: Unit shall be designed and manufactured to be NSF-listed, meeting regulatory known health department and sanitation codes.

CONTROLS: Steamer Cavity controls shall be mounted on the front panel for easy replacement or repair and include a separate ON-OFF 60-minute timer control with a constant steam setting, for each cavity. Gas boiler shall be provided with a gas control valve, power-ON switch, RESET light, start switch, low water sensor, pop safety valve, water level sight glass on front panel and outside cabinet-mounted pressure gauge.

PERFORMANCE FEATURES: Unit will shut off if water level is low or unit builds too much pressure. When power switch is turned "OFF," the boiler automatically drains to reduce sediment build-up, after water has cooled to 170°F. Each steamer cavity shall have a powerful side-mounted

blower, which increases steam velocity and provides efficient steam distribution throughout cavity and between loaded pans. Boiler delivers approximately 20,000 BTU/hr input per 2 1/2" deep steam pan capacity. Unit comes standard with electronic ignition.

CABINET BASE STEAM SOURCE: Unit shall have gas-heated, cabinet-mounted pressure boiler to provide atmospheric steam to each chamber at a temperature of approximately 212° (F). The 200,000 BTU generator delivers 3.7 boiler horsepower. Unit comes standard with electronic ignition.

PAN CAPACITY:

Pan Size/Type	Per cavity	Total
12 x 20 x 1"	6	12
12 x 20 x 2 1/2"	3	6
12 x 20 x 4"	2	4

INSTALLATION: Unit requires gas service via 1/2" NPT pipe or approved equivalent. Specify type of gas. Unit requires two 1/2" NPT cold water supply line, 1-1/4" NPT free venting drain; and 115 volt, single phase, 60 cycle 15 AMP electric service, 4 AMP maximum load.

STEAM SOURCE FOR ADJACENT EQUIPMENT: A 1/2" NPT power take-off valve shall be standard. To ensure proper performance boiler must be properly sized to meet boiler horsepower requirements of steamer cavities and additional equipment. Appropriate steam traps and piping must be professionally installed.

WATER SUPPLY REQUIREMENTS: All water boiler systems are subject to contamination and failure due to mineral content found in most water supplies. To minimize service problems, a water treatment (softening) system is recommended when water quality is found to exceed limits stated below and in operator manual. Recommended MINIMUM water quality standards are: Total dissolved solids (TDS) content should not exceed 30 parts per million; and the pH should be 7.0 or higher.

ORIGIN OF MANUFACTURE: Designed and manufactured in the United States.

PROJECT NAME:

LOCATION:

ITEM NO:

QTY:

MODEL NO:

AIA NO:

SIS NO:

6-Pan capacity stainless steel pressureless steamer, with gas pressure boiler in cabinet base. (model HY-6SG shown)



OPTIONS/ACCESSORIES:

- Flanged mounting feet
- Independant water supply for condensate spray
- Single water connection (cold water)

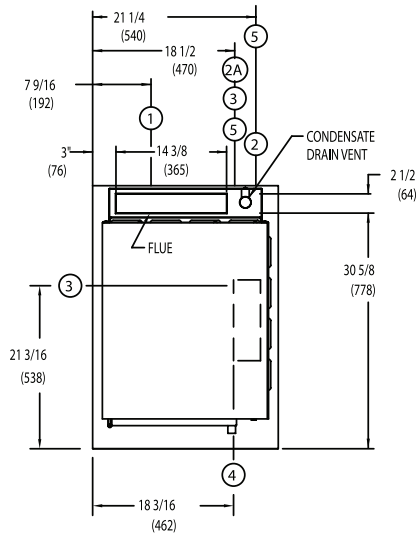


P/N 123011 REV C

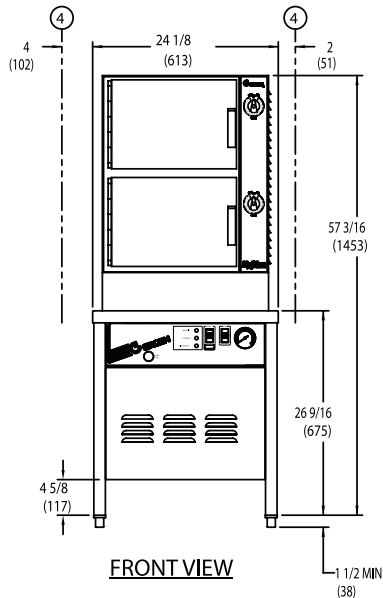
SERVICE CONNECTIONS:

1. DRAIN CONNECTION: 1 1/4 NPT (INCLUDING AUTOMATIC & MANUAL STEAM GENERATOR, & CONDENSATE SPRAY)
2. TREATED WATER SUPPLY AT 30 TO 60 PSIG WITH A FLOW RATE OF 1.50-3.00 GPM AND WITH A 3/4" NH CONNECTION.
- 2A. UNTREATED WATER SUPPLY AT 30 TO 60 PSIG WITH A FLOW RATE OF 1.50-3.00 GPM AND WITH A 3/4" NH CONNECTION.
3. ELECTRICAL CONNECTION: 7/8" DIA. HOLE (REF. 1/2" CONDUIT KNOCKOUT) 120V 2.5 AMPS, OR 230V, 2 AMPS, 50/60 HZ
4. MINIMUM CLEARANCE REQUIRED: REAR = 6" [152], LEFT SIDE = 4" [102], RIGHT SIDE = 2" [51]
5. GAS CONNECTION: 1/2 NPT
6. STEAM POWER TAKE-OFF: 1/2 NPT

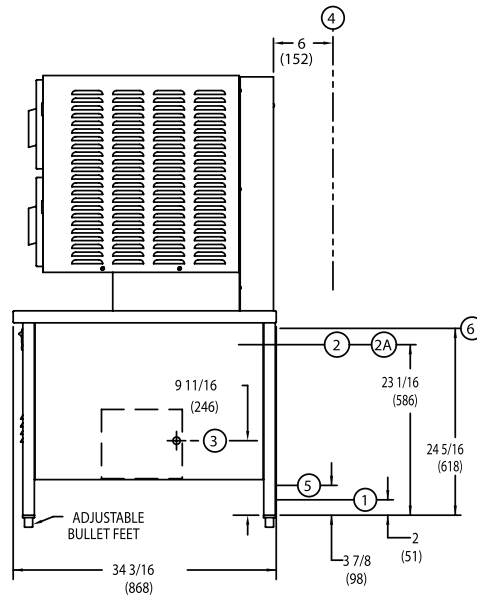
*W.C.=WATER COLUMN	NATURAL GAS	PROPANE GAS
GAS OPERATING PRESSURE	3.5" W.C.	10.0" W.C.
RECOMMENDED INCOMING GAS FEED RATE	5"W.C. MIN 14"W.C. MAX	11"W.C. MIN 14"W.C. MAX
MAX. INPUT-BTU/HR	200,000	
MAX. OUTPUT-BTU/HR	120,000	
STEAM GENERATOR HORSEPOWER: 3.7		



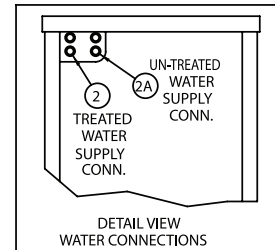
TOP VIEW



FRONT VIEW



RIGHT SIDE VIEW



DIMENSIONS IN BRACKETS [] ARE MM.

1 1/2 MIN. (38)
2 5/8 MAX. (67)