



CUSTOM

REMOTE RECESSED COLDWALL REFRIGERATOR MODEL 53000PO

Remote refrigerator storage units with mechanically cooled pan opening. These units are offered in variety of lengths to meet your specific base storage or pan storage requirements. The mechanically cooled pan opening uses Randell's exclusive design technologies, such as our Exclusive Refrigerated Pan Opening Thermostat allowing customers to make adjustments to the opening temperatures (independent of the base).

PROJECT NAME:

LOCATION:

ITEM NO:

QTY:

MODEL NO:

AIA NO:

SIS NO:

CSI SECTION: 11400

AVAILABLE MODELS:

- 53333PO
- 53336PO
- 53339PO
- 53348PO
- 53351PO
- 53354PO
- 53357PO
- 53360PO
- 53369PO
- 53372PO
- 53375PO
- 53378PO
- 53381PO
- 53387PO
- 533102PO
- 533114PO

STANDARD FEATURES:

- Low profile 2" recess pan design provides easy reach and optimal pan temperatures & reliability
- Full Length Poly Cutting Board
- Front breathing compressor housing with directed air flow- Randell Exclusive
- Easy maintenance Press-Fit gaskets- A Randell Exclusive
- Pan opening thermostat- A Randell Exclusive
- Drain in pan opening for easy cleaning
- Hinged Removable stainless steel covers
- Foamed in place urethane insulation providing superior insulation and durability
- 6" high adjustable legs, moveable left to right if needed
- Available up to 16' under one common assembly
- Adapter bars are standard to accommodate a compliment of 1/6 size pans

CABINET EXTERIOR: Top to be one piece of die formed 16 gauge stainless steel with 2 1/2" nosing. Backsplash to be covered cornered, with 45° return at top and overall height of 6 3/4". Ends at top fitted with recessed heavy duty steel bars for field bolting units

together, producing a hairline seam. Exterior body to be corrosion resistant steel. Door opening frames are ABS and contain magnetic strip for positive seal of door gaskets. Work surface to be at 36" work height. Legs to be 6" high stainless steel with adjustable bullet foot. Legs mounted to full length channel frame assembly which is integrally welded to bottom of body assembly. Legs can be moved left to right to avoid floor obstacles during installation.

CABINET INTERIOR: Base interior to be ABS thermoplastic at ends only. Stainless steel interior liner to be coved cornered to form bottom, back and top. Unit insulation to be CFC free foamed in place urethane.

DOORS: Door fronts to be 22-gauge stainless steel exterior front with 16 gauge stainless steel door pulls handles. The interior liner is vacuum formed ABS with integral gasket retainer for easy cleaning and accepts Randell's Exclusive Press Fit Gasket System. Doors are mounted on concealed hinges.

REFRIGERATION: Refrigerant to be specified by customer (Specification based on R-404a refrigerant). System is a balanced heavy duty system set-up to accept hook-up to a single compressor system. The base is cooled by an independent blower coiled operating on its own expansion valve and thermostat and operates through a dedicated solenoid valve. The pan opening is provided with its own thermostat (located in the compressor housing) making it easily adjustable for specific ambient conditions without effecting the balance of the system. An on/off switch for the pan opening is provided. Optional electric condensate evaporator.

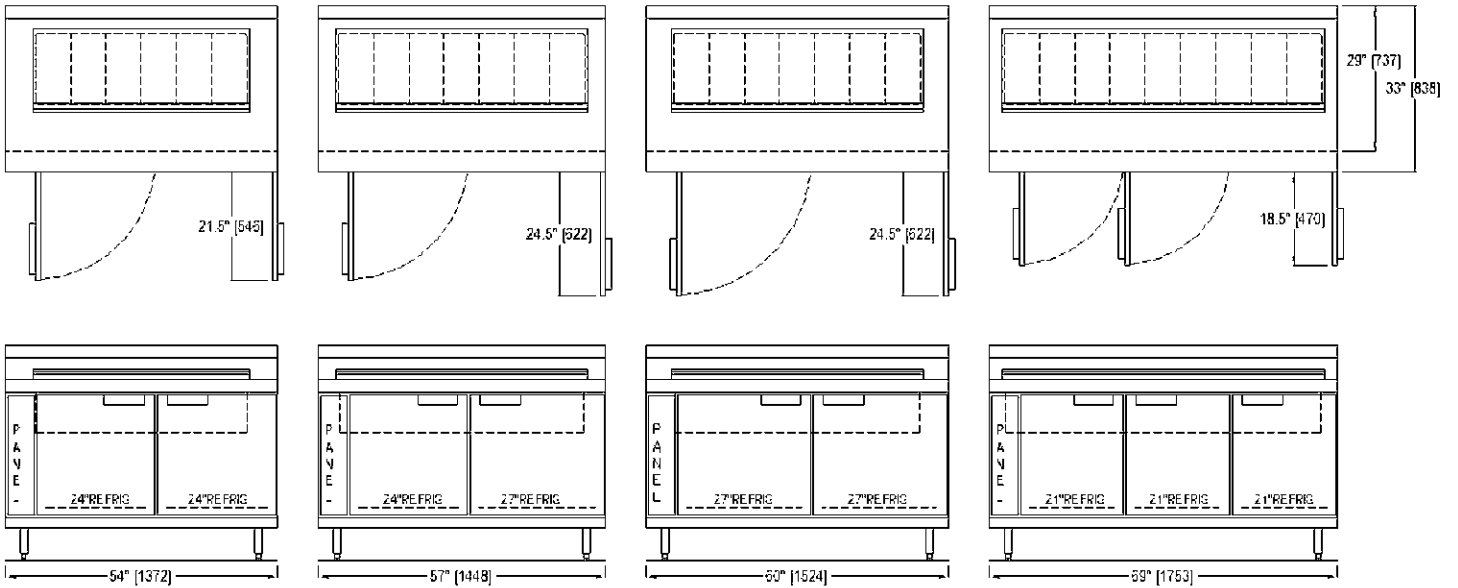
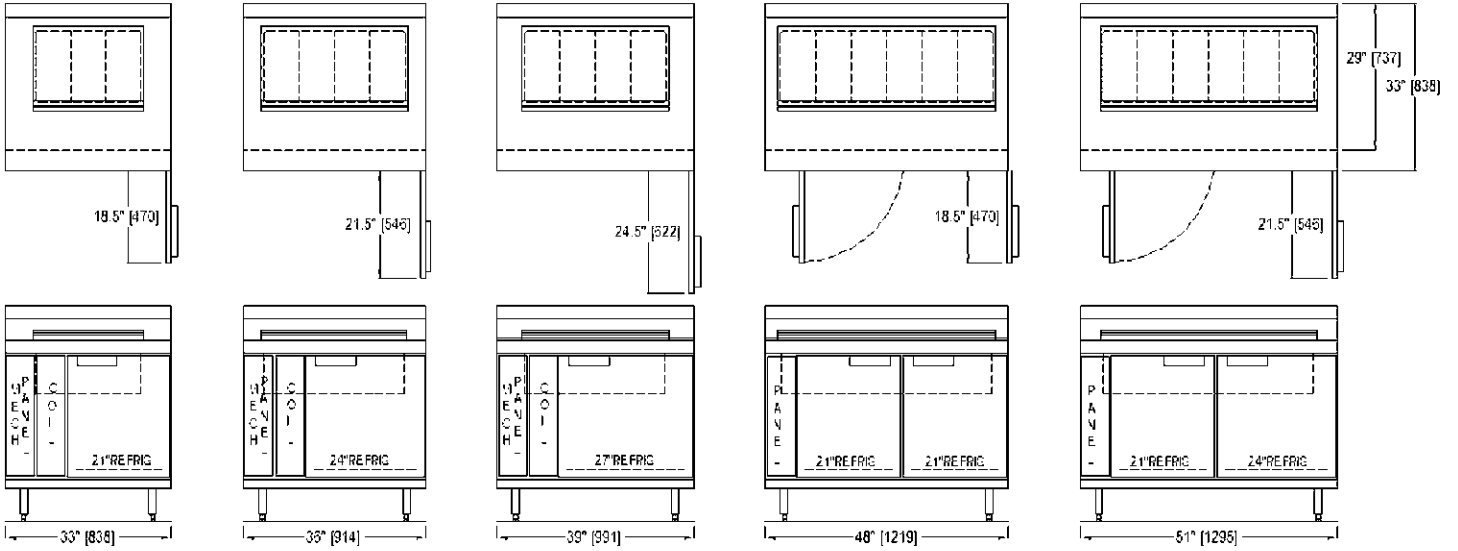
ORIGIN OF MANUFACTURE: Designed and manufactured in the United States.

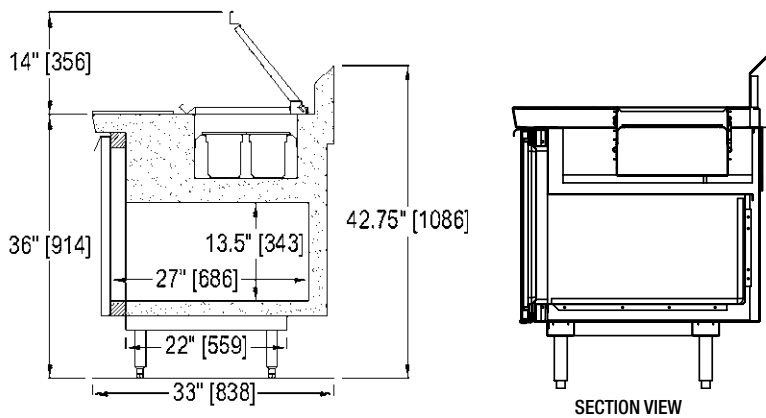
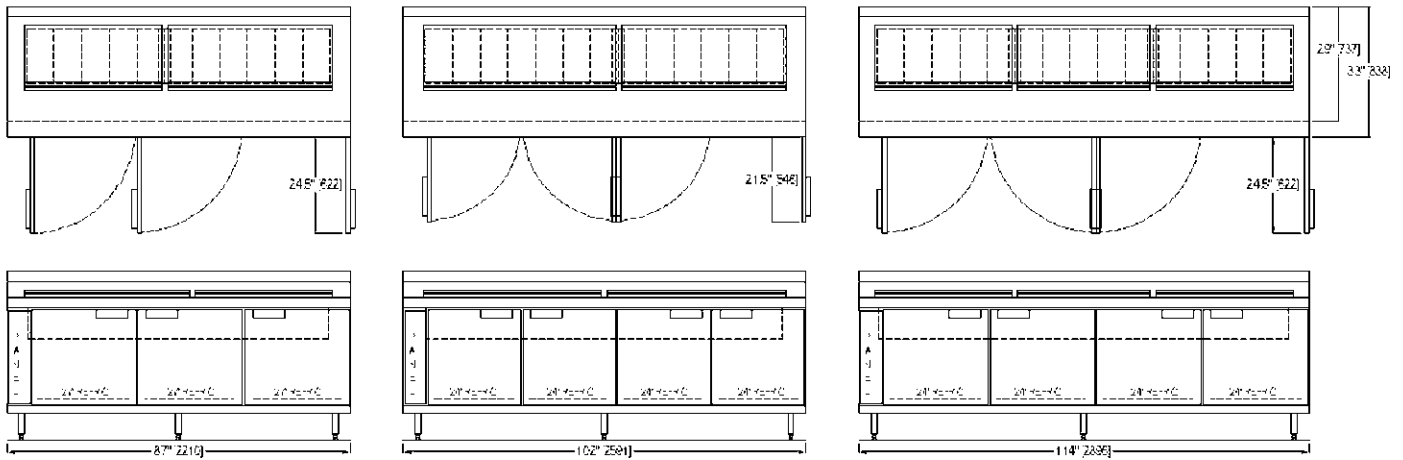
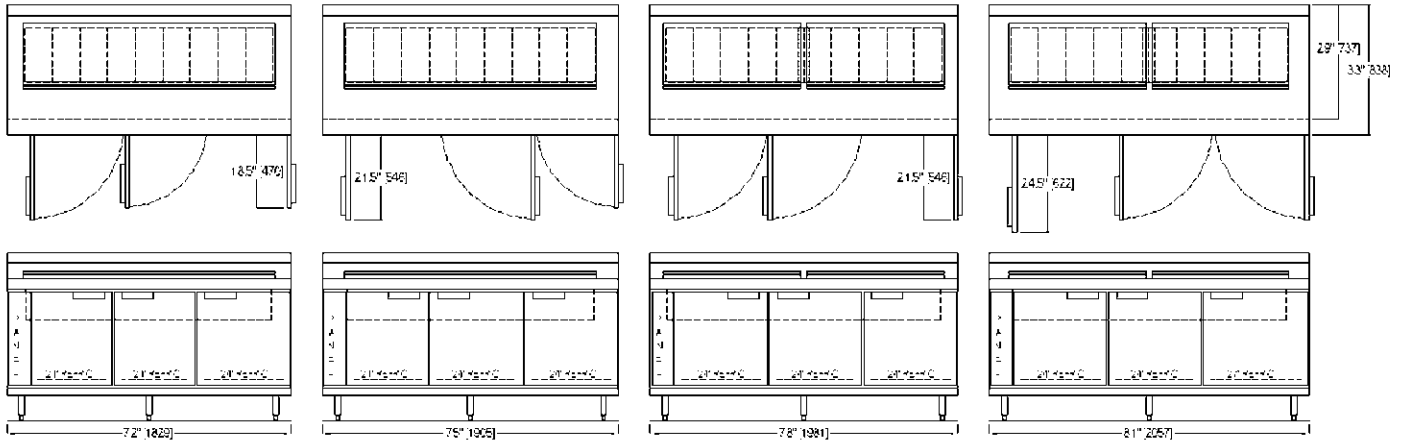
Remote Recessed Coldwall Refrigerator. Model 53354PO shown with optional finished end.



OPTIONS/ACCESSORIES:

- Hinged slide-back covers
- Lift-off (removable) night covers
- Stainless Steel Ends
- Stainless Steel Back
- Laminate fronts, ends and back options
- Casters in lieu of legs
- Over-shelving storage options
- Wide pan opening







53000PO SERIES REMOTE REFRIGERATORS WITH STANDARD DEPTH RECESSED PAN OPENING									
Length	33"	36"	39"	48"	51"	54"	57"	60"	69"
Model 33"	53333PO	53336PO	53339PO	53348PO	53351PO	53354PO	53357PO	53360PO	53369PO
#of Doors(6" mech.)	(1) 21"	(1) 24" + 6" coil hsg.	(1) 27" + 6" coil hsg.	(2) 21" + 6" coil hsg.	(1)21" (1)24"	(2) 24"	(1)24" (1)27"	(2) 27"	(3) 21"
# Pans	(6) 1/6	(6-8) 1/6	(6-8) 1/6	(6-12) 1/6	(6-12) 1/6	(6-12) 1/6	(8-14) 1/6	(8-14) 1/6	(10-18) 1/6
Min. Length of Opening	27"	27"	27"	27"	27"	27"	34"	34"	41"
Storage Cu. Ft.	4.31	4.99	5.67	7.71	8.39	9.07	9.75	10.43	
Cutting Board Width	10" wide	10" wide	10" wide	10" wide	10" wide	10" wide	10" wide	10" wide	
Recommened H.P./Refrigerant	1/3hp/404a	1/3hp/404a	1/3hp/404a	1/3hp/404a	1/3hp/404a	1/3hp/404a	1/3hp/404a	1/3hp/404a	1/2hp/404a
Amps	5.0	5.0	5.0	5.0	5.0	5.0	5.0	5.0	5.0
Volt/Cycle/Phase	115/60/1	115/60/1	115/60/1	115/60/1	115/60/1	115/60/1	115/60/1	115/60/1	
Ship Wt.- lbs	352	369	385	418	435	451	479	495	545
BTU Design load	302/437	302/473	378/509	454/744	454/780	529/815	529/851	605/887	680/1122
BTU System Cap.	13/120	16/120	19/120	22/120	22/120	25/120	25/100	27/180	30/120

53000PO SERIES REMOTE REFRIGERATORS WITH STANDARD DEPTH RECESSED PAN OPENING (continued)							
Length	72"	75"	78"	81"	87"	102"	114"
Model 33"	53372PO	53375PO	53378PO	53381PO	53387PO	533102PO	533114PO
#of Doors (9" mech.)	(2)21" (1)24"	(2)24" (1)21"	(3) 24"	(2)24" (1)27"	(3)27"	(4) 24"	(4) 27"
# Pans	(10-18) 1/6	(10-18) 1/6	(10-18) 1/6	(10-18) 1/6	(12-20) 1/6	(14-24) 1/6	(14-26) 1/6
Min. Length of Opening	41"	41"	41"	41"	48"	55"	55"
Storage Cu. Ft.	13.15	13.83	14.51	15.19	16.55	16.43	17.86
Cutting Board Width	10" wide	10" wide	10" wide	10" wide	10" wide	10" wide	10" wide
H.P./Refrigerant	1/2hp/404a	1/2hp/404a	1/2hp/404a	1/2hp/404a	1/2hp/404a	5/8hp/404a	3/4hp/404a
Amps	5.0	5.0	5.0	5.0	5.0	5.0	5.0
Volt/Cycle/Phase	115/60/1	115/60/1	115/60/1	115/60/1	115/60/1	115/60/1	115/60/1
Ship Wt.- lbs	561	589	605	622	655	721	770
BTU Design load*	680/1158	756/1193	756/1229	832/1265	832/1336	1058/1643	1134/1786
BTU System Cap.	30/120	33/120	33/120	36/240	36/240	44/240	47/240

NOTE: Pan capacity reflected is the actual amount of pans that are clearly accessible by the operator. Units with multiple covers may actually have additional pan capacity that is partially obstructed by the cover divider/mullion. Remote pan openings intended to be connected to separate low-temp system, can be as small as (6) pans on any size base.

*BTU load and capacity ratings based on 100F ambient plus 30% for usage and product loading in base. Final system selection should consider usage requirements and combined loads.

Recommended HP applied to self-contained (single) unit of equal storage capacity; increased HP may be appropriate in some remote applications.

Evaporator BTU/TD reflects NSF refrigerated base requirements when base is provided with +20F system separate from -10F pan opening system.

DOOR OPENING SIZES			
DOOR WIDTH	CLEARANCES THROUGH DOOR		INTERIOR DEPTH BEHIND DOOR
	LT. TO RT.	TOP TO BOTTOM	(unit depths in parentheses)
18"	13 1/4"	13 1/2"	(33")-26" (29")-22" (22")-15.5"
21"	16 1/4"	13 1/2"	(33")-26" (29")-22" (22")-15.5"
24"	19 1/4"	13 1/2"	(33")-26" (29")-22" (22")-15.5"
27"	22 1/4"	13 1/2"	(33")-26" (29")-22" (22")-15.5"

•Shelf depth is 25 1/4" on 33" deep equipment, 21 1/4" on 29" deep equipment, and 14 1/2" on 22" deep equipment.