

PREPARATION TABLE

SALAD OPENING AND RAISED RAIL CHOICES

RAIL AND LID OPTIONS APPLY TO THE RANSPEC UNITS 50000 SERIES TABLES

PROJECT NAME:

LOCATION:

ITEM NO:

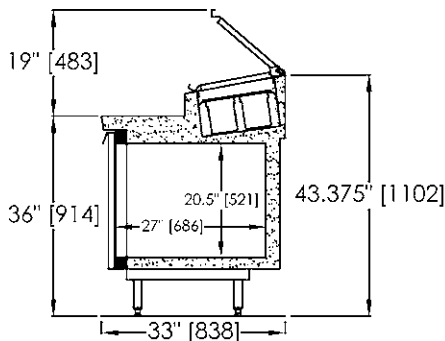
QTY:

MODEL NO:

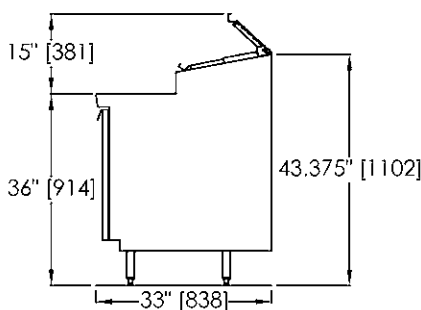
AIA NO:

SIS NO:

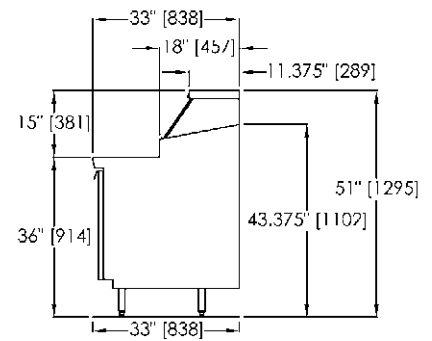
CSI SECTION: 11400



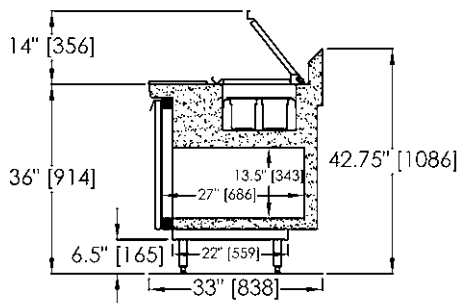
- Standard Profile/Cover for:
51000PR / 52000PR / 53000PR
29" deep or 33" deep
Standard Hinged cover.



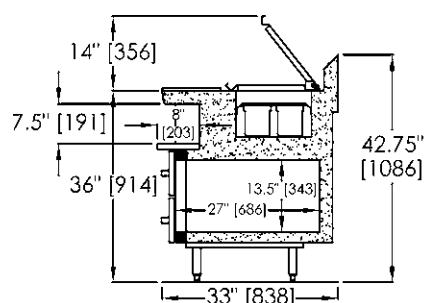
- Optional Profile/Cover
Hinged Slide-back/Telescoping cover
** For use in restricted height areas.*



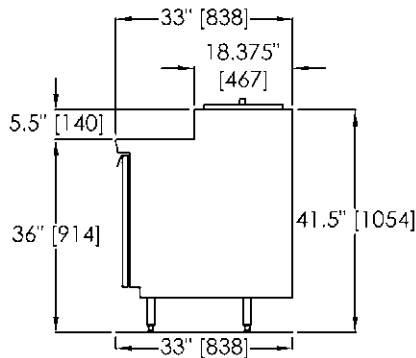
- Optional Profile/Cover
Randell's Exclusive Hood
w/Slide-back Cover
** For use in areas with higher than normal
air movement and/or ambient conditions.*



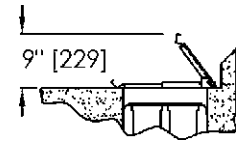
- Standard Profile/Cover for:
51000PO / 52000PO / 53000PO
33" deep Only
** Full Length Openings Only.
Allowing better visibility to
under-storage (will not accept tray racks or
drawer options)*



- Standard Profile/Cover for:
51000LPPO / 52000LPPO / 53000LPPO
33" deep only
** Partial or Full Length Openings with
plate shelf and supplied with Randell's
Exclusive Drawer Cartridge system.*

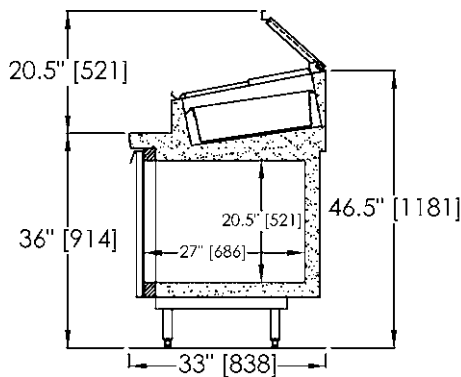


Optional Profile/Cover for:
51000FTPR / 52000FTPR / 53000FTPR
with Lift-Off Night Covers
** For use in display preparation areas and/
or dual service/access operations.*

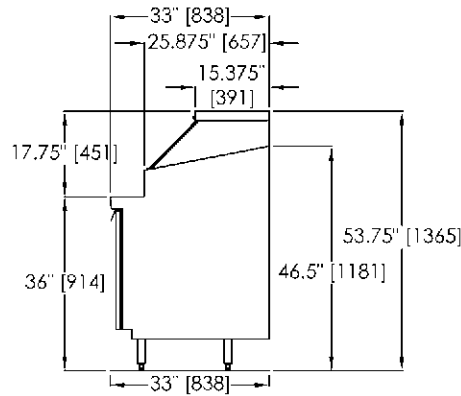


Optional Cover
Hinged Slide-back/Telescoping cover
** For use in restricted height areas.*

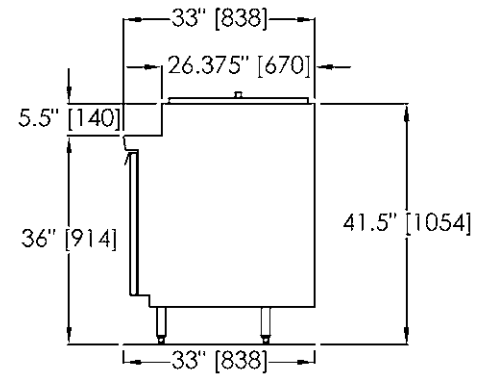
Optional Cover
Removable Night Cover-All Models
** For use in restricted height areas and/
or open display kitchens.*



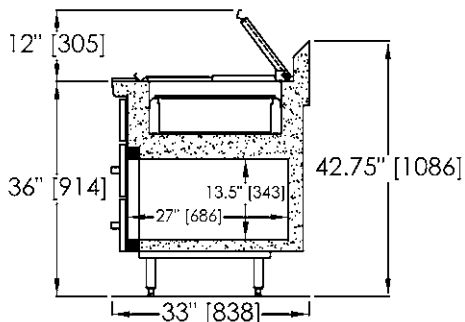
Standard Profile/Cover for:
51000WPR / 52000WPR / 53000WPR
33" deep Only
Standard Hinged Slide-back/
Telescoping cover.



Optional Profile/Cover for:
51000WPR / 52000WPR / 53000WPR
Randell's Exclusive Hood
w/Slide-back Cover
** For use in areas with higher than
normal air movement and/or
ambient conditions.*



Optional Profile/Cover for:
51000FTWPR / 52000FTWPR / 53000FTWPR
33" deep Only
with Lift-Off Night Covers
** For use in display preparation areas and/
or dual service/access operations.*



Standard Profile/Cover for:
51000LPWPO / 52000LPWPO / 53000LPWPO
33" deep Only
** Partial or Full Length Openings with
Randell's Exclusive Drawer Cartridge system.*

Optional Cover
Removable Night Cover-All Models
** For use in restricted height areas and/
or open display kitchens.*