



WORKTOPS/UNDERCOUNTERS

SELF-CONTAINED WORKTOP FREEZER MODEL 65348-290

This freezer changes the way rear-compressor designs are made by relocating the evaporator coil from the back wall to between the (2) 21" doors providing superior air circulation and mitigating the common issue of over-loading the unit, blocking the rear fan and causing little to no air-flow around the frozen food product, common with traditional designs.

Other key features: Zero ozone depleting R290 natural refrigerant. Casters are standard. Electronic controller with adaptive defrost. Press-fit gaskets.

STANDARD FEATURES:

- Rear mounted compressor with mullion coil provides balanced cooling, and "full depth" usable interior space
- Stainless steel ends
- Flat top with no backsplash
- 6" casters
- Foamed in place urethane insulation
- Automatic coil defrost system
- Electronic control

CABINET EXTERIOR: Top is one-piece stainless steel. Exterior front, sides and back are corrosion resistant steel. Door openings are thermo-formed ABS plastic which provides a easily cleanable thermal-break with a hidden magnetic strip full perimeter that lines up with press-fit gasket of door forming a positive seal. Casters mounted to full length channel frame assembly which is integrally welded to bottom of body assembly.

CABINET INTERIOR: Base interior to be ABS thermoplastic at ends only. Anodized aluminum interior liner to be covered cornered to form bottom, back and top. One baked enamel finished shelf provided behind each door. Unit insulation to be foamed in place urethane.

DOORS: Door fronts to be stainless steel with recessed handles, magnetic gaskets, ABS door liner and foamed in place insulation. Hinges are concealed, all stainless steel with bronze pivot pin in nylon bushing.

REFRIGERATION: Refrigeration system utilizes zero-ozone depleting R-290 natural refrigerant. Randell's evaporator coil mounted behind the mullion to offer balanced cooling throughout the base. Coil is coated to resist corrosion. Unit fully pre-wired and to be supplied with 8' cordset for 115V operation. Standard with condensate evaporator.

ORIGIN OF MANUFACTURE: Designed and manufactured in the United States.

PROJECT NAME:

LOCATION:

ITEM NO:

QTY:

MODEL NO:

AIA NO:

SIS NO:

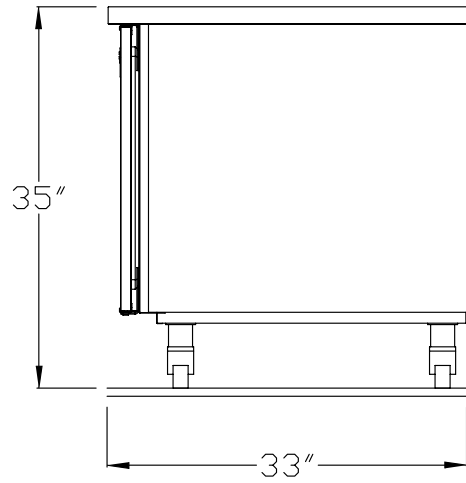
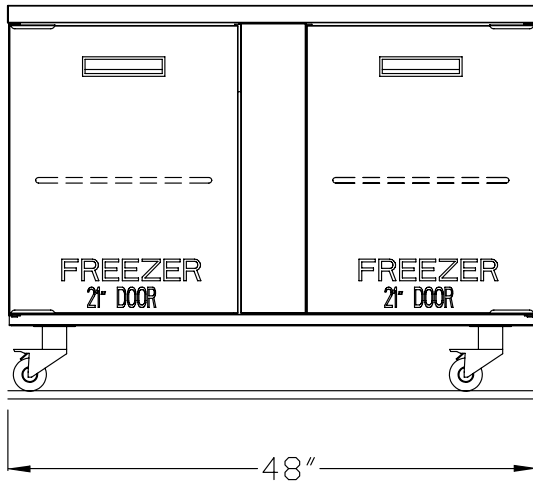
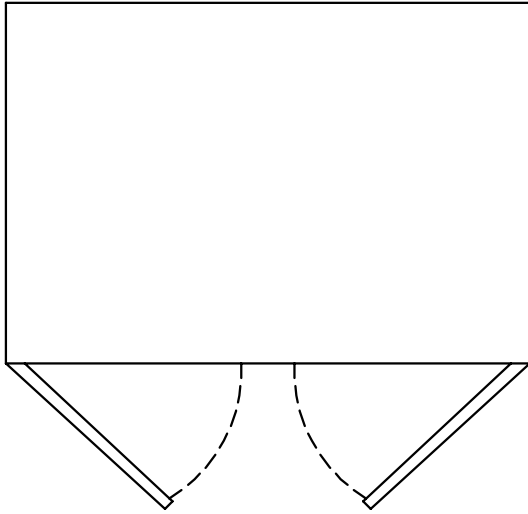
CSI SECTION: 11400

Model 65348-290 shown.



OPTIONS/ACCESSORIES:

- Backsplash



L	W	H	Doors	Storage Cu. Ft.	Power Usage (Kw per day)	HP	BTU Design	BTU System Capacity	Volt	Amps	NEMA	Ship Wt.
48"	33"	35"	(2)21"	12.89	4.02	1/2	750/Hr	1071/Hr	115/60/1	5.6	5-15P	250