



# TILTING BRAISING PAN

## TABLE TOP ELECTRIC MODEL TD/FPC

Braising pan shall be a Groen Model TD/FPC 40 quart stainless steel, electrically heated unit.

PROJECT NAME:	
LOCATION:	
ITEM NO:	
QTY:	
MODEL NO:	
AIA NO:	
SIS NO:	
CSI SECTION:	

**CONSTRUCTION:** The pan body shall be of type 304 stainless steel, solid one-piece welded heavy duty construction. All exposed surfaces shall be stainless steel with an all stainless steel base. The cooking surface shall be a heavy 3/8" thick stainless steel clad plate, fitted with electric heating elements, ensuring efficient heat transfer over the entire cooking surface. Heating elements shall be contained within the pan body. Thermostat, contactor, other electrical components and indicator light shall be installed and mounted in a stainless steel, drip-proof console housing. Unit shall have easy tilting manual tilt mechanism. The console shall be mounted to a heavy duty base. The pan shall be supported by a trunnion located in the console and a left hand stabilizer. Etch marks in both gallon and liter shall be included.

**OVERALL DIMENSIONS:** Unit shall be 28 1/2" left to right and 24" from base front to back. Pan dimensions are 18" x 24" x 7", with full 10 gallon capacity.

**FINISH:** Braising pan interior shall be polished to a 100 emery grit finish. Braising pan exterior shall be finished to a #3 finish, ensuring maximum ease in cleaning and maintaining appearance.

**UL LISTING:** UL- and cUL-listed.

**SANITATION:** Unit shall be designed and constructed to meet NSF requirements and be NSF listed.

**INSTALLATION:** Specify 208, 240 or 480 volt, 3 phase, 60 hz. Consult factory for other voltages. Unit requires 1" ips electric power connection.

**PERFORMANCE/FEATURES:** Unit to be thermostatically controlled to automatically shut off when desired temperature is reached and to turn on when product temperature falls below desired setting. Unit to have Hi Limit thermostat as safety feature.

**ORIGIN OF MANUFACTURE:** Designed and manufactured in the United States.



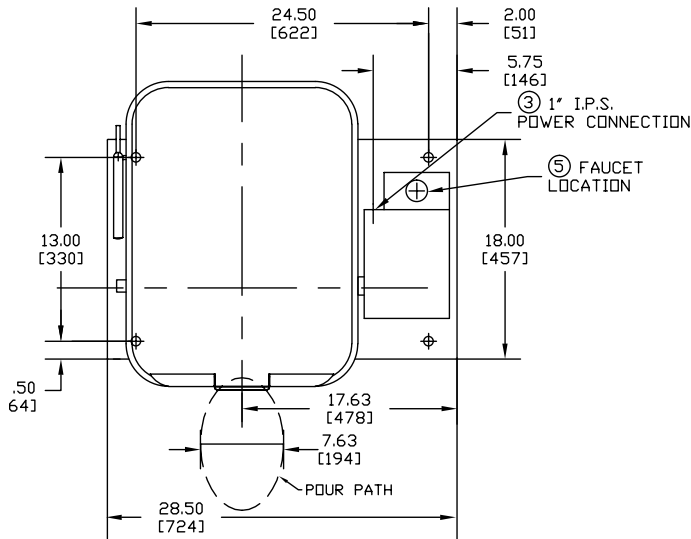
*TD/FPCA Model shown*

**OPTIONS/ACCESSORIES:**

- Single pantry water faucet
- Double pantry water faucet
- Pouring lip strainer
- Lift-off cover with vent



P/N 140824 REV K



**NOTES:**

1. DIMENSIONS IN BRACKETS [ ] ARE MM.
2. VENTED COVER AVAILABLE FOR PAN
3. ELECTRICAL CONNECTION: 1.38" DIA. [35] HOLE
4. OTHER VOLTAGES AND PHASES ARE AVAILABLE.
5. FAUCET MAY BE INSTALLED ON FAUCET BRACKET AT REAR OF PEDESTAL

VOLTS	PHASE	AMPS	K.W.
208	1	29	5.7
208	3	17	5.7
240	1	25	6
240	3	15	6
380	3	10	6
480	3	8	6

