



# INTEK STEAMER

## TABLE TOP ELECTRIC MODEL XS

The Intek XS connectionless countertop steamer unit has a pan capacity of 6 pans (2.5" deep 12" x 20") or 4 pans (4" deep 12" x 20"). Unit must be capable of producing steam at 212°F with no water or drain connection required. Unit is to have inverted convection fan technology and includes a 1 year parts and labor warranty. NSF listed as both steamer and holding cabinet. UL listed.

### AVAILABLE MODELS:

- XS-208-8-1 (208V, 8kW, 1-Phase)
- XS-208-8-3 (208V, 8kW, 3-Phase)
- XS-208-10-3 (208V, 10kW, 3-Phase)
- XS-208-12-3 (208V, 12kW, 3-Phase)
- XS-240-8-1 (240V, 8kW, 1-Phase)
- XS-240-8-3 (240V, 8kW, 3-Phase)
- XS-240-12-3 (240V, 12kW, 3-Phase)
- XS-480-12-3 (480V, 12kW, 3-Phase)

### STANDARD FEATURES:

- Produces steam at 212°F with no water or drain connection
- Inverted flow forced convection technology
- Magnetic door switch turns off convection fan when door is open
- 60 minute electro-mechanical timer, 2 position ON/OFF selector switch, indicator lights for COOK, STANDBY, HEAT and LOW WATER
- Low water warning system with automatic shutdown control

### CONSTRUCTION:

- 14 gauge reinforced stainless steel cavity
- Two panel door with rugged 14 gauge stainless steel outer door
- Heavy refrigeration style door handle with magnetic latch
- Stainless steel wire racks positioned to support 1", 2.5", 4", or 6" deep pans
- Front mounted water reservoir manual drain line

### OPERATION:

- Inverted flow convection fan in cooking chamber
- NSF approved holding cabinet
- Open door while cooking
- Heating element external to compartment and not exposed to water
- 3 gallon capacity water reservoir

### ORIGIN OF MANUFACTURE:

Designed and manufactured in the United States.

PROJECT NAME:

LOCATION:

ITEM NO:

QTY:

MODEL NO:

AIA NO:

SIS NO:

6 pan capacity stainless steel pressureless, connectionless steamer. Tabletop, self-contained, electric heated. (Model XS shown)



### OPTIONS/ACCESSORIES:

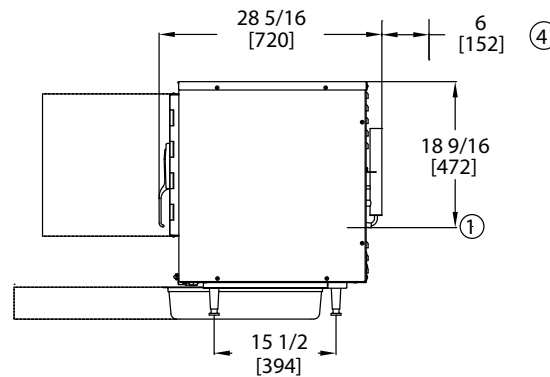
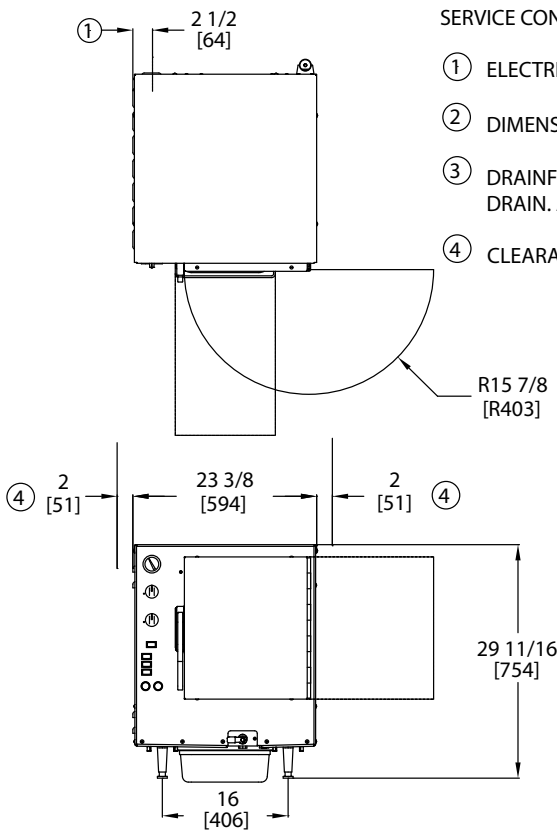
- Stand w/Bullet Feet for Single or Double Stack
- Casters for Stand
- Flanged Feet for Stand
- Door Hinged Left
- Correction Package
- Trivet



174785 Rev E

SERVICE CONNECTIONS/NOTES:

- ① ELECTRICAL CONNECTION: 1.340" DIA. HOLE
- ② DIMENSIONS IN BRACKETS [ ] ARE IN MM.
- ③ DRAINFREE VENTING, DO NOT CONNECT DIRECTLY TO THE DRAIN. ALLOW A 2" AIR GAP.
- ④ CLEARANCES:  
EACH SIDE: 2" [51]  
REAR 6" [152]



MODEL	NO. OF PANS	VOLTAGE	PHASE	KW MAX	AMP MAX	NEMA CONNECTOR NO.	CORD LENGTH FT [M]
XS-208-8-1	6	208	1	8	38.5	6-50P	7.5 (2.29)
XS-208-8-3	6	208	3	8	22	L15-30P (3PH)	8 (2.44)
XS-208-10-3	6	208	3	10	28	L15-30P (3PH)	8 (2.44)
XS-208-12-3	6	208	3	12	33.6	15-50P (3PH)	8 (2.44)
XS-240-8-1	6	240	1	8	33.4	6-50P	9 (2.74)
XS-240-8-3	6	240	3	8	19.4	L15-30P (3PH)	8 (2.44)
XS-240-12-3	6	240	3	12	29.1	L15-30P (3PH)	8 (2.44)
XS-480-12-3	6	480	3	12	14.6	L16-20P (3PH)	8 (2.44)

170944 STAND DIMENSIONS IN, [MM]			
CONFIGURATION	WIDTH	DEPTH	HEIGHT
WITH BULLET FEET	26 11/16 [678]	23 [584]	41 3/16 [1046]
WITH CASTORS	26 11/16 [678]	23 [584]	44 5/8 [1132]