



INTEK STEAMER

TABLE TOP GAS MODEL XSG-5

The Intek XSG connectionless countertop steamer unit has a pan capacity of 5 pans (2.5" deep 12" x 20"). Unit must be capable of producing steam at 212°F with no water or drain connection required. Unit is to have inverted convection fan technology and includes a 1 year parts and labor warranty. NSF listed as both steamer and holding cabinet. UL listed.

AVAILABLE MODELS:

- XSG-5 (Natural)
- XSG-5 (LP)

STANDARD FEATURES:

- Produces steam at 212°F with no water or drain connection
- Inverted flow forced convection technology
- Magnetic door switch turns off convection fan when door is open
- 60,000 BTU/hr high-efficiency powered infrared gas burner with boilerless heating system
- 60-minute electro-mechanical timer, 2-position ON/OFF selector switch, indicator lights for COOK, STANDBY, HEAT and LOW WATER
- Low water warning system with automatic shutdown control
- 4" adjustable stainless steel legs
- UL-Gas, NSF Listed

CONSTRUCTION:

- 14 gauge reinforced stainless steel cavity - fully insulated
- Two panel door with rugged 14 gauge stainless steel outer door
- Heavy refrigeration style door handle with magnetic latch
- Removable stainless steel wire racks positioned to support 1", 2.5", 4", or 6" deep pans
- Front mounted water reservoir drain valve

GAS:

- 1/2" NPT
- 60,000 BTU/hr
- Supply Pressure: Natural- 5.00" WC minimum, 14.00" WC maximum Propane- 10.00" WC minimum, 14.00" WC maximum
- Manufacturer must be notified if installed above 2,000 ft. altitude

ELECTRICAL:

- 115 VAC, 1 Phase, 5 amp

ORIGIN OF MANUFACTURE:

Designed and manufactured in the United States.

PROJECT NAME:

LOCATION:

ITEM NO:

QTY:

MODEL NO:

AIA NO:

SIS NO:

5 pan capacity stainless steel pressureless, connectionless steamer. Tabletop, self-contained, gas heated. (Model XSG-5 shown)

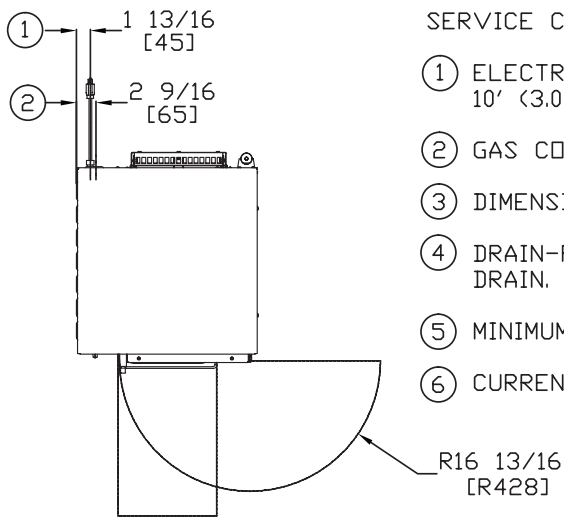


OPTIONS/ACCESSORIES:

- Stand w/Bullet Feet for Single or Double Stack
- Casters for Stand
- Flanged Feet for Stand
- Door Hinged Left
- Correction Package
- Double-Stacked Chimney Kit
- Gas Quick-Disconnect Kit for
- Stand with Casters

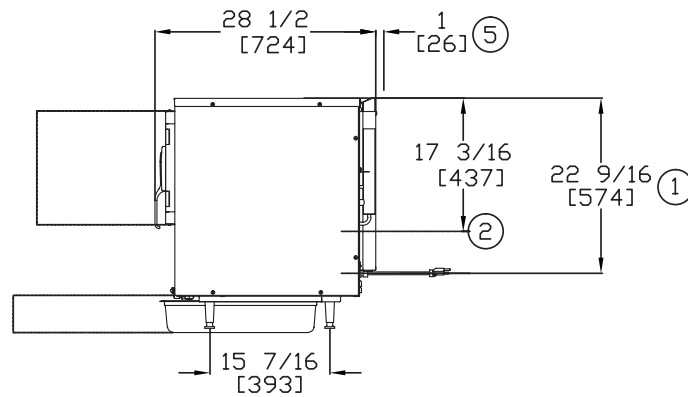
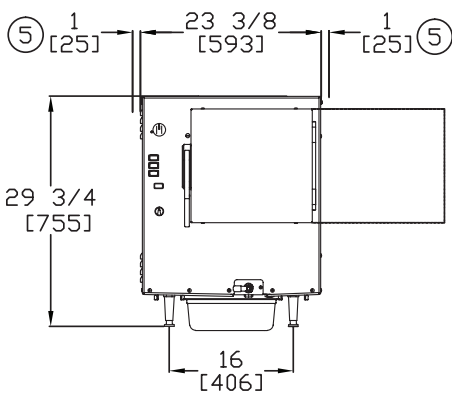


174793 Rev B



SERVICE CONNECTIONS/NOTES:

- ① ELECTRICAL CONNECTION: 120 V, 60 Hz, SINGLE PHASE 10' (3.05 METER) CORD WITH 5-15P NEMA CONNECTION.
- ② GAS CONNECTION: 3/4" NPT FEMALE
- ③ DIMENSIONS IN BRACKETS ARE IN MM.
- ④ DRAIN-FREE VENTING DO NOT CONNECT DIRECTLY TO THE DRAIN. ALLOW 2" AIR GAP.
- ⑤ MINIMUM REAR AND SIDE CLEARANCE: 1"
- ⑥ CURRENT DRAW: 5 AMPS

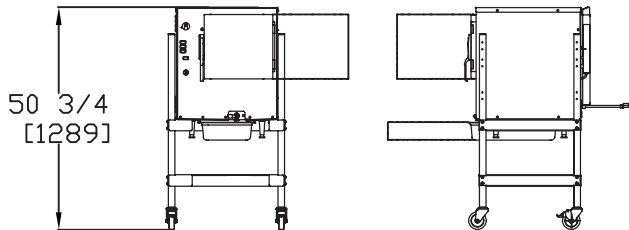
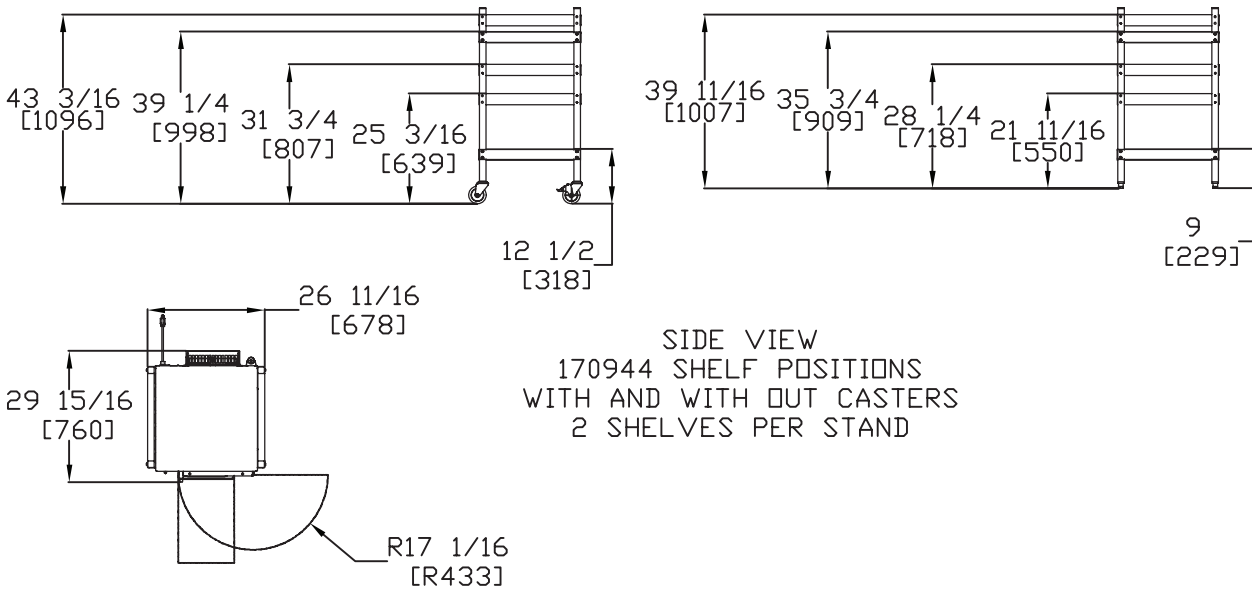


MODEL	NO. OF PANS	VOLTAGE	PHASE	KW/HR MAX	AMP MAX	NEMA CONNECTOR NO.	CORD LENGTH FT [M]
XSG-5	5	120	1	0.6	5	6-15P	10 (3.05)

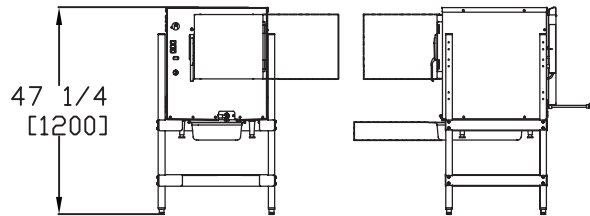
170944 STAND DIMENSIONS IN, [MM]			
CONFIGURATION	WIDTH	DEPTH	HEIGHT
WITH BULLET FEET	26 11/16 [678]	23 [584]	41 3/16 [1046]
WITH CASTORS	26 11/16 [678]	23 [584]	44 5/8 [1132]



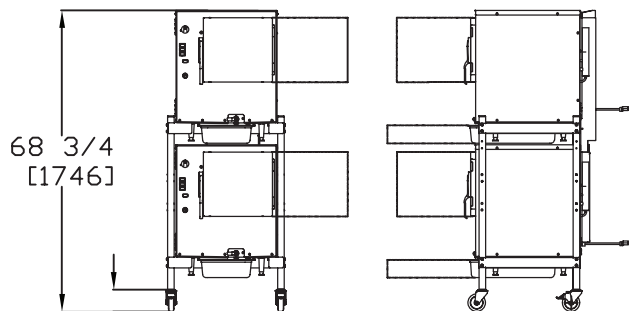
174794 Rev A



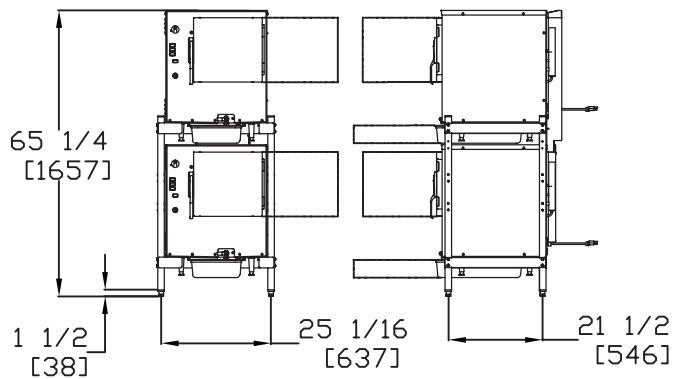
SINGLE XSG-5 ON 170944 STAND
LOWEST SHELF WITH CASTERS



SINGLE XSG-5 ON 170944 STAND
LOWEST SHELF WITHOUT CASTERS



DOUBLE XSG-5 ON 170944 STAND
WITH CASTERS



DOUBLE XSG-5 ON 170944 STAND
WITHOUT CASTERS