



BLAST CHILLER

UNDERCOUNTER REFRIGERATOR MODEL BC-3

If food safety is your concern, a Blast Chiller may be just what you need. The Randell BC-3 model is designed to fit the same footprint as a standard 27" undercounter refrigerator or freezer. This model is designed to rapidly cool cooked items from a temperature of 140-160°F to 40°F in a time frame between 90-120 minutes (dependent on product density). The BC-3 Blast Chiller, along with the other models offered by Randell, provides the end user; enhanced product quality, improved shelf life (correctly chilled foods may be stored up to five days) and most importantly increased safety. 16A, 115V.

STANDARD FEATURES:

- Stainless Steel Front, Sides & Top
- Stainless Steel Interior
- Removable Stainless Steel Pan Slides
- Life-time warranty on handles and hinges
- Stainless Steel Laminar Air Flow Plenum
- Superior Cross Product Air Flow
- Cooling with pan covers on to retain the product flavor
- Automatic Cooling System w/Food Probe
- Electronic Control w/Digital Read-Outs
- Automatic Condensate Evaporator
- 115V 20 amp plug-In Operation
- Self-Closing Door Hinge With 90° Positive Open Stop
- 3" Concealed Casters
- (1) Probe Provided

CABINET EXTERIOR: #4 finish Stainless Steel front, door, louver, sides and top. Unit back and bottom are galvanized metal.

CABINET INTERIOR: Stainless Steel, including Stainless Steel Air Plenums. Door opening perimeter is provided with an ABS thermal break to prevent sweating. A set of Stainless Steel Pan Racks, designed to hold (3) 12" x 20" x 2 1/2" are removable without tools. The door is stainless steel exterior with a stainless steel liner and is mounted on concealed hinges with a recessed door pull. A press-fit magnetic gasket is provided for positive seal.

REFRIGERATION SYSTEM: The BC-3 is powered by a 1/2 Horsepower R-404a commercial temperature condensing unit connected to an interlaced evaporator coil. A high velocity fan provides, through dual Stainless Steel Air Plenums, a laminar air flow pattern across the product. The system is monitored through an electronic control. The unit is operated by sensing product temperature through the food probe that is provided as standard.

LAMINAR AIR FLOW: Our superior cross product air flow allows chilling of food product with pan covers on.

ORIGIN OF MANUFACTURE: Designed and manufactured in the United States.

PROJECT NAME:

LOCATION:

ITEM NO:

QTY:

MODEL NO:

AIA NO:

SIS NO:

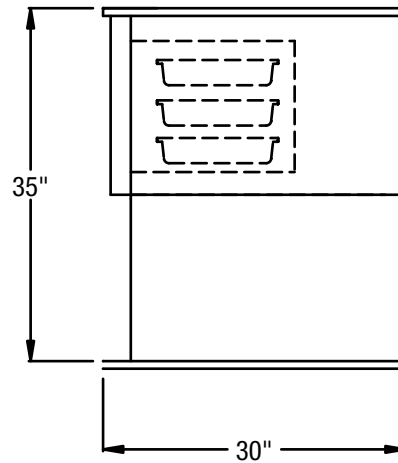
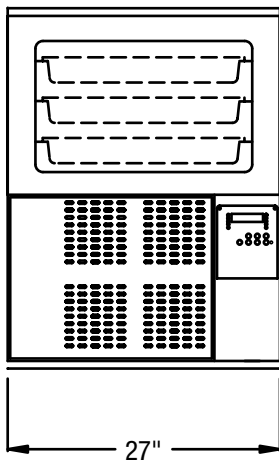
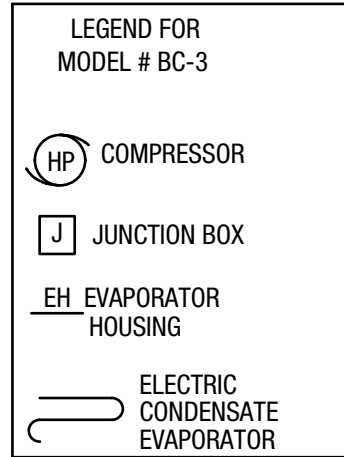
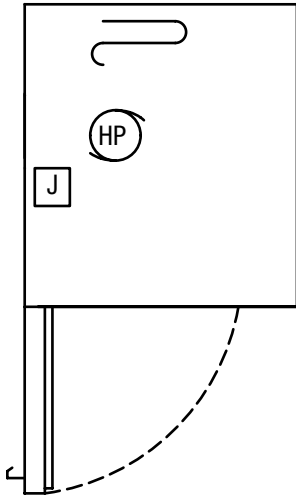
CSI SECTION: 11400

27" Blast Chiller Undercounter refrigerator. Model BC-3 Shown.



OPTIONS/ACCESSORIES:

- Remote Operation
- Stainless Steel Finished Back
- Door Locks



L	D	H	12"x20"x2.5" Pan Capacity	LBS	HP	Amps. Min. Volt/Hz/Ph	Circuit Ampacity	NEMA	BTU Requirements for Remote Installations	Ship Wt.
27"	30"	35"	(3)	30	1/2	115/60/1	20	5-20P	5400@20F Evap. Temp.	320