



POWER PREP

UNLIMITED FREE FLOWING WASH ACTION

MODELS PPU2B-66L/R

The Power Prep provides patented, free flowing wash action, reaching hard to reach areas on produce in a 2-bay configuration. NSF approved for washing whole, uncut and cut, peeled and unpeeled, fruits and vegetables. NSF approved for thawing frozen bagged product, seafood and proteins.



PROJECT NAME:	
LOCATION:	
ITEM NO:	
QTY:	
MODEL NO:	
AIA NO:	
SIS NO:	
CSI SECTION:	11400

AVAILABLE MODELS:

- PPU2B-66L-208-3 PPU2B-66R-208-3
- PPU2B-66L-230-3 PPU2B-66R-230-3
- PPU2B-66L-480-3 PPU2B-66R-480-3

STANDARD SPECIFICATIONS:

- Left to right (L) or right to left (R) configurations
- 37" front to back
- Wash pump manifold, wash pump housing, wash pump impeller able to be disassembled by hand for complete and thorough cleaning of system
- SOP for cleaning and temperature monitoring by end-user
- Hemmed end splash
- 24" Solid drain board
- 24" Clean drain board
- 3/4" high flow faucet with pre-rinse
- 1-1/2" Ball drain valve
- Custom configurations available, including tabling, shelving, and accessories
- 2 Bay wash tank, 18" x 24.75" front to back x 19" deep
- 4 Wash jets per wash tank / 2 wash jets per wash bay
- Wash jets located along the front wall of the wash tank, to provide free flowing uniform wash action
- 2 HP - stainless steel heavy duty (TEFC) wash pump motors provided with all stainless steel pump assemblies
- Stainless steel self-draining pump housing and impeller, all wetted parts of the pump assembly are stainless steel
- Wash tank to have (1) ultra-high molecular weight polyethylene (UHMW) flexible tank dividers, (2) (UHMW) wash tank bay flow guides, (1) high density polyethylene (HDPE) rib system integrally connected with stainless steel rods

- Wash tanks supported by 1-5/8" stainless diameter legs with 1-1/4" stainless cross members and adjustable stainless steel bullet feet
- Welded rear cross rails
- Type 304 stainless steel construction throughout - tanks, drain boards, splashes and channel rims (14 gauge)
- 208V/60/3, 6.2 Amps, 230V/60/3, 6.0 Amps, 480V/60/3, 2.9 Amps
- The following accessories are included:
 - (1) Bottom exit stainless ball valve drain w/ removable strainer
 - (1) Rear exit stainless ball valve drain w/ removable strainer
 - (1) 3/4" High flow faucet w/ 52" pre-rinse hose
 - (1) Stainless steel unloading basket

CONTROLS:

PS-300: Push button start/stop switches

WARRANTY:

- Three year parts and three year labor warranty from the date of shipping (USA only)
- Flow guides 1 year

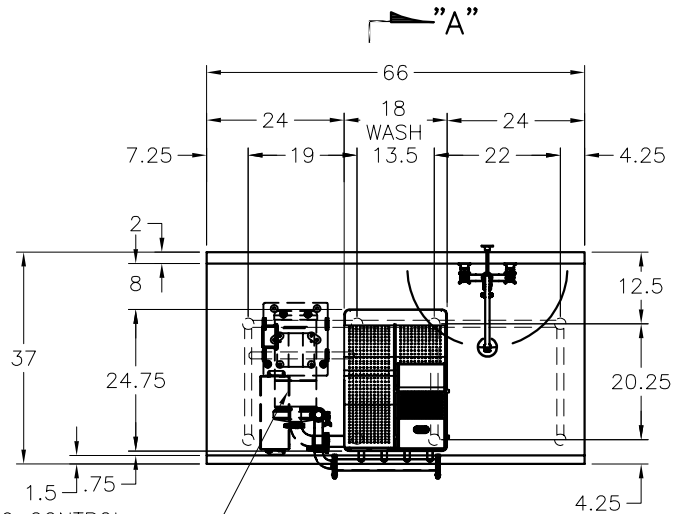
ORIGIN OF MANUFACTURE:

Designed and manufactured in the United States.



OPTIONAL ACCESSORIES:

- Stainless steel backsplash extensions
- Unload baskets
- Strainer for unload basket
- Over and under shelves
- Fry cutter basket



ELECTRICAL CONNECTION #PS-300 CONTROL

2 HP PUMP/MOTOR 460/60/3,
3.1 AMPS (15 AMP SERV. REQD.).

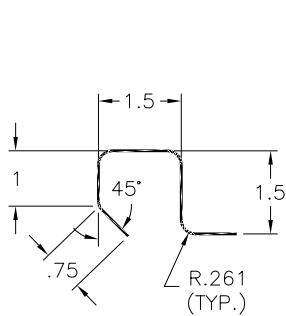
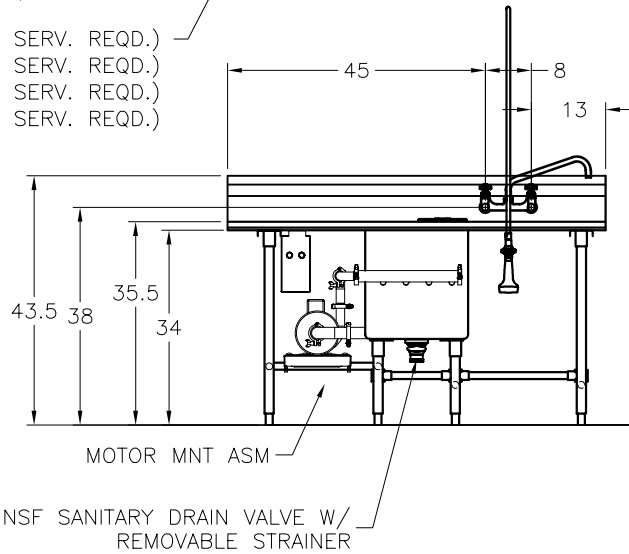
OPTIONAL VOLTAGES:

208/60/3, 6.2 AMPS (15 AMP SERV. REQD.)

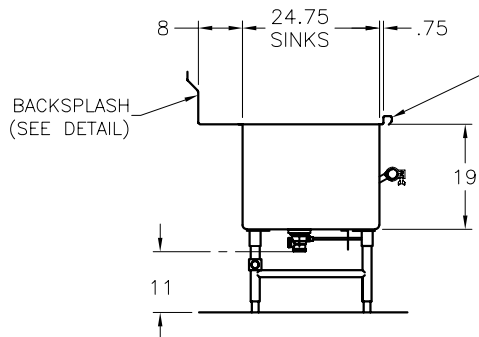
230/60/3, 6.0 AMPS (15 AMP SERV. REQD.)

208/60/1, 8.9 AMPS (15 AMP SERV. REQD.)

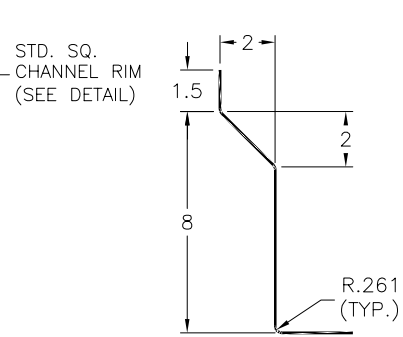
230/60/1, 8.1 AMPS (15 AMP SERV. REQD.)



SQ. CHANNEL RIM DETAIL



SECTION "A"



BACKSPLASH DETAIL