



DROP-IN

ICE STATION MODELS 9500IC & 9510IC

Ice station with stainless steel top and interior. Equipped with 1" ice bin drain. Removable stainless steel cover provided.

PROJECT NAME:

LOCATION:

ITEM NO:

QTY:

MODEL NO:

AIA NO:

SIS NO:

CSI SECTION: 11400

SPECIFICATIONS:

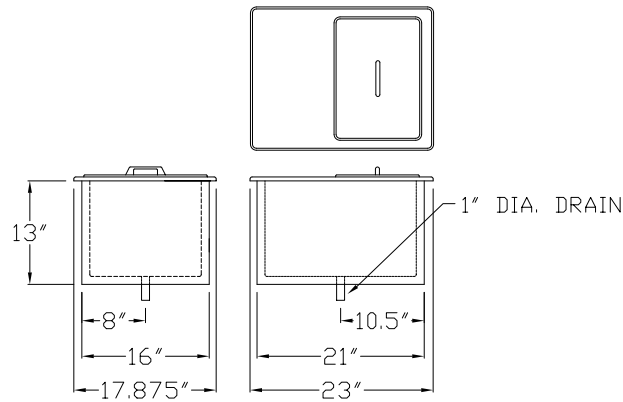
Top to be one piece of die-stamped 20 gauge stainless steel. Ice bin liner is stainless steel, covered cornered and equipped with 1" drain. Foamed in place polyurethane insulation. Outer body is corrosion resistant steel. Removable stainless steel cover provided.

ORIGIN OF MANUFACTURE:

Designed and manufactured in the United States.

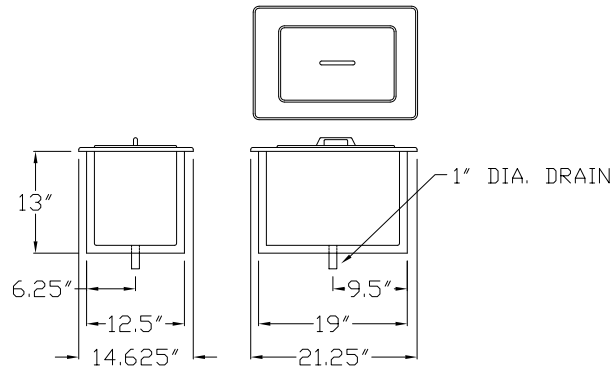
AVAILABLE MODELS:

9500IC



Model	L	W	H	Capacity	Cutout Dim.	Ship Wt.
9500IC	23"	17-7/8"	13"	60 lbs	21-1/2" x 16-3/8"	38

9510IC



Model	L	W	H	Capacity	Cutout Dim.	Ship Wt.
9510IC	21-1/4"	14-5/8"	13"	40 lbs	19-3/4" x 13-1/8"	38

Model 9500IC shown

