



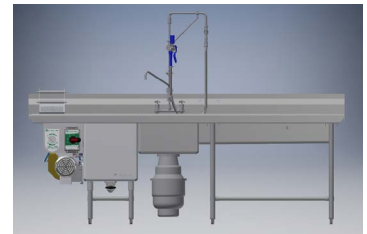
POWER PREP

RAISED ADVANCED FREE FLOWING WASH ACTION MODELS PPT2B-104L/R

The Raised Power Prep provides an all in one work system that eliminates steps between prep production, saving time and labor while incorporating the Power Prep Advanced. Patented, free flowing wash action, reaching hard to reach areas on produce in a 2-bay configuration. NSF approved for washing whole, uncut and cut, unpeeled, fruits and vegetables.



PROJECT NAME:	
LOCATION:	
ITEM NO:	
QTY:	
MODEL NO:	
AIA NO:	
SIS NO:	
CSI SECTION:	11400



AVAILABLE MODELS:

- PPT2B-104L
- PPT2B-104R

STANDARD SPECIFICATIONS:

- 104" Left to right (L) or right to left (R) operation – non-configurable
- 1-1/2" Rolled end splashes and front rim
- 48" Drain board with integral flushing disposer trough, feeding into a 20" x 10" disposer sink
- Disposer by others
- 48" Drain board to include 45" x 21-3/4" x 5/8" thick cutting board
- 2-Bay agitating wash sink to include: Patented wash flow design allows for washed produce to be automatically collected into the stainless steel unloading baskets
- Removable wash jet channel
- Removable wash pump intake screen
- Three positional reverse flushing system of wash pump housing, wash pump impeller and wash pump manifold
- Low profile wash jets average every three inches along the back wall of wash tank above the wash tank intake with removable jet block – wash jets provide free flowing uniform wash action
- Wash tank to have ultra-high molecular weight polyethylene (UHMW) flexible tank dividers, (UHMW) wash tank bay flow guides, high density polyethylene (HDPE) rib system integrally connected with stainless steel rods
- Stainless steel self-draining pump housing and impeller, all wetted parts of the pump assembly are stainless steel
- Wash tank available as 2-bay only
- 18" Clean drain board
- 1/2" High quality 1/2" faucet assembly with pre-rinse spray

- 1-1/2" Rear-exit stainless ball valve drain
- Wash tanks supported by 1-5/8" stainless diameter legs with 1-1/4" stainless cross members and adjustable stainless steel bullet feet
- Type 304 stainless steel construction throughout tanks, drain boards, splashes and rims (14 gauge)
- 3/4 HP heavy duty (TEFC) wash pump motors (high service factor) are provided with all stainless steel pump assemblies
- Modular design allows quick and easy access to: motor, pump and all major components
- 208-240V/60/1, 4.1 Amps, 115V/60/1, 8.4 Amps, or 220-240V/50/1, 4.8 Amps

CONTROLS:

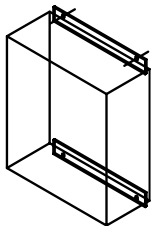
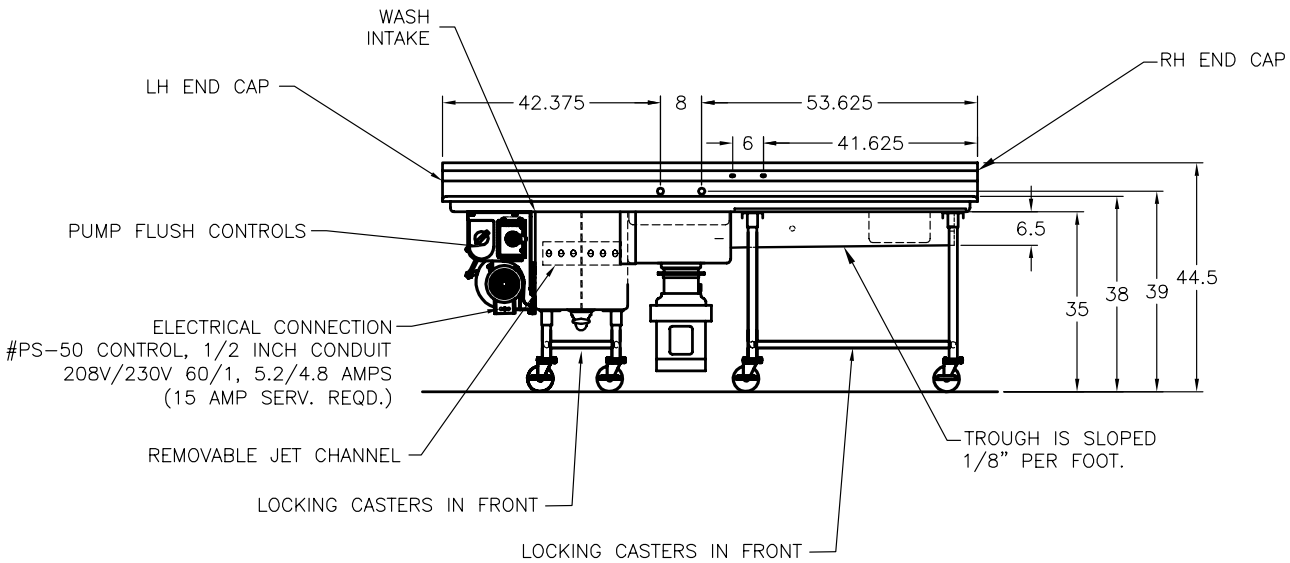
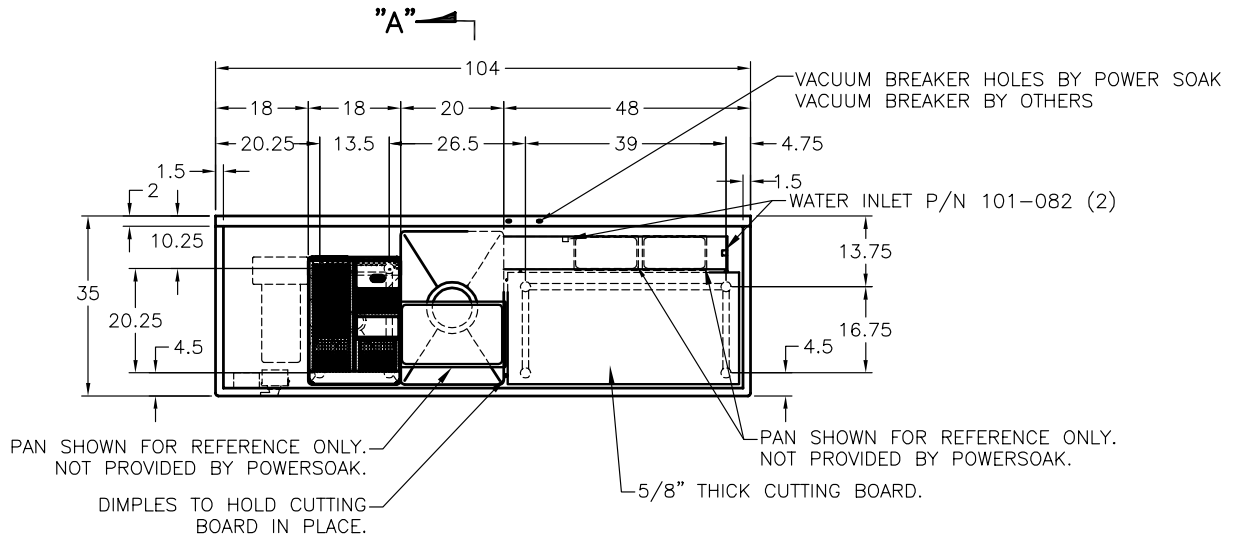
PS-50: Pistol Grip ON/OFF mechanical Start/Stop switch

WARRANTY:

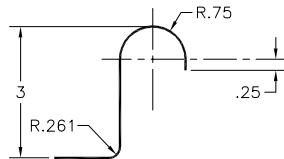
- Three year parts and three year labor warranty from the date of shipping (USA only)
- Flow guides 1 year

ORIGIN OF MANUFACTURE:

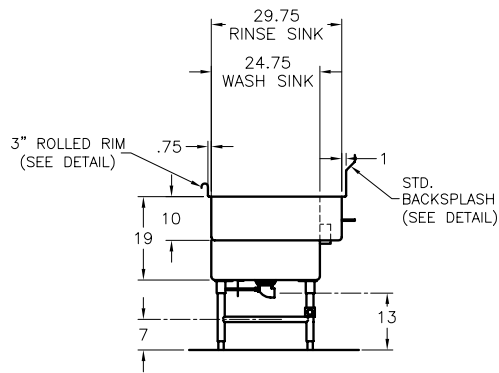
Designed and manufactured in the United States.



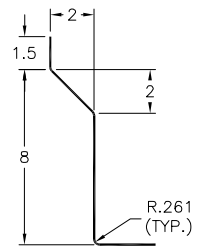
DISPOSER CONTROL BRACKET
TO BE PROVIDED AND
INSTALLED BY OTHERS



3" ROLLED RIM DETAIL



SECTION "A"



BACKSPASH DETAIL