



# SIMPLESPEC

## CHAIN BROILER HOOD MODEL SSA-CHBR-48

This is an exhaust only close proximity cap style chain broiler canopy specifically designed for maximum capture with minimum exhaust. Canopy is mounted no more than 10" above the broiler so that the broiler can be rolled in and out for ease of cleaning and service. This model is intended for use with all makes and models of electric and gas chain broilers with a cooking area of 28"x23" or less.

**SHORT FORM SPEC:** Avtec SSA-CHBR series hood system, designed for use over gas and electric chain broilers. Includes stainless UL 710 Listed Hood finished on all sides, stainless steel filters, removable grease troughs and cups. Accessories to include auto start temp sensor prewired to single connection box, top trim to 108" ceiling, and Ansul R102 piping for low proximity conveyor broiler coverage.

### STANDARD FEATURES:

- All 430 stainless steel construction
- UL Listed baffle style stainless steel grease filters
- IMC 2006 auto start temp sensor fan delay interlock
- Removable grease trough and cups
- Stainless steel top enclosure to 108" ceiling
- Ansul R102 piping
- Exhaust collar

**SPECIFICATIONS:** Designed for use over any electric or chain broiler with a cooking surface of 28" x 23" or smaller. A double shell, direct draw cap style canopy specifically designed to ventilate chain broilers. The canopy is constructed of 18 gauge stainless steel on all surfaces. Canopy is to meet NSF standards for construction and UL 710 standards for operation. Canopy shall have fluid welded exterior joints and seams. Canopy construction shall conform to NFPA 96 standards. All exposed welds are to be ground and polished to match finish requirements. Hanging brackets provided to hang hood no more than 10" above the chain broiler. An A-Bank of UL Listed stainless steel baffle style grease filters are centered along the 48" dimension, with removable grease troughs, cups, and upper carrier for cleaning with out the use of tools.

**ORIGIN OF MANUFACTURE:** Designed and manufactured in the United States.



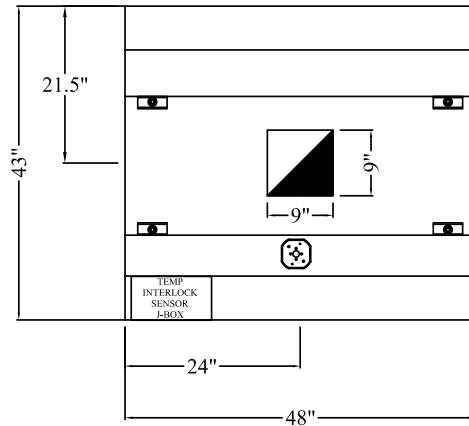
PROJECT NAME:	
LOCATION:	
ITEM NO:	
QTY:	
MODEL NO:	
AIA NO:	
SIS NO:	
CSI SECTION:	11400



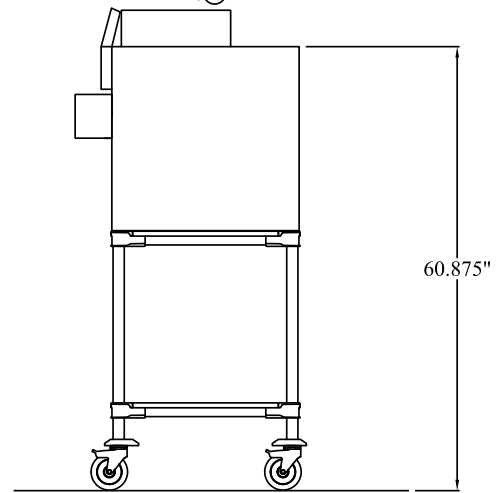
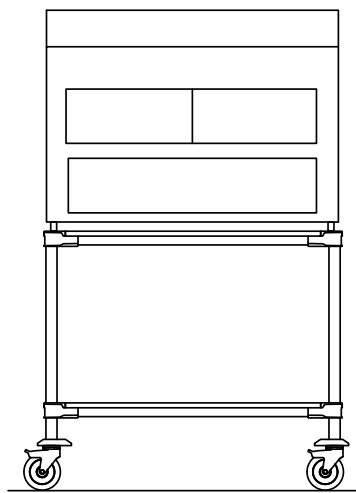
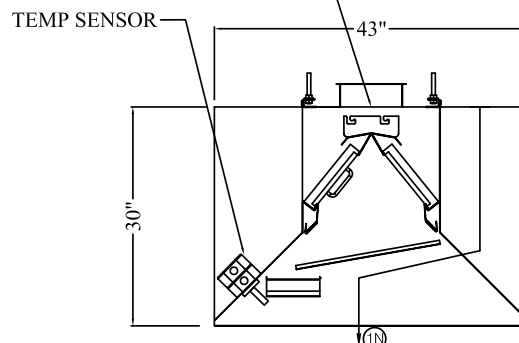
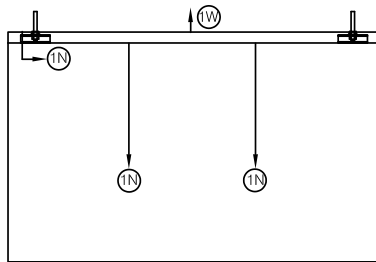
Model SSA-CHBR-48 shown

### ADDITIONAL RESOURCES:

- [Request A Quote](#)
- [Product Videos](#)
- [Sales Tools](#)
- [Find A Rep](#)



REMOVABLE UPPER FILTER CARRIER FOR CLEANING ACCESS TO FUSIBLE LINK



MODEL	SIZE	EXHAUST CFM	MAX COOKING SURFACE FOOTPRINT	COLLAR	SIZED FOR USE OVER MODELS
SSA-CHBR-48	48" x 43" x 30"	900	28" x 23"	(1) 9x9 @ 0.675SP	NEICO BROILER JF62C, JF62, JF63, JF63BG, JF63-3 CONTACT AVTEC FOR OPTIONS ON LARGER MODELS

\* Requires a minimum of 10" overhang left to right and front to back, to hang no more than 10" above chain broiler.