



SIMPLESPEC

FRYER HOOD MODELS SSA-FRYER

This is a low profile, exhaust only backshelf ventilator designed to mount on the wall. A plate shelf is built into the front of this model for plate and condiment storage. This unit is UL 710 Listed and intended for use over 400 and 600°F cooking appliances. This model is designed for use over commercial fryers, up to 30" deep. Ovens and broilers are not recommended for use under this model.

SHORT FORM SPEC: SSA-FRYER series hood system designed for use over single and double vat fryers. Includes stainless UL 710 Listed Hood with built in plate shelf, 3" rear air space, stainless steel filters, removable grease trough and cup. Accessories to include auto start temp sensor prewired to connection box, Ansul R102 piping for low proximity fryer coverage, adjustable top trim to 108" ceiling, and 20 gauge stainless steel wall panels 42" tall by the length of the hood. Hood system designed for use over commercial fryers.

AVAILABLE MODELS:

- SSA-FRYER2-16
- SSA-FRYER3-16
- SSA-FRYER2-20
- SSA-FRYER3-20

STANDARD FEATURES:

- All 430 stainless steel construction
- UL Listed stainless steel grease filters
- Exhaust collar installed
- Built in plate shelf with retention clip
- Top enclosure to 108" ceiling
- Stainless steel wall panel, length of hood x 42" tall
- IMC 2006 auto start temp sensor fan delay interlock
- Ansul R102 piping (includes piping, chrome sleeve drops, nozzles, and detector conduit mounted in hood)
- 3" Rear air space
- Concealed grease trough
- Removable grease cup

SPECIFICATIONS: An exhaust only single shell back shelf ventilator constructed of stainless steel on all surfaces. Ventilator shall have all welded exterior joints and seams. Ventilator construction shall conform to NFPA 96 standards. All exposed welds are to be ground and polished to match finish requirements. Ventilator is to meet NSF standards for construction and UL standards for operation. Grease trough(s) to be easily removable and sloped to removable grease cup(s). UL Listed baffle style stainless steel grease filters to run the length of ventilator.

ORIGIN OF MANUFACTURE: Designed and manufactured in the United States.



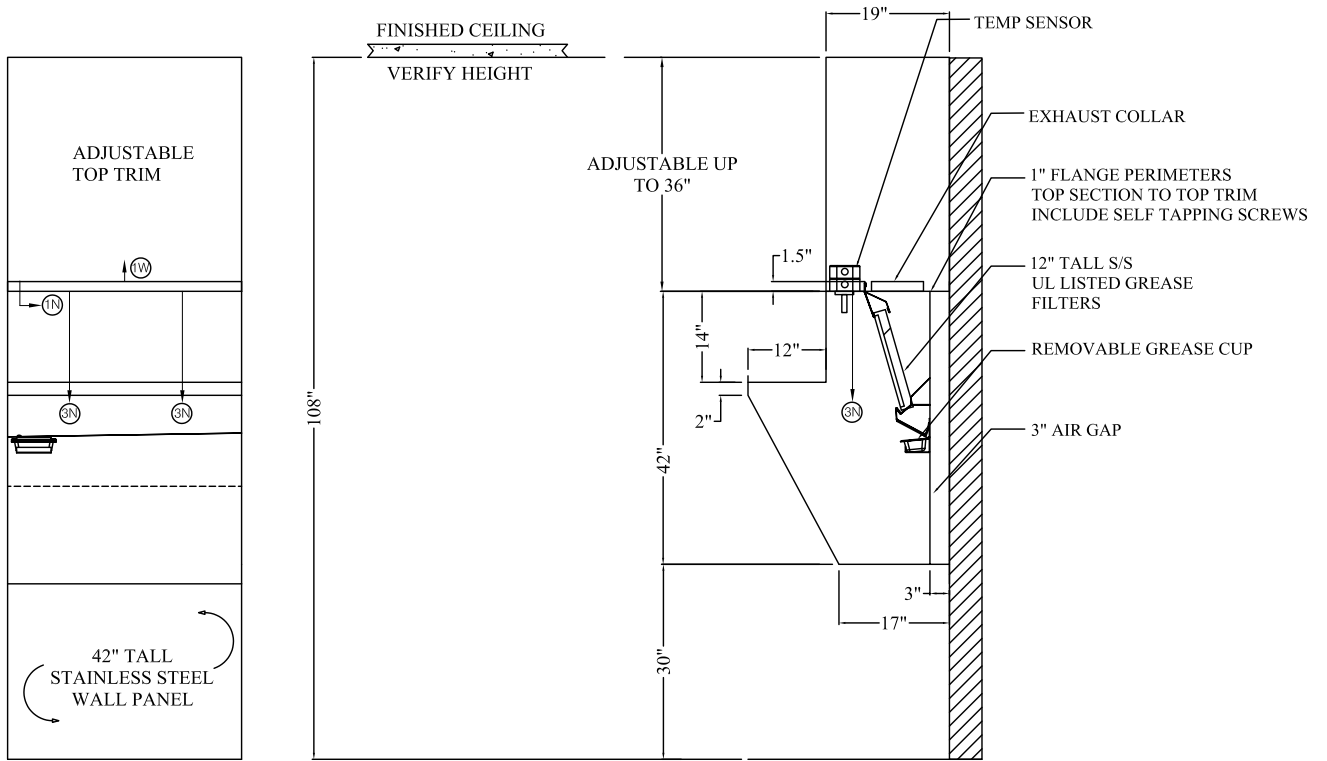
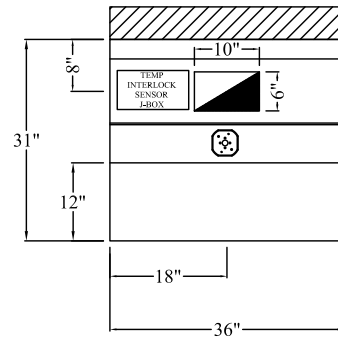
| | |
|---------------|-------|
| PROJECT NAME: | |
| LOCATION: | |
| ITEM NO: | |
| QTY: | |
| MODEL NO: | |
| AIA NO: | |
| SIS NO: | |
| CSI SECTION: | 11400 |



Model SSA-FRYER2-16 shown

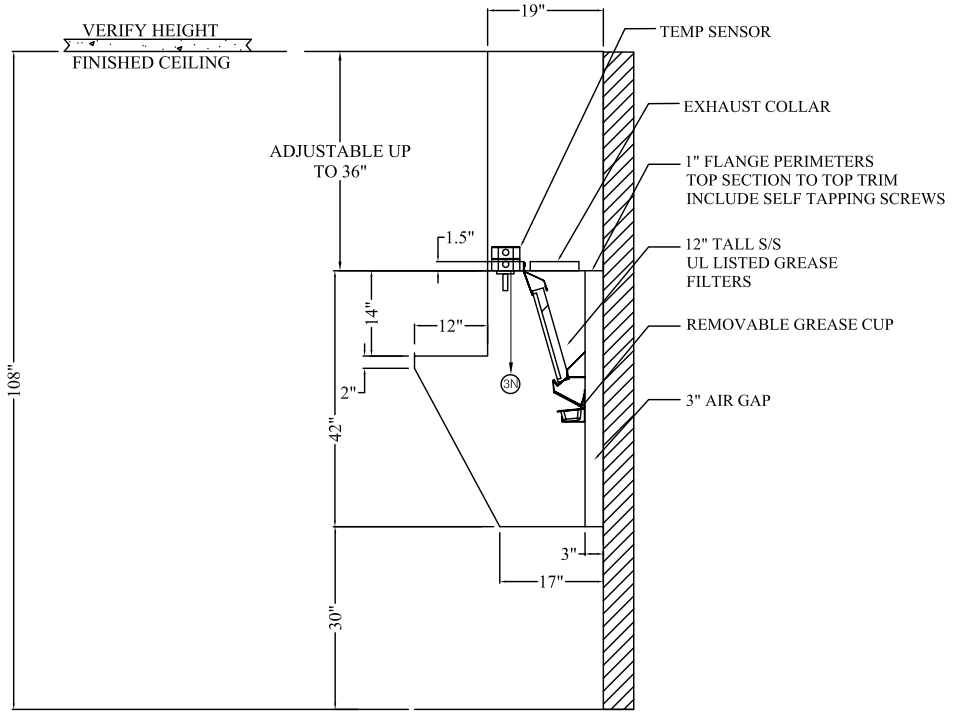
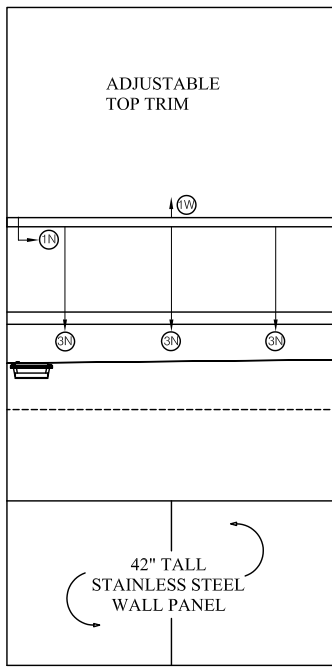
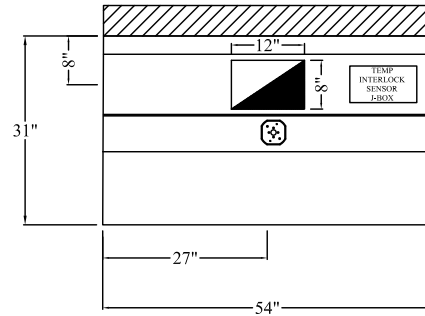
ADDITIONAL RESOURCES:

- [Request A Quote](#)
- [Product Videos](#)
- [Sales Tools](#)
- [Find A Rep](#)

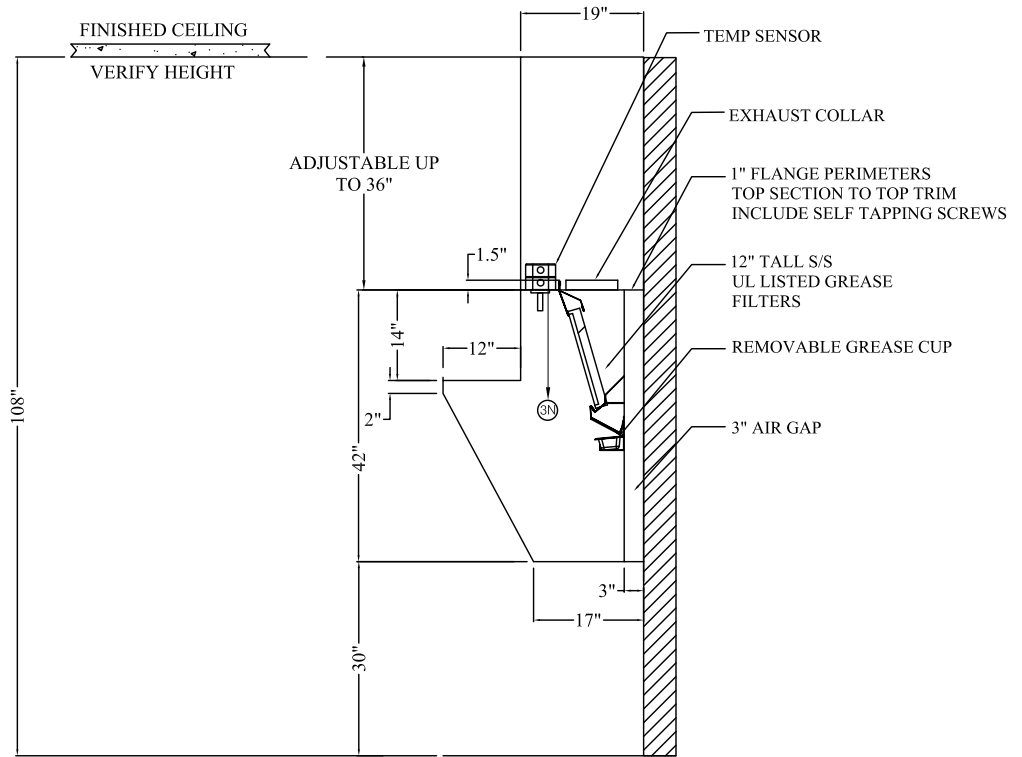
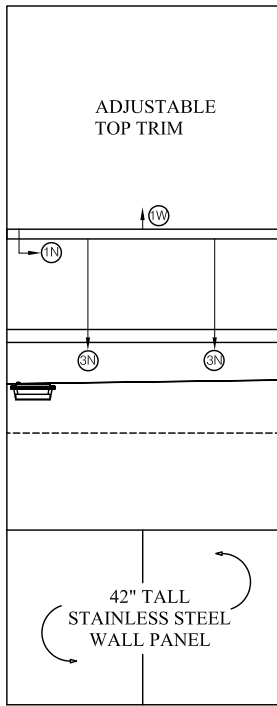
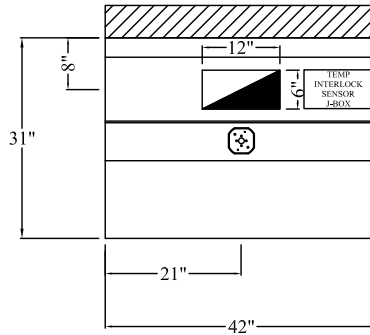


| MODEL | LENGTH | # FRYERS COVERED | EXHAUST CFM | COLLAR |
|---------------|--------|------------------|-------------|-------------------|
| SSA-FRYER2-16 | 36" | 2 @ 16.5" Wide | 700 | (1) 6x10 @ 0.67SP |



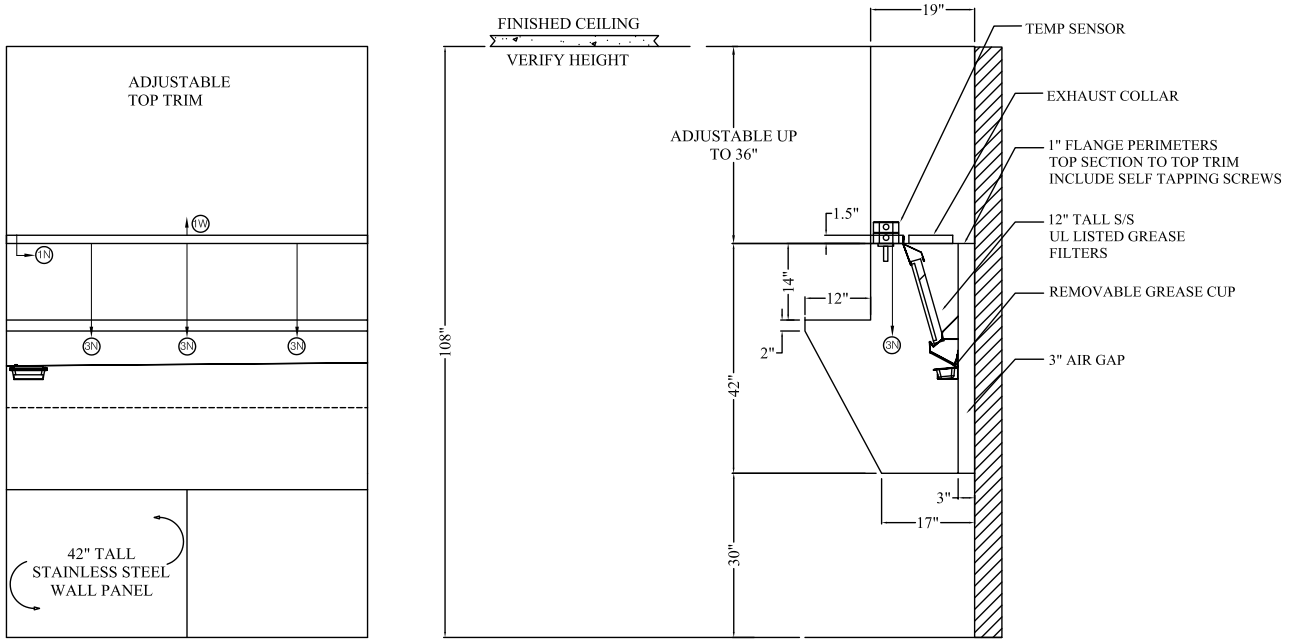
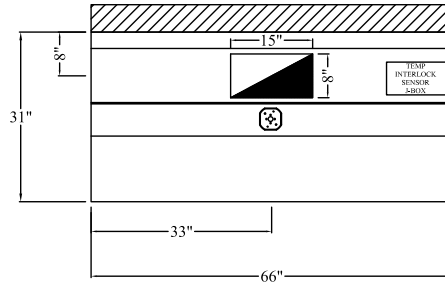


| MODEL | LENGTH | # FRYERS COVERED | EXHAUST CFM | COLLAR |
|---------------|--------|------------------|-------------|--------------------|
| SSA-FRYER3-16 | 54" | 3 @ 16.5" Wide | 1100 | (1) 8x12 @ 0.675SP |



| MODEL | LENGTH | # FRYERS COVERED | EXHAUST CFM | COLLAR |
|---------------|--------|------------------|-------------|-------------------|
| SSA-FRYER2-20 | 42" | 2 @ 20" Wide | 875 | (1) 6x12 @ 0.67SP |





| MODEL | LENGTH | # FRYERS COVERED | EXHAUST CFM | COLLAR |
|---------------|--------|------------------|-------------|-------------------|
| SSA-FRYER3-20 | 66" | 3 @ 20" Wide | 1400 | (1) 8x15 @ 0.67SP |

