

RanChef Intro

Randell RanChef Intro chef tables, the heart of every successful kitchen, provide efficient prep and plating, and effective transition to servers.

We combine decades of proven kitchen performance with modular designs to provide unlimited flexible size and capacity options for roll-in independent refrigeration and hot food holding equipment. Roll ANY independent equipment into the RanChef wing walls.

Bundle with Randell independent equipment and receive a significant discount!



RanChef Intro Features & Benefits

36 standard modules with storage shelving, over-shelf systems and wing-walls that make up to 1620 combinations from just over 7ft. to 24.5ft

Pre-configured modules sized to accommodate prep tables, work top refrigerators/freezers, and hot food tables

Engineered with field adaptability in mind, with chaseways for running electrical through cabinets and over-shelving

Pre-assembled at factory to ensure proper fit and easy re-assembly in field

Standard electrical circuits accommodate both refrigeration and hot food tables

All models listed in Auto Quotes for easy access to pricing

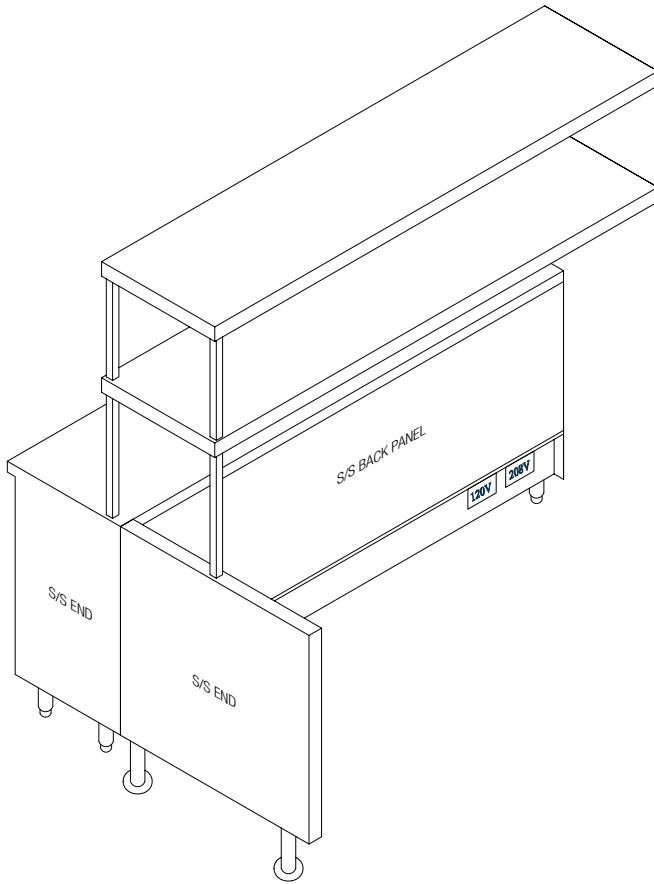
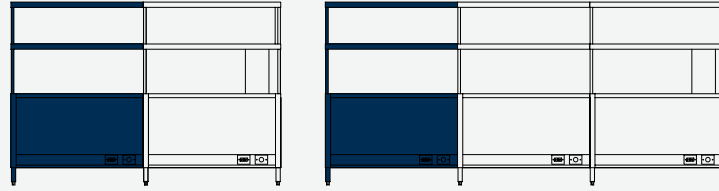
CAD blocks and Revit families available for all models

Same day quotation, CAD and Revit drawings from factory

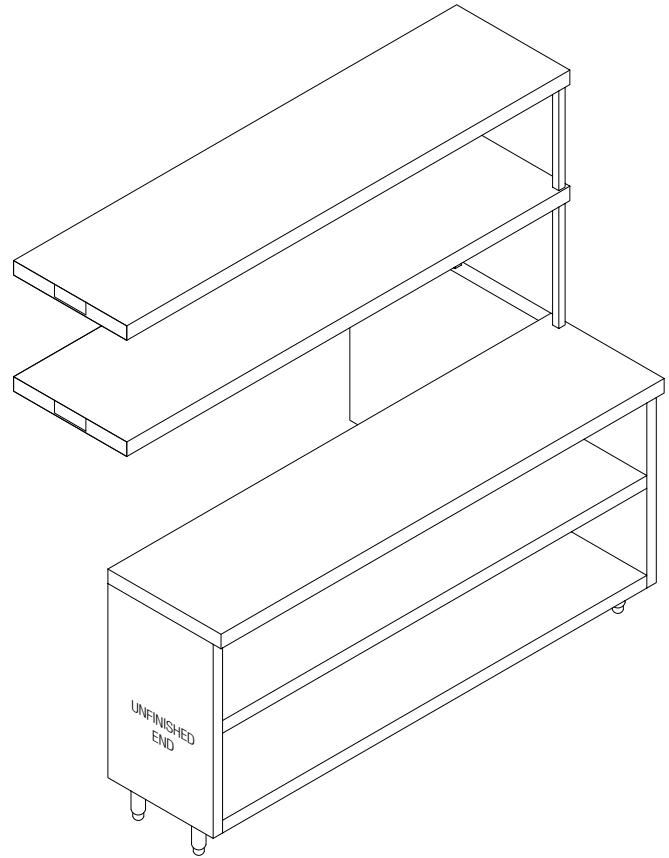
Shipped and assembled in easy to manage component sizes allow equipment to be moved into the space easier than ever

Heavy duty construction with high grade materials ensure long life expectancy

16 business day lead time from order to shipment

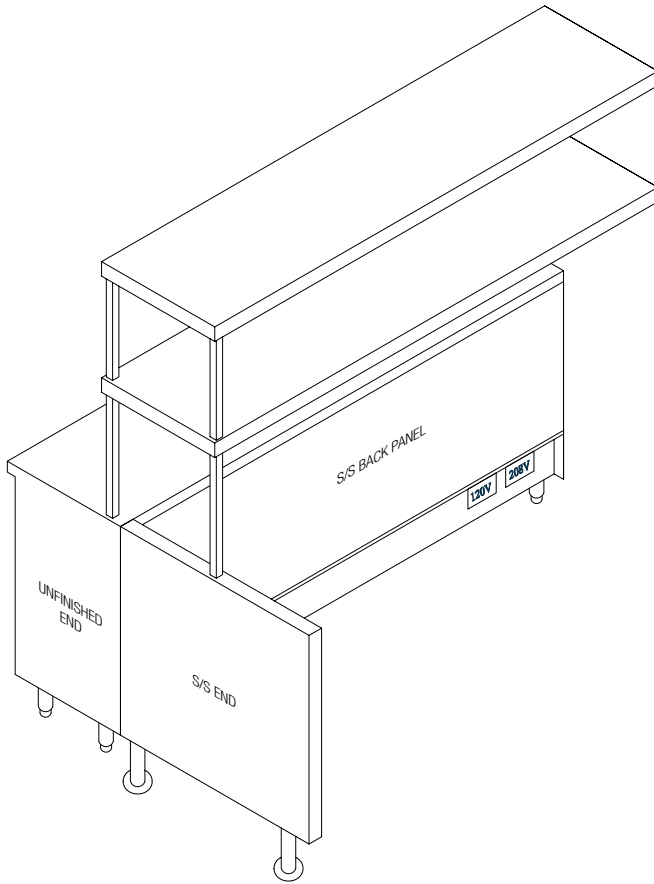
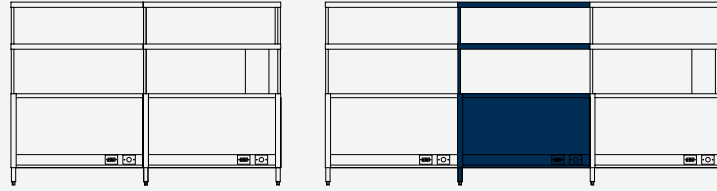


Chef Side

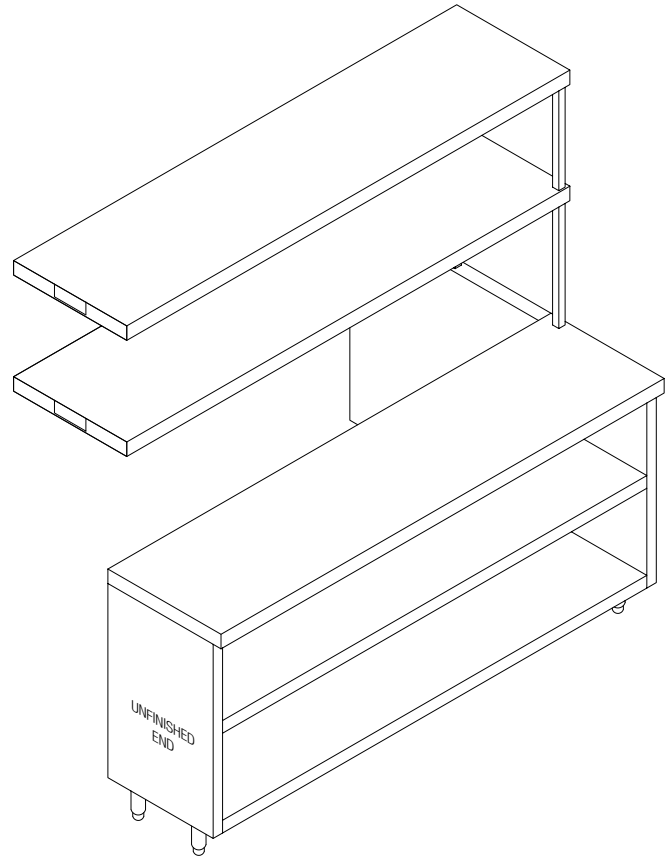


Server Side

MODEL	CABINET LENGTH	INTERIOR LENGTH	120V RECEPTACLE NEMA#	208V RECEPTACLE NEMA#
Models represent the LEFT end of the chef-side of the counter assembly (RIGHT end of the server side). Includes: plate storage cabinet, double overshelf and wing wall, each unit standard with two pre-wired circuits.				
RCL-35.5	35.5"	33.5"	5-15R	6-15R
RCL-50.5	50.5"	48.5"	5-15R	6-20R
RCL-62.5	62.5"	60.5"	5-15R	6-30R
RCL-65.5	65.5"	63.5"	5-15R	6-30R
RCL-70.5	70.5"	68.5"	5-15R	6-30R
RCL-74.5	74.5"	72.5"	5-15R	6-30R
RCL-80.5	80.5"	78.5"	5-15R	6-30R
RCL-86.5	86.5"	84.5"	5-15R	6-15R
RCL-97.5	97.5"	95.5"	5-15R	6-15R

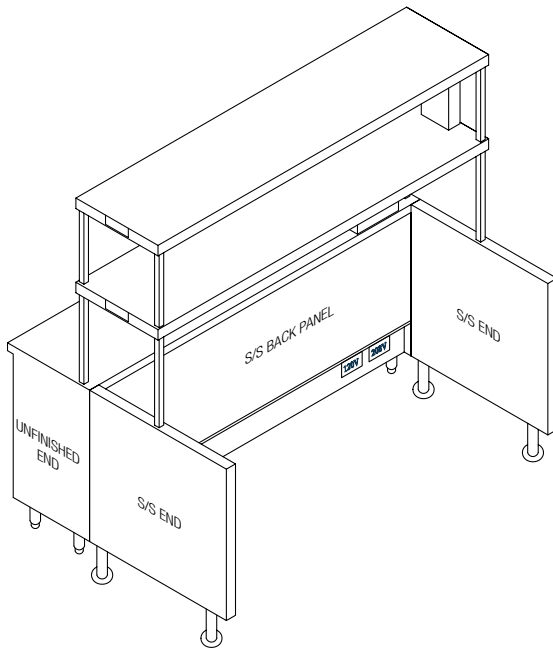
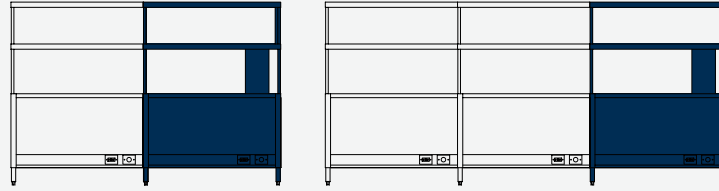


Chef Side

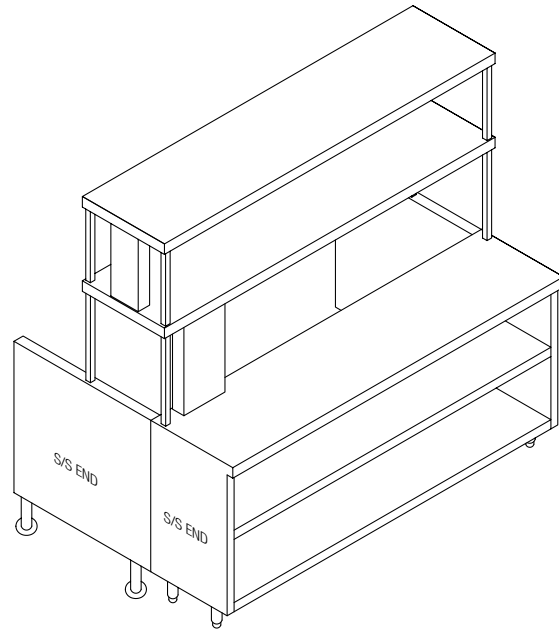


Server Side

MODEL	CABINET LENGTH	INTERIOR LENGTH	120V RECEPTACLE NEMA#	208V RECEPTACLE NEMA#
Models represent the CENTER of the chef-side of the counter assembly (CENTER of the server side). Includes: plate storage cabinet, double overshelf and wing wall, each unit standard with two pre-wired circuits.				
RCC-35.5	35.5"	33.5"	5-15R	6-15R
RCC-50.5	50.5"	48.5"	5-15R	6-20R
RCC-62.5	62.5"	60.5"	5-15R	6-30R
RCC-65.5	65.5"	63.5"	5-15R	6-30R
RCC-70.5	70.5"	68.5"	5-15R	6-30R
RCC-74.5	74.5"	72.5"	5-15R	6-30R
RCC-80.5	80.5"	78.5"	5-15R	6-30R
RCC-86.5	86.5"	84.5"	5-15R	6-15R
RCC-97.5	97.5"	95.5"	5-15R	6-15R

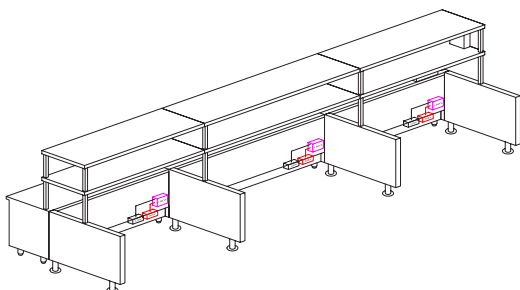


Chef Side



Server Side

MODEL	CABINET LENGTH	INTERIOR LENGTH	120V RECEPTACLE NEMA#	208V RECEPTACLE NEMA#
Models represent the RIGHT of the chef-side of the counter assembly (LEFT of the server side). Includes: plate storage cabinet, double overshelf and wing wall, each unit standard with two pre-wired circuits.				
RCR-37.5	37.5"	33.5"	5-15R	6-15R
RCR-52.5	52.5"	48.5"	5-15R	6-20R
RCR-64.5	64.5"	60.5"	5-15R	6-30R
RCR-67.5	67.5"	63.5"	5-15R	6-30R
RCR-72.5	72.5"	68.5"	5-15R	6-30R
RCR-76.5	76.5"	72.5"	5-15R	6-30R
RCR-82.5	82.5"	78.5"	5-15R	6-30R
RCR-88.5	88.5"	84.5"	5-15R	6-15R
RCR-99.5	99.5"	95.5"	5-15R	6-15R

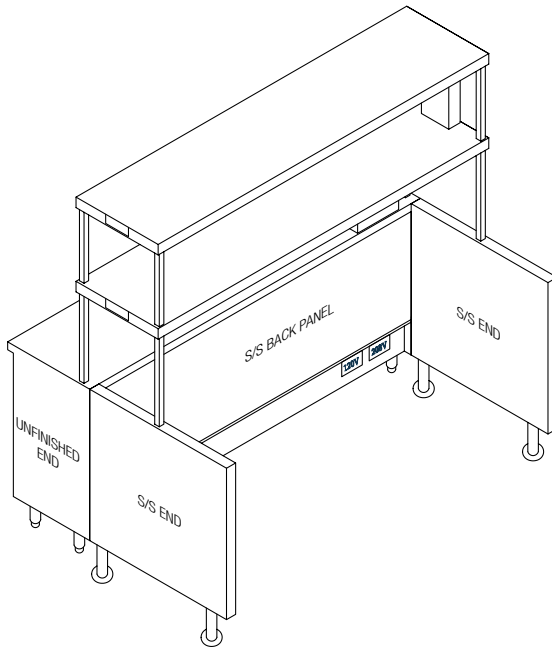
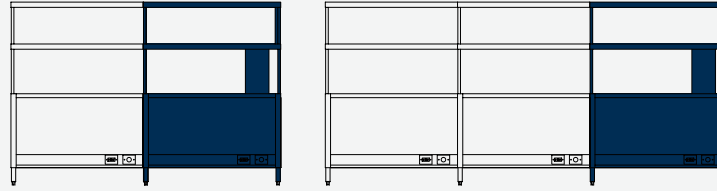


Electrical Included:

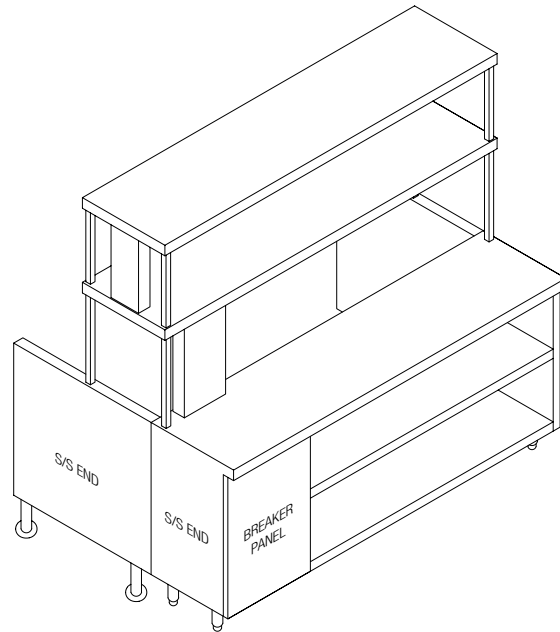
(1)120V-15 AMP receptacle (NEMA# 5-15R) pre-wired to J-box in each section

(1)208V/240V-receptacle pre-wired to J-box in each section (receptacle determined by model, see table above)

Wiring chase from base to over-shelving included on both over-shelves (wiring not provided)

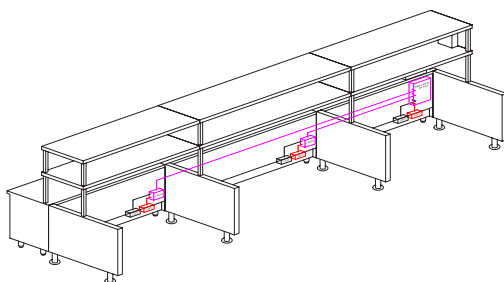


Chef Side



Server Side

MODEL	CABINET LENGTH	INTERIOR LENGTH	120V RECEPTACLE NEMA#	208V RECEPTACLE NEMA#
Models represent the RIGHT of the chef-side of the counter assembly (LEFT of the server side). Includes: pre-wired breaker panel in cabinet, plate storage cabinet, double overshelf and wing wall, each unit standard with two pre-wired circuits.				
RCRBP-37.5	37.5"	33.5"	5-15R	6-15R
RCRBP-52.5	52.5"	48.5"	5-15R	6-20R
RCRBP-64.5	64.5"	60.5"	5-15R	6-30R
RCRBP-67.5	67.5"	63.5"	5-15R	6-30R
RCRBP-72.5	72.5"	68.5"	5-15R	6-30R
RCRBP-76.5	76.5"	72.5"	5-15R	6-30R
RCRBP-82.5	82.5"	78.5"	5-15R	6-30R
RCRBP-88.5	88.5"	84.5"	5-15R	6-15R
RCRBP-99.5	99.5"	95.5"	5-15R	6-15R



Electrical Included:

(1)120V-15 AMP receptacle (NEMA# 5-15R) pre-wired to J-box in each section

(1)208V-receptacle pre-wired to J-box in each section (receptacle determined by model, see table above),
RCRBP section outlets wired directly to the breaker panel

Wiring chase from base to over-shelving included on both over-shelves (wiring not provided)

Breaker Panel pre-wired and numbered for field connection to J-box at each section
(120/208V-3PH, 125 AMP panel (Q0324L125G))

Additional capacity in panel for circuits to be added in field
(2-section design = 18 additional spaces/ 3-section design = 15 additional spaces)

Purchase a RanChef Intro chef table and outfit the counter with any Randell roll-in equipment at an additional discount from standard net.



RANCHEF INTRO MODELS				OPENING LENGTH	MATCHING RANDELL EQUIPMENT					
LEFT	CENTER	RIGHT NO BREAKER PANEL	RIGHT WITH BREAKER PANEL		PREP TABLES			REFRIGERATOR	FREEZER	HOT FOOD TABLE
					RAISED RAIL	FLAT TOP	FLAT TOP	WORK TOP	WORK TOP	
RCL-35.5	RCC-35.5	RCR-37.5	RCRBP-37.5	33"	NA	9412-32-290* 9412-32D-290*	NA	9404-32-290*	9404F-32-290*	3612 (2-well)
RCL-50.5	RCC-50.5	RCR-52.5	RCRBP-52.5	48"	8148N-290 8148W-290	9030K-513 9148W-290	9210-513 9305-513	9215-513	9215F-32-290	3613 (3-well)
RCL-62.5	RCC-62.5	RCR-64.5	RCRBP-64.5	60"	8260N-290	9040K-513 9260W-290	9200-513 9601-513	9205-513	9205F-32-290	NA
RCL-65.5	RCC-65.5	RCR-67.5	RCRBP-67.5	63"	NA	NA	NA	NA	NA	3614 (4-well)
RCL-70.5	RCC-70.5	RCR-72.5	RCRBP-72.5	68"	8268N-290 8268W-290	NA	NA	NA	NA	NA
RCL-74.5	RCC-74.5	RCR-76.5	RCRBP-76.5	72"	NA	9045K-513 9272W-290	9230-513	9235-513	NA	NA
RCL-80.5	RCC-80.5	RCR-82.5	RCRBP-82.5	78"	NA	NA	NA	NA	NA	3615 (5-well)
RCL-86.5	RCC-86.5	RCR-88.5	RCRBP-88.5	84"	8383N-290	9050K-513	9220-513	9225-513	NA	NA
RCL-97.5	RCC-97.5	RCR-99.5	RCRBP-99.5	95"	8395N-290 8395W-290	NA	NA	NA	NA	NA

* Unit length 32", all other lengths match opening length.

Note, smaller unit combinations can be combined equal to or less than opening length including FX precision holding options.



888.994.7636
unifiedbrands.net

Unified Brands and its Groen, Randell, Avtec, A la Cart, and Power Soak product lines have leading industry positions in cooking equipment, cook-chill production systems, custom fabrication, foodservice refrigeration, ventilation, conveyor systems, and continuous motion ware washing systems. As an operating company within the Refrigerated and Food Equipment Segment of Dover Corporation, Unified Brands is headquartered in Conyers, GA, and has operations in Michigan and Mississippi.

© 2020 Unified Brands. All Rights Reserved. Unified Brands is a wholly-owned subsidiary of Dover Corporation
Printed in the USA.

09/2020