



# CHEF SERVICE COUNTER

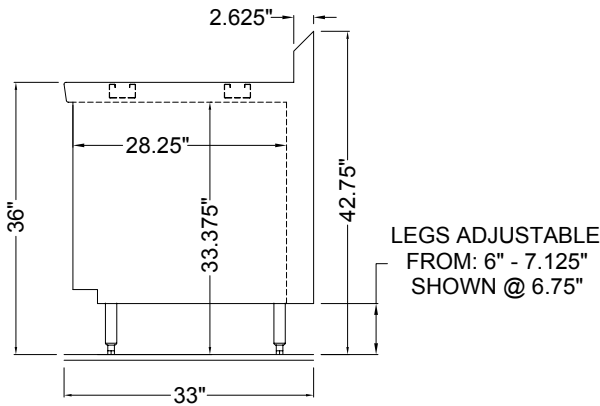
## CUSTOM TOP EXTENSION MODELS 18000

Top extension (open to floor) utility stand with 16 gauge reinforced stainless top, and integral backsplash with 45° return. 6" high adjustable legs.

**SHORT FORM SPEC:** Randell top extension utility stand with 16 gauge stainless steel top reinforced with two full length channel braces and integral 6.75" covered backsplash with 45° return at top. Open to the floor with stainless steel finished interior, shipped on 6" high adjustable legs mounted to 2" wide end supports. Left-right internal clearance is 4" less than overall unit length.

### AVAILABLE MODELS:

- 18324
- 18336
- 18348
- 18360
- 18372
- 18384
- 18396



MODEL	L	D	WORK H	OVERALL H	SHIP WT. LBS
18324	24"	33"	36"	42.75"	110
18336	36"	33"	36"	42.75"	145
18348	48"	33"	36"	42.75"	180
18360	60"	33"	36"	42.75"	215
18372	72"	33"	36"	42.75"	250
18384	84"	33"	36"	42.75"	285
18396	96"	33"	36"	42.75"	320

PROJECT NAME:	
LOCATION:	
ITEM NO:	
QTY:	
MODEL NO:	
AIA NO:	
SIS NO:	
CSI SECTION:	11400



Model 18360 shown with optional stainless steel end panel

### OPTIONS/ACCESSORIES:

- Dimensional modification (L,H,D)
- Cutout in top, trash chute
- Mitered/angled corner
- Backsplash removed, modified
- Stainless riser/divider, end splash
- Urn trough
- 14 gauge top
- Cutting board
- Marine edge top
- Drawers
- Stainless steel end(s), back panel
- Laminated end(s), back panel
- Electrical connections, breaker panel

### ADDITIONAL RESOURCES:

- [Request A Quote](#)
- [Sales Tools](#)
- [Find A Rep](#)
- [KCL AutoCAD/Revit](#)

