



CHEF SERVICE COUNTER

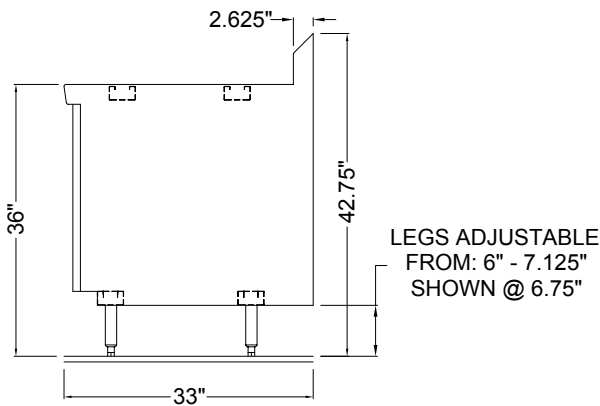
CUSTOM TOP EXTENSION MODELS 19000

Top extension (open to floor) utility stand with 16 gauge reinforced stainless top, an integral backsplash with 45° return, and removable front panel. 6" high adjustable legs.

SHORT FORM SPEC: Randell top extension utility stand with 16 gauge stainless steel top reinforced with two full length channel braces and integral 6.75" coved backsplash with 45° return at top. Open to the floor with removable stainless steel front panel, shipped on 6" high adjustable legs mounted to full length channel frame assembly.

AVAILABLE MODELS:

- 19324
- 19336
- 19348
- 19360
- 19372
- 19384
- 19396



MODEL	L	D	WORK H	OVERALL H	SHIP WT. LBS
19324	24"	33"	36"	42.75"	120
19336	36"	33"	36"	42.75"	160
19348	48"	33"	36"	42.75"	200
19360	60"	33"	36"	42.75"	240
19372	72"	33"	36"	42.75"	280
19384	84"	33"	36"	42.75"	320
19396	96"	33"	36"	42.75"	360

PROJECT NAME:	
LOCATION:	
ITEM NO:	
QTY:	
MODEL NO:	
AIA NO:	
SIS NO:	
CSI SECTION:	11400



Model 19360 shown with optional stainless steel end panel

OPTIONS/ACCESSORIES:

- Dimensional modification (L,D,H)
- Cutout in top, trash chute
- Mitered/angled corner
- Backsplash removed, modified
- Stainless riser/divider, end splash
- Urn trough
- 14 gauge top
- Cutting board
- Marine edge top
- Drawers
- Stainless steel end(s), back panel
- Laminated end(s), back panel, front
- Electrical connections, breaker panel
- Sinks; Handwash, Utility, Dipperwell
- Built-In Coldpan
- Built-In Hot well, Soup well
- Drop-in Ice, Ice/water station
- Curb mount
- Channel base
- Casters

ADDITIONAL RESOURCES:

- [Request A Quote](#)
- [Sales Tools](#)
- [Find A Rep](#)
- [KCL AutoCAD/Revit](#)

