



# SERVING STATIONS

## SERVING LINE BREATH GUARD BENT MODELS RSB-DTDSNA

Designer series bent-corner breath guard: Double-tier, Double-sided, Non-adjustable fronts. Designed for self-service applications.

**SHORT FORM SPEC:** Randell designer series breath guard with bent corners. Double-tier, double sided, non-adjustable design for self service. Framework is constructed of 1" diameter stainless steel tubing with #4 "satin" finish. All glass panels shall be tempered with 1" radius corners and polished edges. Front and top panels utilize 3/8" thickness, end panels utilize 1/4" thickness. Provided with 3" x 1.25" surface mount flanges.

### AVAILABLE MODELS:

- RSB-DTDSNA-24
- RSB-DTDSNA-30
- RSB-DTDSNA-36
- RSB-DTDSNA-48
- RSB-DTDSNA-60
- RSB-DTDSNA-72
- RSB-DTDSNA-86

### NSF LISTED FINISH:

- Stainless steel #4 finish
- Other finishes available (contact factory)

### GLASS:

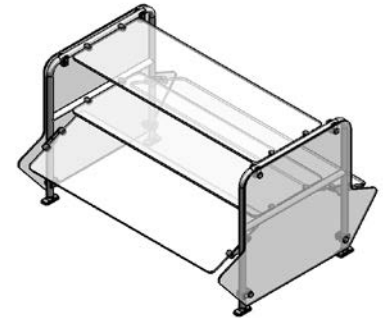
- Standard side glass is 1/4" tempered
- Standard top and front glass is 3/8" tempered (additional leg set required after reaching 66" maximum top glass length)

### BREATH GUARD LENGTH GUIDE:

Unit Length	Center Line Length	Overall Length
24"	21.25"	23.75"
30"	27.25"	29.75"
36"	33.25"	35.75"
48"	45.25"	47.75"
60"	57.25"	59.75"
72"	69.25"	71.75"
86"	83.25"	85.75"



PROJECT NAME:	
LOCATION:	
ITEM NO:	
QTY:	
MODEL NO:	
AIA NO:	
SIS NO:	
CSI SECTION:	11400

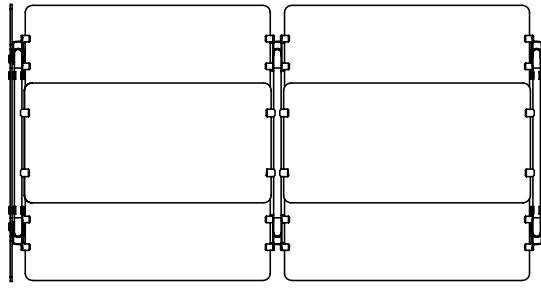
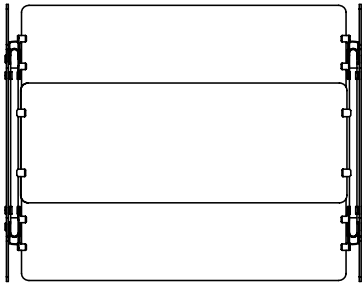


### OPTIONS/ACCESSORIES:

- LED lighting
- Heatlamp
- Combination: LED lighting and heatlamp
- Dimension modification (Consult factory)
- Alternative tubing finish (Consult factory)

### ADDITIONAL RESOURCES:

- [Request A Quote](#)
- [Sales Tools](#)
- [Find A Rep](#)



RSB-DTDSNA-48

RSB-DTDSNA-72

RSB-DTDSNA

