



# SERVING STATIONS

## SERVING LINE BREATH GUARD WELDED MODELS RSW-DTDSNA

Randell's designer series breath guard with welded corners is a 1" diameter 90 degree welded tubing with a stainless steel #4 "satin" finish. The surface flange is a 1.25" x 3", with a standard cap. The double-tier, double sided design glass is a non-adjustable self service on top tier, with a non-adjustable self service front & glass top. Please consult factory for pricing or finish options.



PROJECT NAME:	
LOCATION:	
ITEM NO:	
QTY:	
MODEL NO:	
AIA NO:	
SIS NO:	
CSI SECTION:	11400



### AVAILABLE MODELS:

- RSW-DTDSNA-24
- RSW-DTDSNA-30
- RSW-DTDSNA-36
- RSW-DTDSNA-48
- RSW-DTDSNA-60
- RSW-DTDSNA-72
- RSW-DTDSNA-86

### NSF LISTED FINISH:

- Stainless steel #4 finish
- Other finishes available (contact factory)

### GLASS:

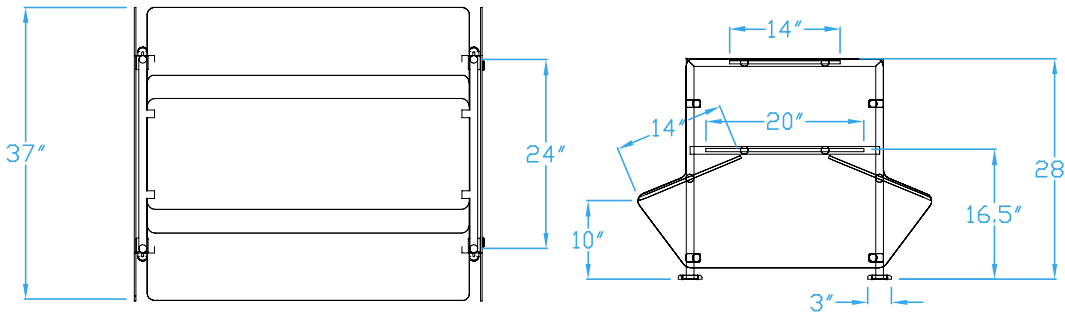
- Standard side glass is 1/4" tempered
- Standard top and front glass is 3/8" tempered (additional leg set required after reaching 66" maximum top glass length)

### BREATH GUARD LENGTH GUIDE:

Unit Length	Center Line Length	Overall Length
24"	21.25"	23.75"
30"	27.25"	29.75"
36"	33.25"	35.75"
48"	45.25"	47.75"
60"	57.25"	59.75"
72"	69.25"	71.75"
86"	Contact Factory for Size Options	

### OPTIONS/ACCESSORIES:

- LED light unit
- Heat only unit
- Heat and light combo unit



### ADDITIONAL RESOURCES:

- [Request A Quote](#)
- [Sales Tools](#)
- [Find A Rep](#)

