



SERVING STATIONS

SERVING LINE BREATH GUARD WELDED MODELS RSW-DTSSNA

Randell's designer series breath guard with welded corners is a 1" diameter 90 degree welded tubing with a stainless steel #4 "satin" finish. The surface flange is a 1.25" x 3", with a standard cap. The double-tier, single sided design glass is a non-adjustable self service on top tier and non-adjustable self service front & top. Please consult factory for pricing or finish options.



PROJECT NAME:	
LOCATION:	
ITEM NO:	
QTY:	
MODEL NO:	
AIA NO:	
SIS NO:	
CSI SECTION:	11400



AVAILABLE MODELS:

- RSW-DTSSNA-24
- RSW-DTSSNA-30
- RSW-DTSSNA-36
- RSW-DTSSNA-48
- RSW-DTSSNA-60
- RSW-DTSSNA-72
- RSW-DTSSNA-86

NSF LISTED FINISH:

- Stainless steel #4 finish
- Other finishes available (contact factory)

GLASS:

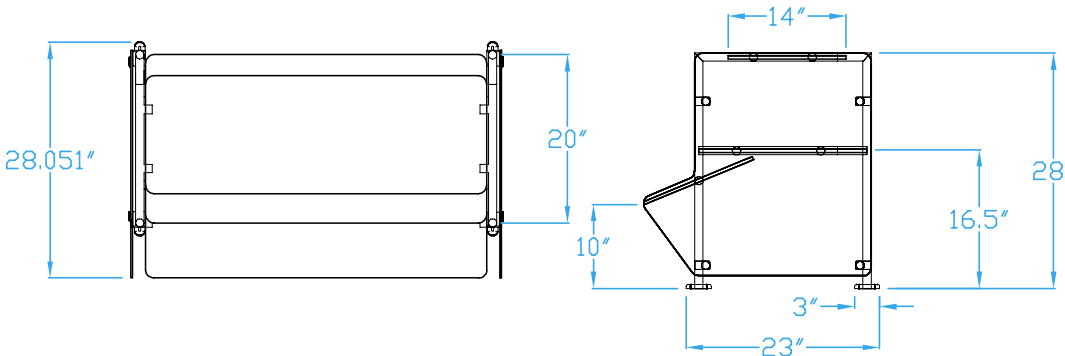
- Standard side glass is 1/4" tempered
- Standard top and front glass is 3/8" tempered (additional leg set required after reaching 66" maximum top glass length)

BREATH GUARD LENGTH GUIDE:

Unit Length	Center Line Length	Overall Length
24"	21.25"	23.75"
30"	27.25"	29.75"
36"	33.25"	35.75"
48"	45.25"	47.75"
60"	57.25"	59.75"
72"	69.25"	71.75"
86"	Contact Factory for Size Options	

OPTIONS/ACCESSORIES:

- LED light unit
- Heat only unit
- Heat and light combo unit



ADDITIONAL RESOURCES:

- [Request A Quote](#)
- [Sales Tools](#)
- [Find A Rep](#)

