

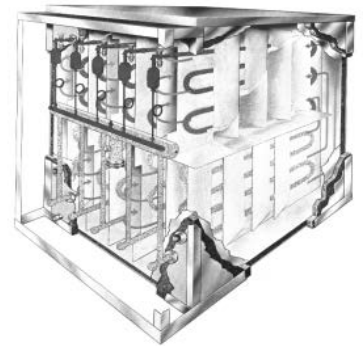


CHILLERS

ICE BUILDER MODEL CKIB

CapKold Chilled Water Production System to provide cold water for the rapid chilling of packaged product in: Tumble Chillers, Cook Tanks, Direct Steam Kettles.

PROJECT NAME:	
LOCATION:	
ITEM NO:	
QTY:	
MODEL NO:	
AIA NO:	
SIS NO:	
CSI SECTION:	11400



CONSTRUCTION:

System to consist of the following items:

- Model GT ___ ice builder of ___ lbs capacity
- Model ___, ___ refrigeration (air or water) cooled
- Ice thickness control panel
- Optional ___ HP chilled water circulation pump
- Optional remote, system on off panel

COMPONENTS:

- (A) Air Cooled Refrigeration System
- (C) System Water Circulation Pump
- (B) Ice Building Tank
- (D) Ice Water Thickness Control Panel

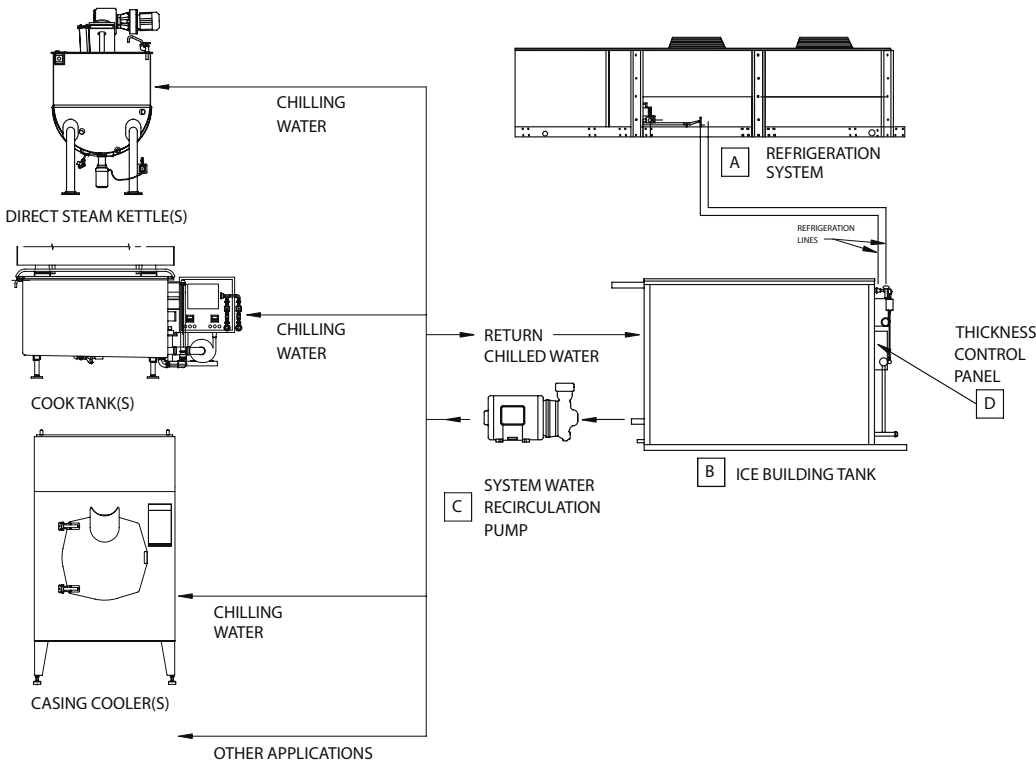
APPLICATIONS: A reliable and cost effective source of chilled water is key to the rapid chilling of kettle cooked and Cook Tank prepared foods and also a valuable resource in other food prep and production applications. The sizing of the Ice Building Tank and supporting Refrigeration System is a function of the estimated daily chilled water requirements for all applications. Typical Production Equipment Chilled Potential growth, future equipment additions, added production shifts and physical layout and relationship of Ice Building Tank to production areas will all impact proper sizing of Ice Builders.

ADDITIONAL RESOURCES:

[Request A Quote](#)

[Sales Tools](#)

[Find A Rep](#)



(A) ICE BUILDER REFRIGERATION:

Provides the chilling capacity for the Ice Building Tank and features:

- A sealed Compressor, designed for efficient operation with R404A or Ammonia (Please Specify)
- Liquid line dryer and suction line accumulator
- Fixed suction line core type filter
- Suction & Discharge line vibration eliminators
- Integrated controls include:
 - Head pressure controls
 - Oil failure switch
 - Sight glass
 - Liquid line solenoid valve and switch
 - Head pressure control
 - Fan cycling system if required
- Available Options:
 - Oil separator
 - Suction accumulator with heat exchanger
 - Full size receiver
 - Air or Water cooled condenser (Consult CapKold)
 - Alternative refrigerants
 - Crank case heater

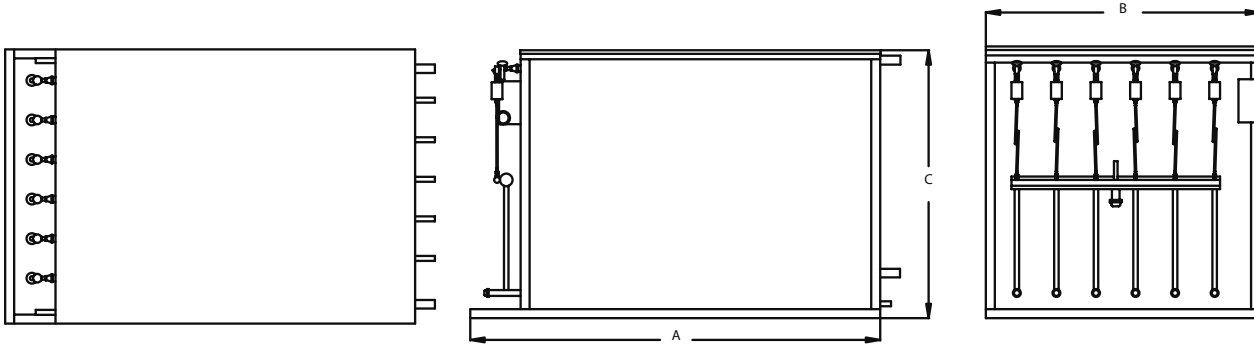
(B) ICE BUILDING TANK MODEL:

Used to build ice around a series of refrigeration coils and features: (see next page for drawings and charts)

- Tank fabricated from 3/16" stainless steel
- 2" foam insulation with 18 gauge stainless steel outer skin
- Insulated stainless steel covers
- Designed for indoor or outdoor installation
- Heavy duty coils, schedule 40, stainless steel with structural supports
- Automatic water fill
- Ice thickness control to regulate ice buildup around coils (See Ice Thickness Control Panel)
- Standard units ship in one piece.
- Available Options:
 - Remote start stop station
 - On and Off timer
 - Remote pump control panel with disconnect

(B) ICE BUILDING TANK MODEL: Continued

Ice Builder System Component Ordering Guide: (Contact CapKold for assistance or review of Ice Builder Sizing)



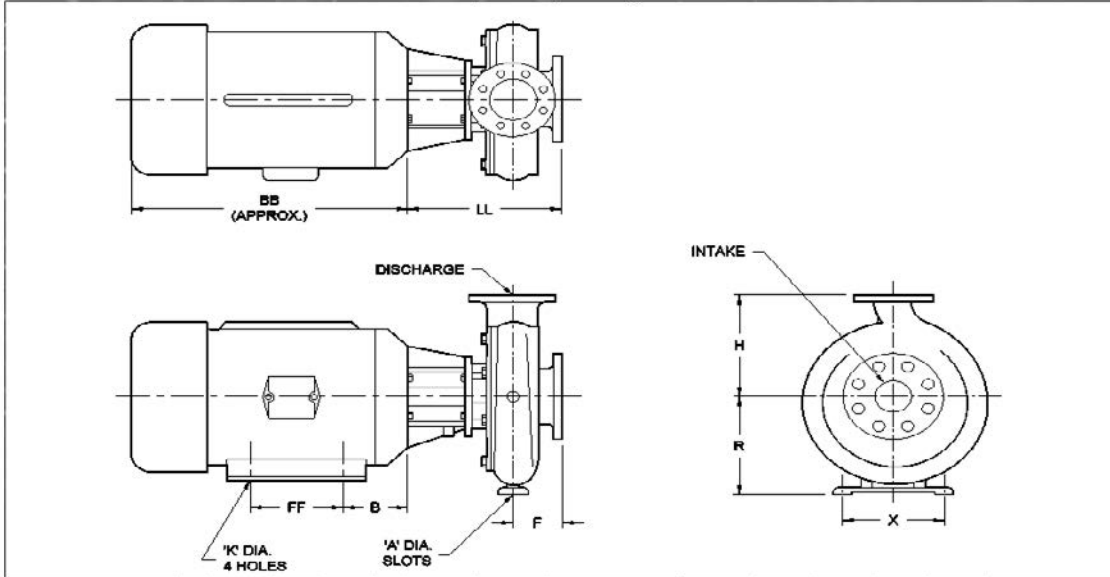
MODEL	ICE STORAGE CAPACITY	TANK LENGTH (A)	TANK WIDTH (B)	TANK HEIGHT (C)	TANK CAPACITY (GALLONS OF WATER)	SHIPPING WEIGHT IN LBS.	OPERATING WEIGHT IN LBS.
GIR-2052	600	72"	28"	29"	135	1300	2450
GIR-2072	900	96"	28"	29"	200	1800	3400
GIR-2063	1,200	86"	28"	38"	230	2270	4700
GIR-2083	1,800	114"	28"	38"	325	2525	6400
GIR-2084	2,500	114"	28"	50"	435	2835	6550
GIR-3084	3,750	114"	40"	50"	655	3700	9400
GIR-3104	4,685	138"	40"	50"	825	4350	11500
GIR-4084	5,000	114"	52"	50"	870	4565	12250
GIR-5084	6,250	114"	64"	50"	1090	5430	15100
GIR-3106	7,030	138"	40"	74"	1235	5980	16850
GIR-6084	7,500	114"	76"	50"	1310	6300	17950
GIR-5104	7,800	138"	64"	50"	1375	6390	18500
GIR-3126	8,435	162"	40"	74"	1490	6850	19900
GIR-5086	9,375	114"	64"	74"	1635	6890	22500
GIR-6086	11,250	114"	76"	74"	1960	7920	25599
GIR-4108	12,500	138"	52"	98"	2150	8895	28400
GIR-6106	14,060	138"	76"	74"	2475	10070	32100
GIR-4128	15,000	162"	52"	98"	2600	9600	31500
GIR-5146	16,405	186"	64"	74"	2910	11400	37000
GIR-5128	18,750	138"	64"	98"	3245	11600	39500
GIR-6128	22,500	138"	76"	98"	3895	13850	47750
GIR-5168	25,000	210"	64"	98"	4455	15650	47600
GIR-6206	28,125	258"	76"	74"	5030	18560	62700
GIR-7148	30,625	186"	88"	98"	5440	18760	67760
GIR-5208	31,250	258"	64"	98"	5590	18830	68000
GIR-6228	41,250	282"	76"	98"	7390	25500	91500
GIR-7208	43,750	258"	88"	98"	7825	26050	96050

NOTE: LARGER SIZES AVAILABLE – PLEASE CALL THE FACTORY FOR INFORMATION

(C) SYSTEM WATER CIRCULATION PUMP:

To pump chilled water from Ice Building Tank to remote CapKold Tumble Chillers, Cook Tanks and Kettle jackets and back to Ice Builder.

_ Horsepower either cast iron or stainless steel construction.

Close Coupled Pump Drawing


6	H	F	X	R	LL	A	DISCH.	INTAKE	NEMA FR. SIZE	BB	D	E	FF	B	'K' DIA. HOLES
GIRCL-1 X 2-10SEH	0.5	4	9.75	0.25	11.70	.62	1	2	102JP	12.60	4.5	3.75	4.5	2.07	.40
GIRCL 1 1/2 X 3 10SEH	8.5	4	9.75	8.25	12.37	.62	1 1/2	3	213JP	16.37	5.25	4.25	5.5	4.5	.40
GIRCL-2 X 3-10SEH	9.5	4	9.75	8.25	12.37	.62	2	3	215JP	16.87	5.25	4.25	7	4.5	.40
GIRCL-3 X 4-10-SHE	11	4	9.75	8.25	11.63	.62	3	4	215JP	16.87	5.25	4.25	7	4.5	.40

Model Number	Ice Builder Ice Capacity	Circulation Pump with Bypass System			Packaged Refrigeration
		3/60/208-230/460 Volt	Cast Iron Pump	S/S Pump	3/60/208-230/460 Volt
			Model	Model	Model
		Horsepower and Flow Rate (@75'hd)	Less Control Box	Less Control Box	Compressor Hp
GIR-2052	600	3 Hp 25 gpm	GIR-11019C1HA-4.25	GIR-11019C1HB-4.25	GIR LSN008H2C - 3/4 Hp
GIR-2072	900	3 Hp 25 gpm	GIR-11019C1HA-4.25	GIR-11019C1HB-4.25	GIR LSN015H2C - 1 1/2 Hp
GIR-2063	1,200	3 Hp 50 gpm	GIR-11019C1HA-4.375	GIR-11019C1HB-4.375	GIR LSN020H2C - 2 Hp
GIR-2083	1,800	3 1/2 Hp 50 gpm	GIR-11019C1HA-4.375	GIR-11019C1HB-4.375	GIR LSN029M2C - 3 1/2 Hp
GIR-2084	2,500	5 Hp 100 gpm	GIR-11019C1HA-4.625	GIR-11019C1HB-4.625	GIR LSN030H3C - 3 Hp
GIR - 3084	3,750	3 Hp 50 gpm	GIR-CL1X2-10SEH-CA	GIR-CL1X2-10SEH-SS	GIR0501H2, 5HP
GIR - 3104	4,685	3 Hp 50 gpm	GIR-CL1X2-10SEH-CA	GIR-CL1X2-10SEH-SS	GIR0750H2, 7 1/2HP
GIR - 4084	5,000	3 Hp 50 gpm	GIR-CL1X2-10SEH-CA	GIR-CL1X2-10SEH-SS	GIR0750H2, 7 1/2HP
GIR - 5084	6,250	7 1/2 Hp 100 gpm	GIR-CL1.5X3-10SEH-CA	GIR-CL1.5X3-10SEH-SS	GIR0751H2, 7 1/2HP
GIR - 3106	7,030	7 1/2 Hp 100 gpm	GIR-CL1.5X3-10SEH-CA	GIR-CL1.5X3-10SEH-SS	GIR0800H2, 8HP
GIR - 6084	7,500	7 1/2 Hp 100 gpm	GIR-CL1.5X3-10SEH-CA	GIR-CL1.5X3-10SEH-SS	GIR0800H2, 8HP
GIR - 5104	7,800	7 1/2 Hp 100 gpm	GIR-CL1.5X3-10SEH-CA	GIR-CL1.5X3-10SEH-SS	GIR0800H2, 8HP
GIR - 3126	8,435	7 1/2 Hp 100 gpm	GIR-CL1.5X3-10SEH-CA	GIR-CL1.5X3-10SEH-SS	GIR1000H2C, 10HP
GIR - 5086	9,375	7 1/2 Hp 150 gpm	GIR-CL2X3-10SEH-CA	GIR-CL2X3-10SEH-SS	GIR1000H2C, 10HP
GIR - 6086	11,250	7 1/2 Hp 150 gpm	GIR-CL2X3-10SEH-CA	GIR-CL2X3-10SEH-SS	GIR1500H2, 15HP
GIR - 4108	12,500	7 1/2 Hp 150 gpm	GIR-CL2X3-10SEH-CA	GIR-CL2X3-10SEH-SS	GIR1500H2, 15HP
GIR - 6106	14,060	7 1/2 Hp 150 gpm	GIR-CL2X3-10SEH-CA	GIR-CL2X3-10SEH-SS	GIR2000H2/M6/C6, 20HP
GIR - 4128	15,000	7 1/2 Hp 150 gpm	GIR-CL2X3-10SEH-CA	GIR-CL2X3-10SEH-SS	GIR2500H2/M6/C6, 25HP
GIR - 5146	16,405	7 1/2 Hp 150 gpm	GIR-CL2X3-10SEH-CA	GIR-CL2X3-10SEH-SS	GIR2500H2/M6/C6, 25HP
GIR - 5128	18,750	7 1/2 Hp 150 gpm	GIR-CL2X3-10SEH-CA	GIR-CL2X3-10SEH-SS	GIR3000H2/M6/C6, 30HP
GIR - 6128	22,500	7 1/2 Hp 200 gpm	GIR-CL2X3-10200-CA	GIR-CL2X3-10200-SS	GIR3500H2/M6/C6, 35HP
GIR - 5168	25,000	7 1/2 Hp 200 gpm	GIR-CL2X3-10200-CA	GIR-CL2X3-10200-SS	GIR3000H2/M6/C6, (2) 15HP
GIR - 6206	28,125	7 1/2 Hp 175 gpm	GIR-CL2X3-10175-CA	GIR-CL2X3-10175-SS	GIR5000H2/M6/C6, (2) 25HP
GIR - 7148	30,625	10 Hp 300 gpm	GIR-CL3X4-10SEH-CA	GIR-CL3X4-10SEH-SS	GIR5000H2/M6/C6, (2) 25HP
GIR - 5208	31,250	10 Hp 300 gpm	GIR-CL3X4-10SEH-CA	GIR-CL3X4-10SEH-SS	GIR5000H2/M6/C6, (2) 25HP
GIR - 6228	41,250	10 Hp 300 gpm	GIR-CL3X4-10SEH-CA	GIR-CL3X4-10SEH-SS	GIR6000H2/M6/C6, (2) 30HP
GIR - 7208	43,750	10 Hp 300 gpm	GIR-CL3X4-10SEH-CA	GIR-CL3X4-10SEH-SS	GIR7000H2/M6/C6, (2) 35HP

(D) ICE THICKNESS CONTROL PANEL:

Regulates ice production in the Ice Building Tank. Control Panel to consist of the following features:

- Stainless steel wall-mounted housing which is usually installed in the control panel of the ice building unit. It is easily changed but selecting the amount of ice required. You can also turn it off during periodic shutdown and save on utility costs.
- Standard controls include:
 - Ice pilot light
 - Ice inventory system, thickness adjustable



Ice Water Thickness Control Panel